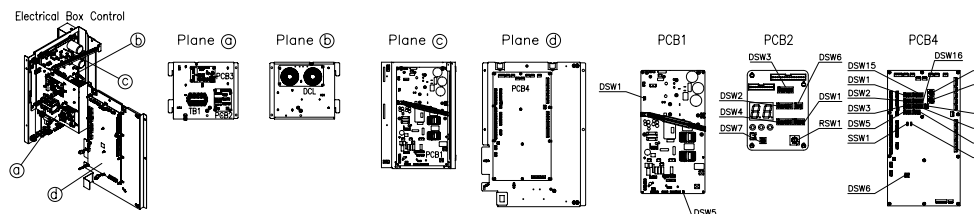
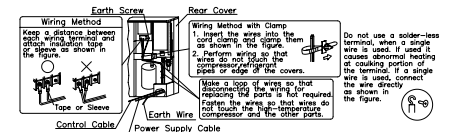
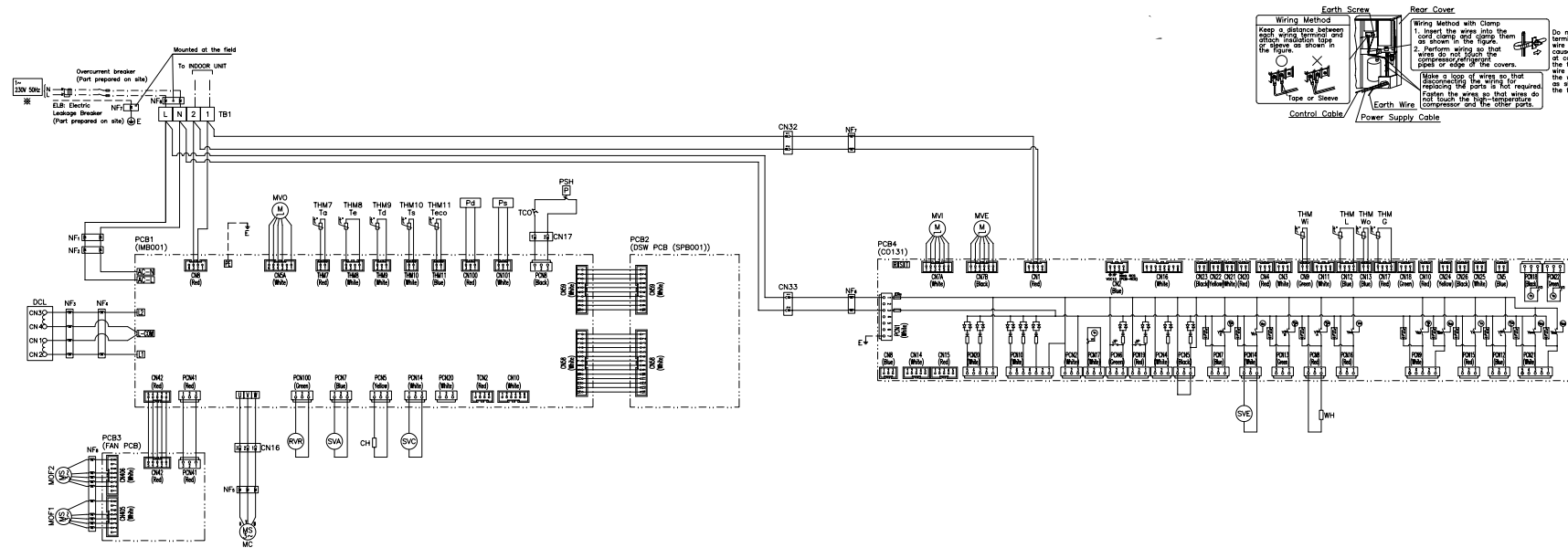
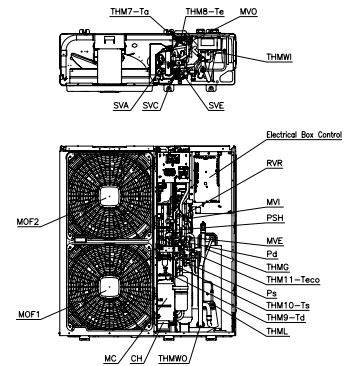


Schaltplan RASM-(4-6)VRW1E



| Mark | Part Name | Mark | Part Name |
|------------|--|-----------|--|
| CE1-3 | Terminating Connector | RSW1-1 | Dip Switch Setting of Refrigerant Cycle Module |
| CH | Crank-case Heater | RSW1-2 | Dip Switch Setting of Water Cycle Module |
| CN6-12A-3A | Aerial Connector | RVR | Solenoid 4-Way Valve |
| DCL | Reactor | SVA | Solenoid Valve |
| DSW1-7 | Dip Switch Setting of Refrigerant Cycle Module | SVC | Solenoid Valve |
| DSW18-18 | Dip Switch Setting of Water Cycle Module | SVE | Solenoid Valve |
| E | Earth Wiring | SSW1-2 | Dip Switch Setting of Water Cycle Module |
| EF#1 | Fuse (PCB) | TCO | Thermal Cut-Out |
| ELB | Earth Leakage Breaker | THM5 | Gas Pipe Thermistor |
| MC | Electric Motor (for the Compressor) | THM6 | Liquid Pipe Thermistor |
| MOF1-2 | Electric Motor (for the Outdoor Fan) | THMW | Inlet Water Thermistor |
| MVE | Electronic Control Expansion Valve | THMWI | Outlet Water Thermistor |
| MV | Electronic Control Expansion Valve | THM7-Ta | Ambient Thermistor |
| MVO | Electronic Control Expansion Valve | THM8-Te | Evaporation Thermistor |
| NF1 | Noise Filter (Printed Board) | THM9-Td | Discharge Thermistor |
| NF2-8 | Noise Filter (Ring Core) | THM10-Ts | Suction Thermistor |
| PCB1-4 | Printed Circuit Board | THM11-tea | Economizer Thermistor |
| Pd | Pressure Sensor (Discharge Side) | WH | Frozen Prevention Heater for Piping |
| Pa | Pressure Sensor (Suction Side) | | |
| PSH | High Pressure Breaker Device | | |



Factory Setting Position of Dip Switch

| Model | PCB1 | | PCB2 | | | | | PCB4 | | | | | | | | | | Local | Heat | | | | |
|-------------|------|------|------|------|------|------|------|------|------|------|------|------|------|------|------|------|-------|-------|------|-------------|------|------|------|
| | DSW1 | DSW5 | DSW1 | DSW2 | DSW3 | DSW4 | DSW6 | DSW7 | RSW1 | DSW1 | DSW2 | DSW3 | DSW4 | DSW5 | DSW6 | DSW7 | DSW18 | | | DSW15/DSW16 | RSW1 | RSW2 | SSW1 |
| RASM-4VRW1E | ☐ | ☐ | ☐ | ☐ | ☐ | ☐ | ☐ | ☐ | ☐ | ☐ | ☐ | ☐ | ☐ | ☐ | ☐ | ☐ | ☐ | ☐ | ☐ | ☐ | ☐ | ☐ | ☐ |
| RASM-5VRW1E | ☐ | ☐ | ☐ | ☐ | ☐ | ☐ | ☐ | ☐ | ☐ | ☐ | ☐ | ☐ | ☐ | ☐ | ☐ | ☐ | ☐ | ☐ | ☐ | ☐ | ☐ | ☐ | ☐ |
| RASM-6VRW1E | ☐ | ☐ | ☐ | ☐ | ☐ | ☐ | ☐ | ☐ | ☐ | ☐ | ☐ | ☐ | ☐ | ☐ | ☐ | ☐ | ☐ | ☐ | ☐ | ☐ | ☐ | ☐ | ☐ |

The side of the mark "■" indicates the dip switch position.