

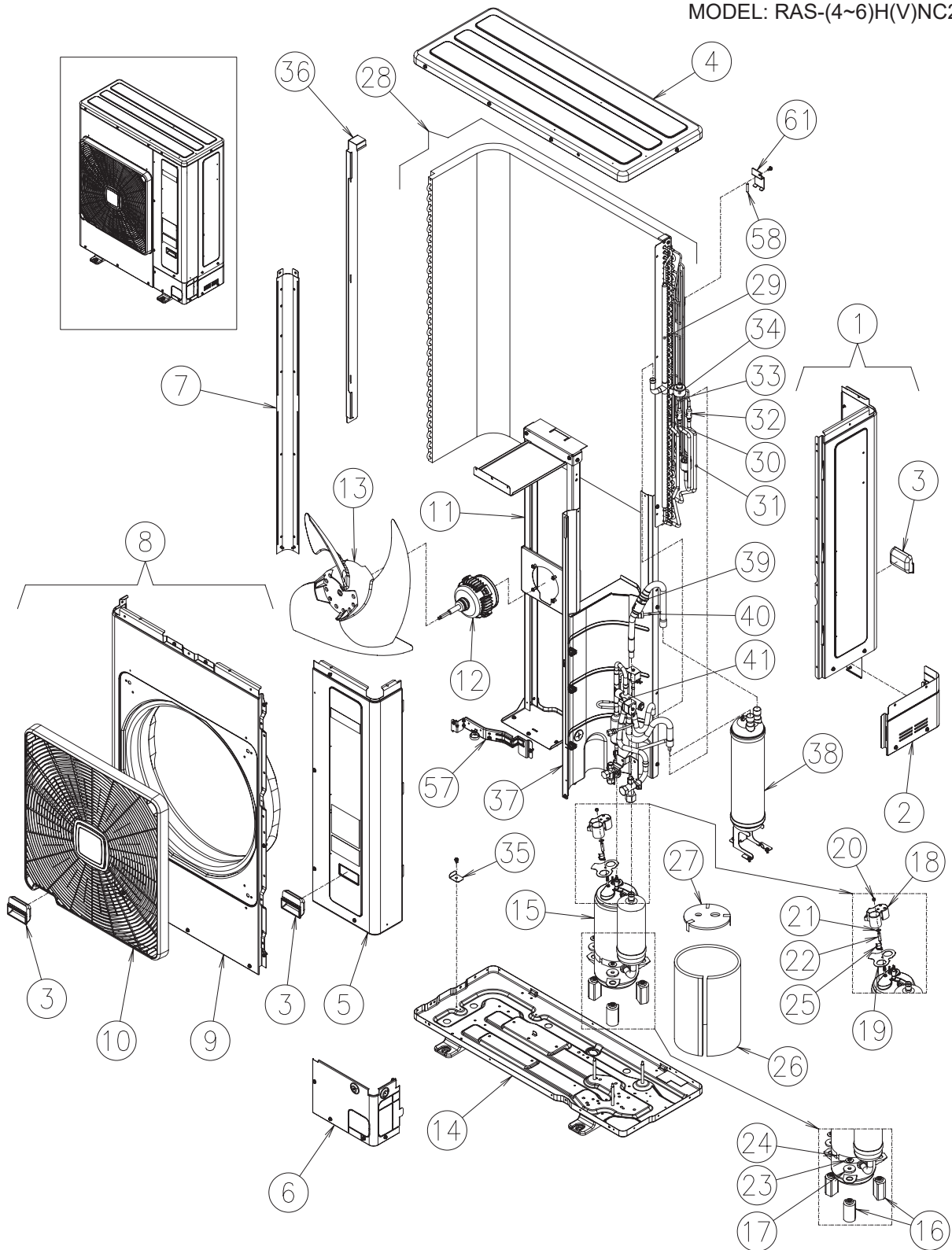
No.	DESCRIPTION	DWG No.	PART No.	MODEL NAME						REMARKS					
				Qty	Qty	Qty	Qty	Qty	Qty						
				PRODUCT CODE											
				RAS-4HVN2E, 1~ 230V 50HZ	7E305055	RAS-5HVN2E, 1~ 230V 50HZ	7E305056	RAS-6HVN2E, 1~ 230V 50HZ	7E305057	RAS-4HNC2E, 3N~ 400V 50HZ	7E305155	RAS-5HNC2E, 3N~ 400V 50HZ	7E305156	RAS-6HNC2E, 3N~ 400V 50HZ	7E305157
1	Rear Cover Assy	XEK24870 A	E03946	1	1	1	1	1	1	1	Assembly				
2	Pipe Cover B	X17C86251 A	E06480	1	1	1	1	1	1	1					
3	Handle	X17C71740 A	E01897	3	3	3	3	3	3	3					
4	Upper Cover Unit	XEK24809 A	E03947	1	1	1	1	1	1	1	Assembly				
5	Service Cover M Assy	XEK01809 G	E06858	1							Assembly				
5	Service Cover M Assy	XEK01809 H	E06859		1						Assembly				
5	Service Cover M Assy	XEK01809 J	E06860			1					Assembly				
5	Service Cover M Assy	XEK01809 K	E06861				1				Assembly				
5	Service Cover M Assy	XEK01809 L	E06862					1			Assembly				
5	Service Cover M Assy	XEK01809 M	E06863						1		Assembly				
6	S Cover B	X17B36514 A	E06481	1	1	1	1	1	1	1	Lower Service Cover				
7	Side Cover	XEK25862 B	E05542	1	1	1	1	1	1	1					
8	Shroud M Assy	XEK24805 A	E03950	1	1	1	1	1	1	1	Assembly				
9	Shroud M	17A23530 A	P29858	1	1	1	1	1	1	1	Shroud				
10	Protector Net M Assy	X17A17019 A	E02876	1	1	1	1	1	1	1	Air Outlet				
11	Clamp M Assy	XEK24895 A	E03951	1	1	1	1	1	1	1	Assembly				
12	Fan Motor	-	E06110	1	1	1	1	1	1	1	Motor+Instruction+Band				
13	Propeller Fan	X17A17362 B	E06482	1	1	1	1	1	1	1	Ø544				
14	B Base Assy	XEK26627 A	E06368	1	1	1	1	1	1	1	Assembly				
15	Compressor	XEK13303 A	E06839	1	1	1	1	1	1	1	GTH356SDPC9FQ				
16	Rubber Grommet	XEK51993 A	E06433	3	3	3	3	3	3	3					
17	F-Rubber Washer	XEK51994 A	E06434	2	2	2	2	2	2	2					
18	Terminal Cover	XEK51995 A	E06435	1	1	1	1	1	1	1					
19	Gasket	XEK51996 A	E06436	1	1	1	1	1	1	1					
20	Nut	XEK51997 A	E06437	1	1	1	1	1	1	1					
21	Rubber Washer	XEK51998 A	E06438	1	1	1	1	1	1	1					
22	Sleeve	XEK51999 A	E06439	1	1	1	1	1	1	1					
23	Special Nut	17D49475 A	P21245	2	2	2	2	2	2	2					
24	C Heater	H7C05802 B	E06311	1	1	1									
24	C Heater	XEK51781 A	E06403				1	1	1						
25	Thermal Cut-Out	XEK52610 A	E06877	1	1	1	1	1	1	1	TCO				

No.	DESCRIPTION	DWG No.	PART No.	MODEL NAME						REMARKS					
				Qty	Qty	Qty	Qty	Qty	Qty						
				PRODUCT CODE											
				RAS-4HVN2E, 1~ 230V 50HZ	7E305055	RAS-5HVN2E, 1~ 230V 50HZ	7E305056	RAS-6HVN2E, 1~ 230V 50HZ	7E305057	RAS-4HNC2E, 3N~ 400V 50HZ	7E305155	RAS-5HNC2E, 3N~ 400V 50HZ	7E305156	RAS-6HNC2E, 3N~ 400V 50HZ	7E305157
26	Acoustical Cover	XEK27265 A	E06840	1	1	1	1	1	1						
27	Acoustical Cover	XEK27338 A	E07046	1	1	1	1	1	1	Upper Cover					
28	Condenser Assy	XEK01806 B	E06841	1	1	1	1	1	1	Assembly (Heat Exchanger + 29 + 30)					
29	Header G Assy	XEK27194 A	E06842	1	1	1	1	1	1	Assembly					
30	Header L Unit	XEK27195 A	E06843	1	1	1	1	1	1	Assembly					
31	EVO Assy	XEK38218 A	E03999	1	1	1	1	1	1	Assembly					
32	Strainer	17G62701 B	P25037	2	2	2	2	2	2						
33	Expansion Valve	X17F05654 A	E05577	1	1	1	1	1	1	EVO					
34	EXPV Coil	17C78180 E	P29962	1	1	1	1	1	1	Coil for Expansion Valve					
35	Condenser Support	X17G85303 A	E02113	1	1	1	1	1	1						
36	End Plate Assy	17H19979 A	P29983	1	1	1	1	1	1						
37	Partition Plate M Assy	XEK27214 A	E06844	1	1	1	1	1	1	Assembly					
38	Accumulator	XEK27121 A	E06845	1	1	1	1	1	1	Assembly					
39	Strainer	17G55723 A	P24399	1	1	1	1	1	1						
40	Pressure SW	XEK24355 A	E03342	1	1	1	1	1	1	PSL (Low)					
41	4-Way Valve Assy	XEK13278 A	E06846	1	1	1	1	1	1	Assembly					
42	4-Way Valve	X17F18156 A	E06847	1	1	1	1	1	1	RVR					
43	Coil	X17F07261 A	E06484	1	1	1				Coil for 4-Way					
43	Coil	X17F06925 A	E05581				1	1	1	Coil for 4-Way					
44	D Pipe Assy	XEK27055 A	E06848	1	1	1	1	1	1	Assembly					
45	Check Valve	17F11142 A	P29897	1	1	1	1	1	1						
46	Silencer	17H05922 A	P28629	1	1	1	1	1	1						
47	Pressure SW	XEK22551 A	E03359	1	1	1	1	1	1	PSH (High)					
48	P-Sensor	X17B46257 A	E04508	1	1	1	1	1	1	Pd (Control)					
49	Check JA	X17C75461 A	E01160	1	1	1	1	1	1						
50	Stop Valve	XEK25610 A	E04702	1	1	1	1	1	1	For Liquid Line 3/8					
51	Stop Valve	XEK25609 A	E01512	1	1	1	1	1	1	For Gas Line 5/8					
52	Valve Stay	17G82214 A	E02111	1	1	1	1	1	1						
53	SVA Assy	XEK52371 A	E06849	1	1	1	1	1	1	Assembly					
54	Solenoid Valve	17C77098 A	P25246	1	1	1	1	1	1	SVA					
55	Coil 20	17F18240 C	P31159	1	1	1	1	1	1	Coil for Solenoid Valve					

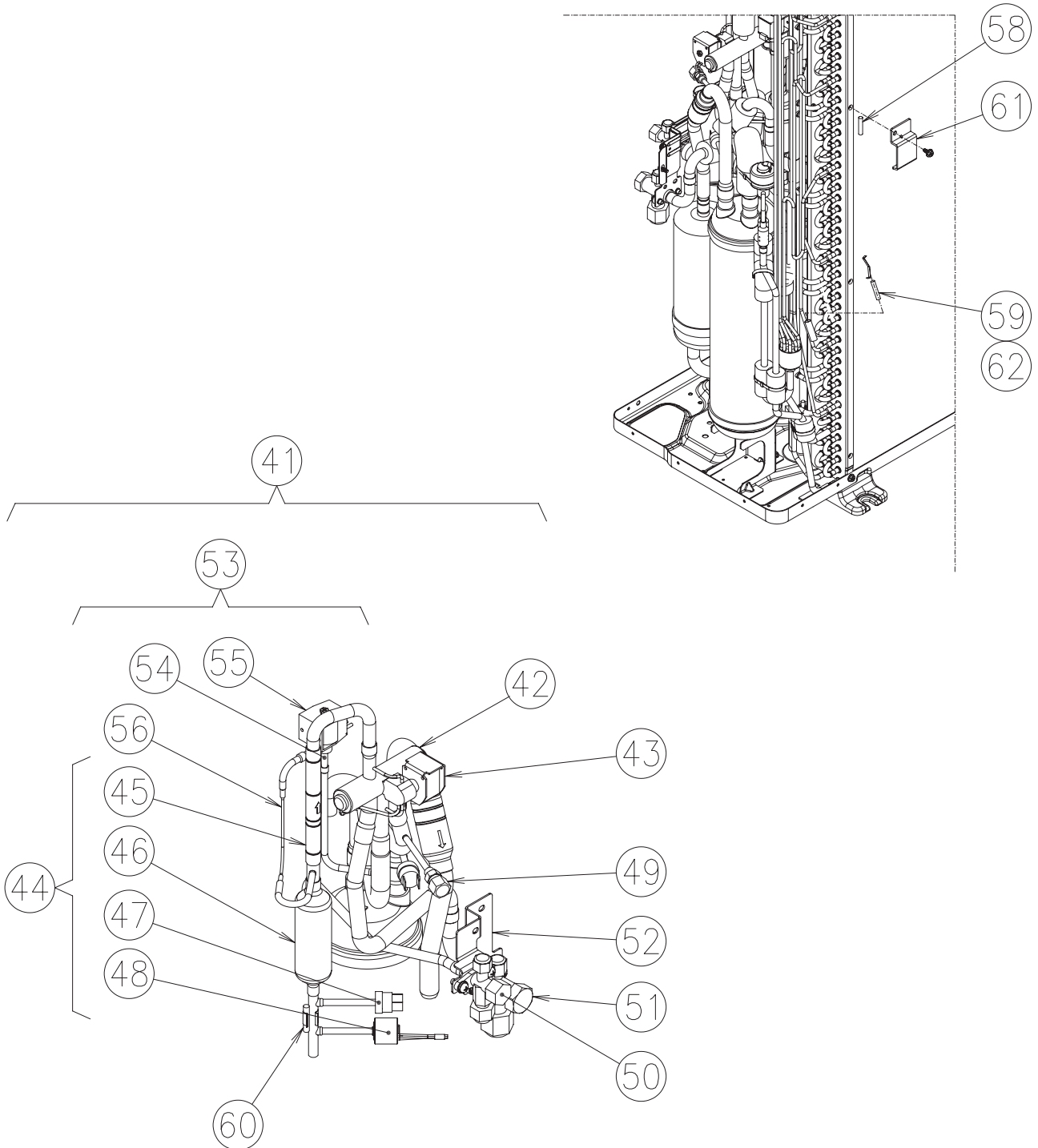
MODEL NAME		PRODUCT CODE
RAS-4HVNC2E, 1~ 230V 50HZ		7E305055
RAS-5HVNC2E, 1~ 230V 50HZ		7E305056
RAS-6HVNC2E, 1~ 230V 50HZ		7E305057
RAS-4HNC2E, 3N~ 400V 50HZ		7E305155
RAS-5HNC2E, 3N~ 400V 50HZ		7E305156
RAS-6HNC2E, 3N~ 400V 50HZ		7E305157

No.	DESCRIPTION	DWG No.	PART No.	Qty	Qty	Qty	Qty	Qty	Qty	REMARKS
56	Capillary	X17H04232 A	E06838	1	1	1	1	1	1	
57	Valve Stay	17H03600 A	E03403	1	1	1	1	1	1	
58	Thermistor Ta	XEK26942 A	E06595	1	1	1	1	1	1	For Outdoor Temp., THM7
59	Thermistor Te	XEK26452 K	E06596	1	1	1	1	1	1	For Pipe Temp., THM8
60	Kit Thermistor Td	XEK52742 A	E07000	1	1	1	1	1	1	For Discharge Gas Temp., THM9
61	TH-Plate	XEK21470 A	E01901	1	1	1	1	1	1	
62	Butyl Sheet	X17D55979 A	E06850	1	1	1	1	1	1	For Te

MODEL: RAS-(4~6)H(V)NC2E

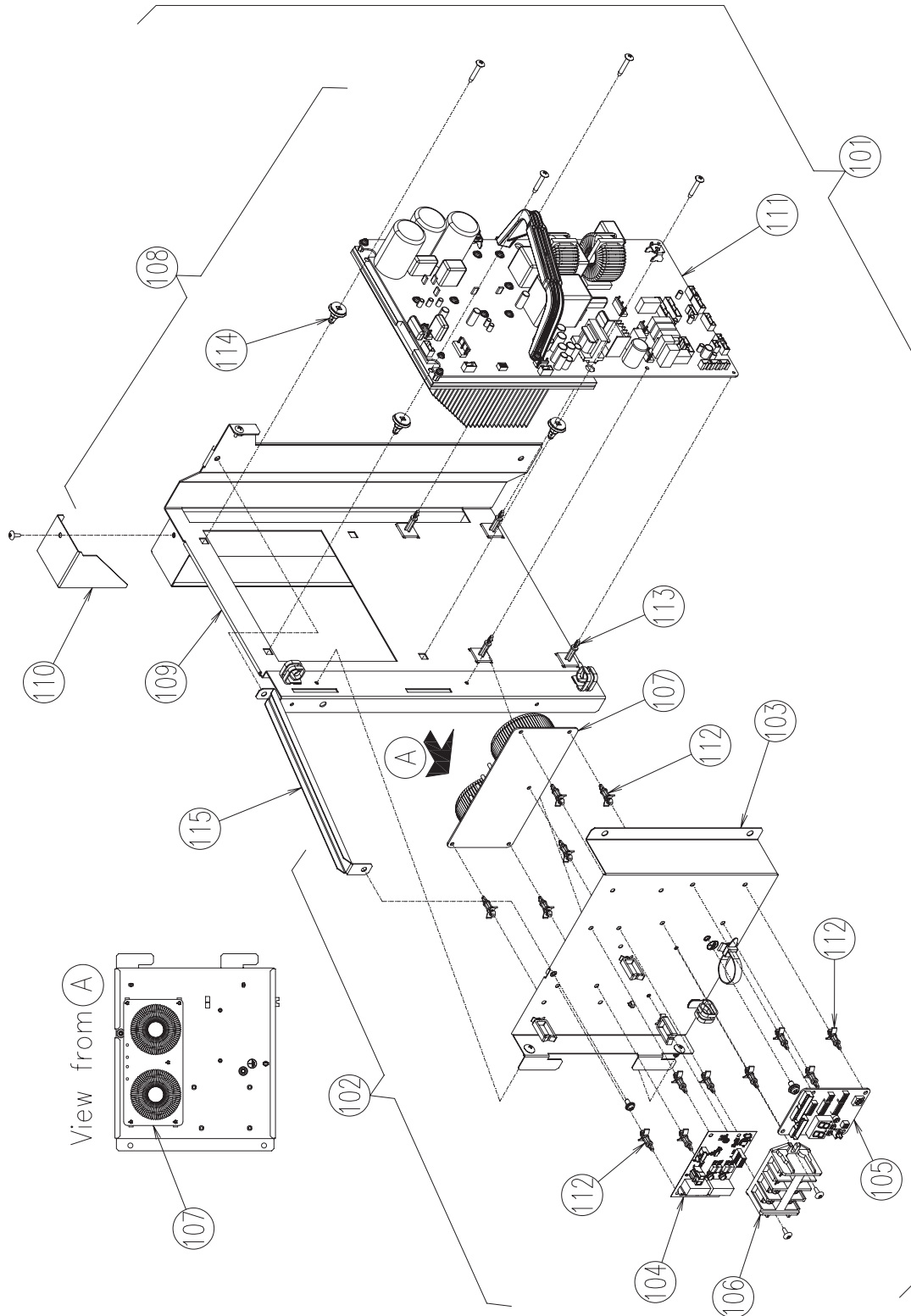


MODEL: RAS-(4~6)H(V)NC2E



No.	DESCRIPTION	DWG No.	PART No.	MODEL NAME						REMARKS
				Qty	Qty	Qty	Qty	Qty	Qty	
				PRODUCT CODE						
				RAS-4HVNC2E, 1~ 230V 50HZ	RAS-5HVNC2E, 1~ 230V 50HZ	RAS-6HVNC2E, 1~ 230V 50HZ	RAS-4HNC2E, 3N~ 400V 50HZ	RAS-5HNC2E, 3N~ 400V 50HZ	RAS-6HNC2E, 3N~ 400V 50HZ	
				7E305055	7E305056	7E305057	7E305155	7E305156	7E305157	
101	Electrical Box	XEK01821 B	E06674	1	1	1				Plate+Components+Harness
102	E-BOX PCB Unit	XEK13330 A	E06675	1	1	1				Assembly
103	E-BOX PCB Plate Assy	XEK13316 A	E06676	1	1	1				
104	Fan PCB Assy	XEK13085 A	E06329	1	1	1				PCB3
105	DSW PCB	H7C05657 A	E06310	1	1	1				PCB2
106	Terminal Board	17C74177 A	P29161	1	1	1				TB
107	Reactor	XEK26672 A	E06457	1	1	1				DCL
108	E-BOX INV Unit	XEK13125 B	E06677	1	1	1				Assembly
109	Plate INV	XEK51807 A	E06407	1	1	1				
110	E-Box Vent 2	XEK52549 A	E06836	1	1	1				
111	IMB001 Assy	-	E06678	1	1	1				PCB1
112	Spacer	XEK30992 B	E04603	13	13	13				For PCB2, PCB3, DCL
113	Spacer	XEK51615 A	E06448	4	4	4				For PCB1
114	Plastic Nut	XEK51617 A	E06449	4	4	4				For PCB1
115	Upper Support	XEK51785 A	E06406	1	1	1	1	1	1	
116	Electrical Box	XEK01738 B	E06834				1	1	1	Plate+Components+Harness
117	E-BOX PCB Unit	XEK13138 B	E06837				1	1	1	Assembly
118	E-BOX PCB Plate Assy	XEK26700 A	E06392				1	1	1	
119	PO141 Assy	XEK52640 A	E06831				1	1	1	PCB1
120	Terminal Board	XEK20967 A	E00705				1	1	1	TB
121	Noise Filter	XEK13132 A	E06349				1	1	1	NF1
122	Holder	17G07802 A	P20985				6	6	6	For NF1
123	E-BOX INV Unit	XEK13151 A	E06353				1	1	1	Assembly
124	E-BOX Plate INV Assy	XEK26699 A	E06391				1	1	1	
125	DRV180 Assy	XEK26620 A	E06226				1	1	1	PCB2
126	E-BOX Aux Unit	XEK13140 A	E06352				1	1	1	Assembly
127	E-BOX Plate Aux Assy	XEK26701 A	E06393				1	1	1	
128	PO121 Assy	17H20961 A	P29696				1	1	1	PCB3
129	Reactor Assy	17H32793 B	P31332				1	1	1	DCL
130	Spacer	XEK30992 B	E04603				12	12	12	For PCB1, PCB3

MODEL: RAS-(4~6)HVNC2E



MODEL: RAS-(4~6)HNC2E

