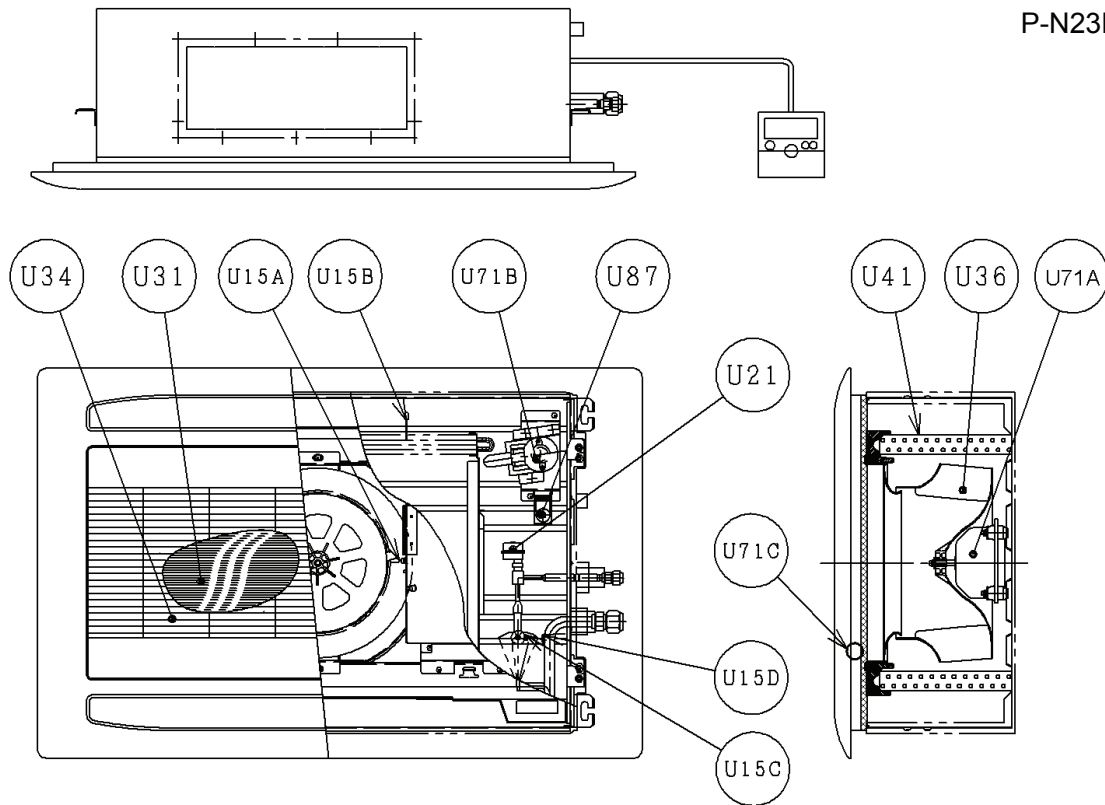


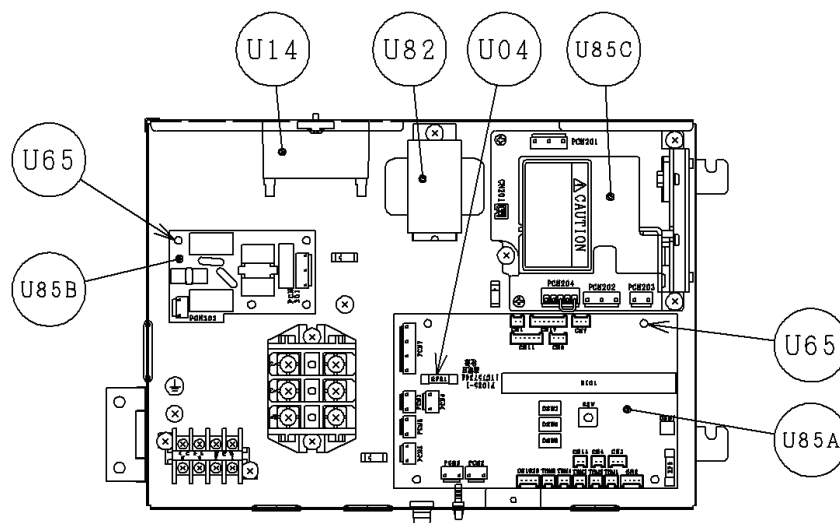


Location of Spare Parts in The Air Panel (Optional)

MODEL: RCD-1.0FSN2  
 RCD-1.5FSN2  
 RCD-2.0FSN2  
 RCD-2.5FSN2  
 RCD-3.0FSN2  
 and  
 P-N23DNA  
 P-N23DWA



Location of Electrical Equipment in The Electrical Box



D-RCD-1.0FSN2-Z, D-RCD-1.5FSN2-Z, D-RCD-2.0FSN2-Z, D-RCD-2.5FSN2-Z, D-RCD-3.0FSN2-Z