

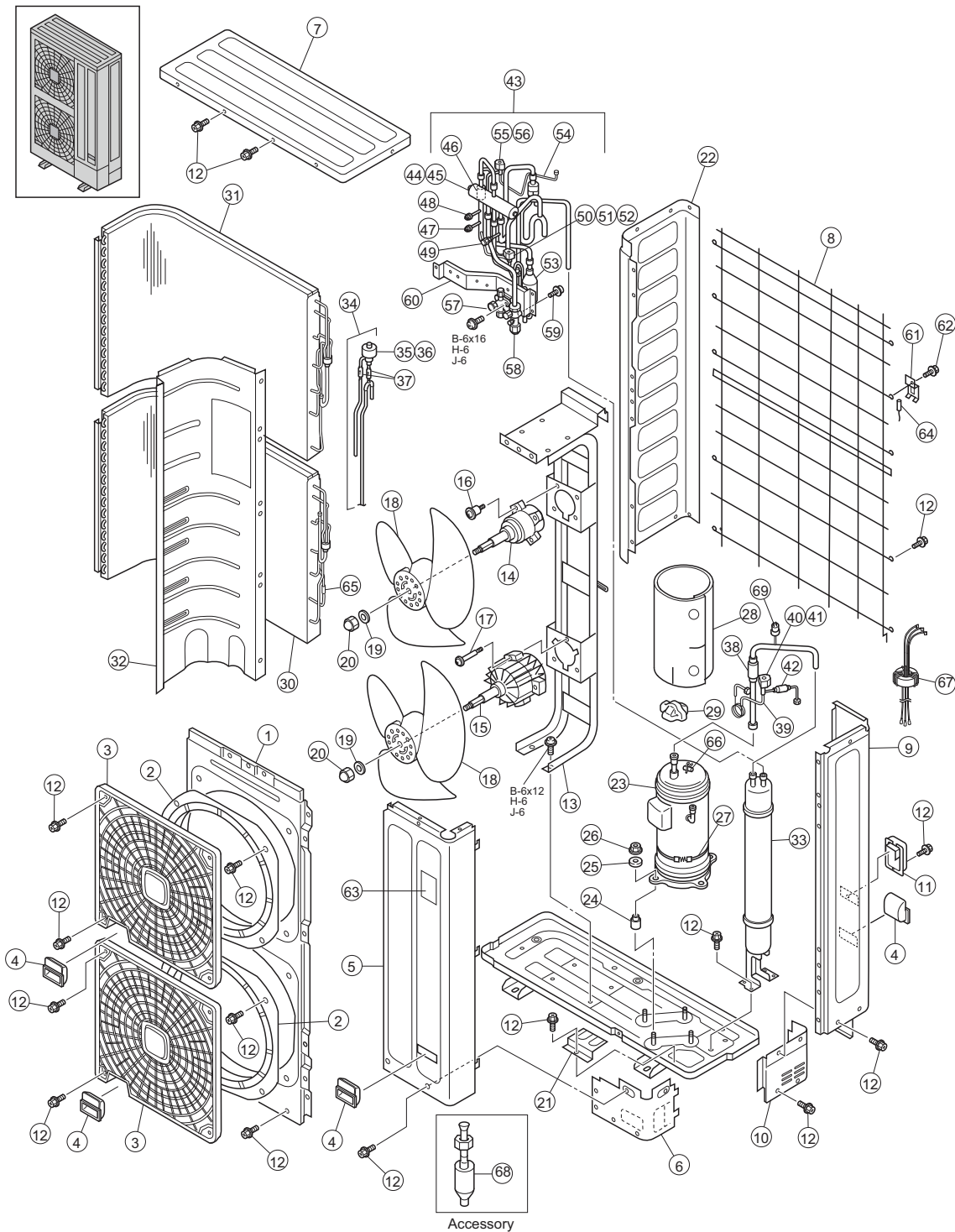
(P139Xx-01)

 Voltage
 3φ 400V/50Hz

No.	Part Name	Replacement Part		Remarks	Q'ty Per Unit	
		Draw. No.	Order No.		RAS-12HNP	RAS-12HNC
1	Cabinet Panel	17A16927A	P27206	Shroud	1	1
2	Cabinet Panel	17C87040A	P26800	Bell-mouth	2	2
3	Air Grille	17F05664A	P26799		2	2
4	Handle	17C71740A	P24391		4	4
5	Cabinet Panel	17A16929A	P27213	Service Cover	1	1
6	Cabinet Panel	17B36006A	P26810	Lower Service Cover	1	1
7	Cabinet Panel	17C85799A	P27223	Upper Cover Assy	1	1
8	Protection Net	17C85288A			1	1
9	Cabinet Panel	17C85324A	P27365	Rear Cover Assy	1	1
10	Piping Cover	17C85073A	P26811		1	1
11	H-Cover	17B27407A	P23833		1	1
12	Screw	17G84611A	P25678	M5	125	125
13	Motor Clamp	17B36052B			1	1
14	Fan Motor	17B41282J	P28637	DC138W, 8P	1	1
15	Fan Motor	17B38443A	P27314	AC200W, 6P	1	1
16	Screw	17E24234A		SUS, M6	4	4
17	Screw	17D30321H		SUS, M8	4	4
18	Propeller Fan	17A17362B	P27001	φ544	2	2
19	Washer	17D28860E	R4428		2	2
20	Closing Nut	17D50034B	P23904		2	2
21	Piping Cover	17G80593A			1	1
22	Cabinet Panel	17A16926A		Side Cover	1	1
23	Compressor	17F10196A	06954704	DA65PHD-D1SE2	1	1
24	Vibration Absorber	17D21147B	P28639		4	4
25	Vibration Absorber	17D21207A	P13109		2	2
26	Nut	17D49475A	P21245		2	2
27	Crankcase Heater	17B34124E	P27315	240V-40W	1	1
28	Soundproof Cover	17F05929A	P28661		1	1
29	Rubber Cap	17B29767A	P24397		1	1
30	Heat Exchanger	17B36195A	P26805	Lower Side	1	1
31	Heat Exchanger	17B42637A	P29151	Upper Side	1	1
32	Partition Plate	17C85173A	P29081		1	1
33	Accumulator	17F04602C	P28650		1	1
34	Expansion Valve Assy	17H09144A			1	
34	Expansion Valve Assy	17H09144B				1
35	Expansion Valve	17C78181A	P26008	SAGINOMIYA, UKV-32D28	1	1
36	Coil	17C78180A	P26009	SAGINOMIYA, UKV-U029E	1	1
37	Strainer	17G56584B	P26399		2	2
38	Strainer	17G55723A	P24399		1	1
39	Solenoid Valve Assy	17F04986A	P29152	SVF	1	1
40	Solenoid Valve	17C77098A	P25246	Nichiden Industry, SR10D	1	1
41	Coil	17C64850B	P25454	Nichiden Industry, SR10D	1	1
42	Strainer	17G62701A	P25036		1	1
43	Piping Assy	17B42618D			1	
43	Piping Assy	17B42618E				1
44	Reversing Valve	17C76060A	P26468	SAGINOMIYA, STF-0712G	1	1
45	Coil	17F07262A	P28921	SAGINOMIYA, VHV-01AP552B1	1	1
46	Check Valve	17F04056A	P28640		1	1

NOTE:

The parts without order number are the custom-ordered, and these are not mentioned in the price list.
 When ordering them, the part name and the drawing number are required.
 Contact your HITACHI distributor for the delivery date and price about them.

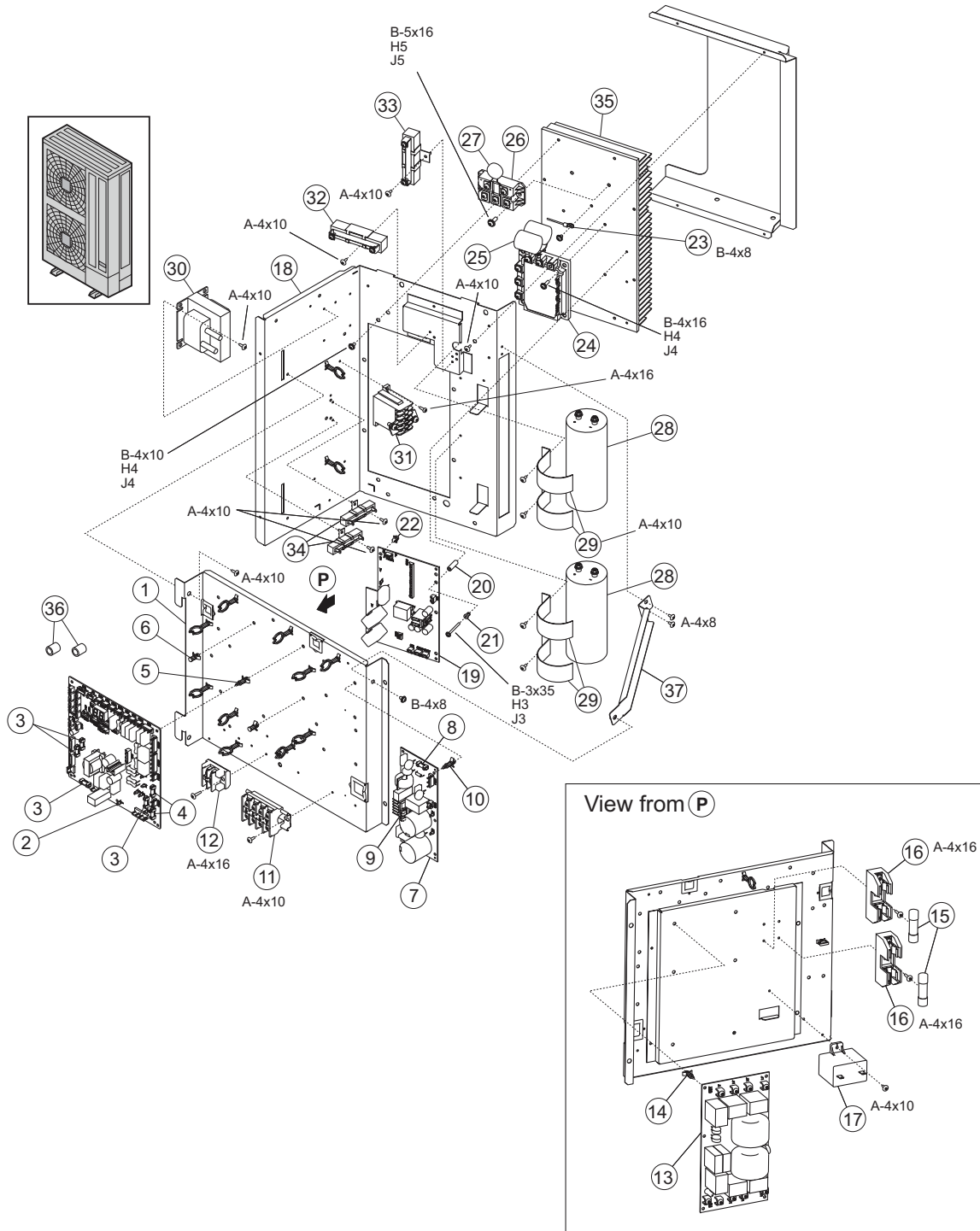


A	Truss Head Tapping Screw		F	Stud Bolt	
B	Round Head Screw		G	Nut	
C	Flat Head Screw		H	Washer	
D	Pan Head Tapping Screw		J	Spring Lock Washer	
E	Hexagon Head Bolt		K	Toothed Lock Washer	

NOTE:
The unicomated coating is applied to iron and steel material for the unspecified materials of the bolt and screw.

NOTE:

The parts without order number are the custom-ordered, and these are not mentioned in the price list. When ordering them, the part name and the drawing number are required. Contact your HITACHI distributor for the delivery date and price about them.



A	Truss Head Tapping Screw		F	Stud Bolt	
B	Round Head Screw		G	Nut	
C	Flat Head Screw		H	Washer	
D	Pan Head Tapping Screw		J	Spring Lock Washer	
E	Hexagon Head Bolt		K	Toothed Lock Washer	

NOTE:
The unicromated coating is applied to iron and steel material for the unspecified materials of the bolt and screw.

NOTE:
The parts without order number are the custom-ordered, and these are not mentioned in the price list. When ordering them, the part name and the drawing number are required. Contact your HITACHI distributor for the delivery date and price about them.