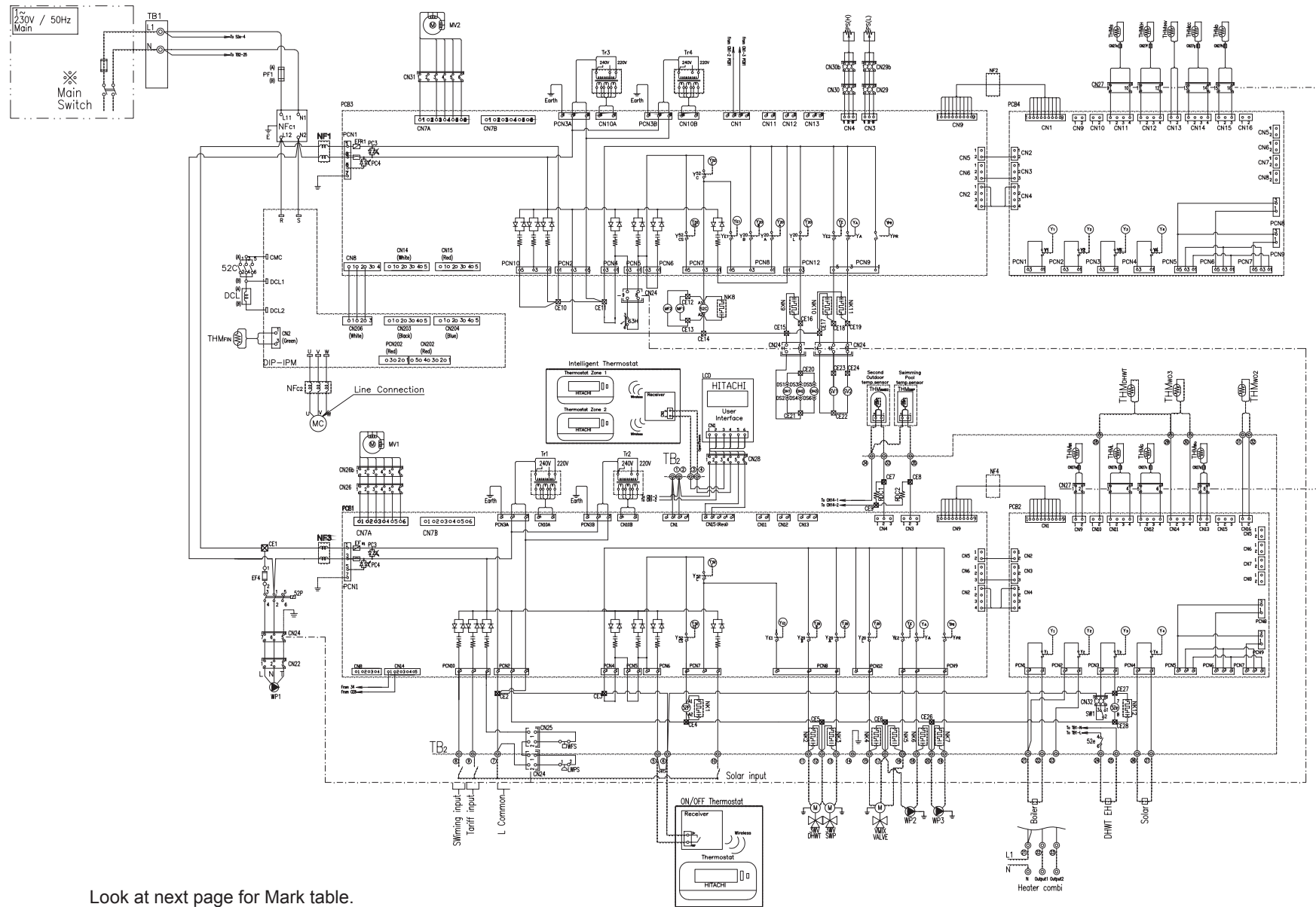
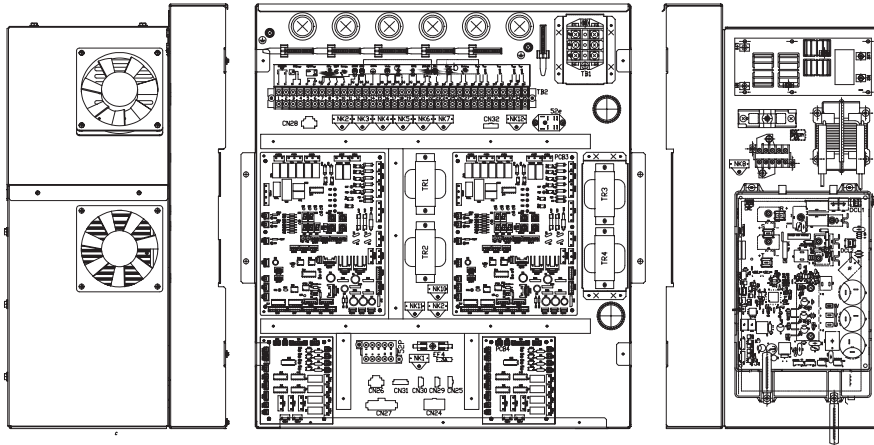


SCHALTPLAN RWH-(4.0-6.0)FSVNFE



Look at next page for Mark table.

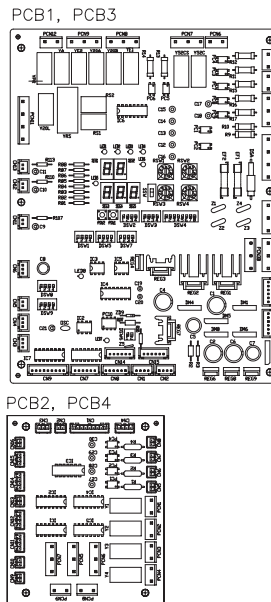
Arrangement of Electric Parts in Electrical Control Box



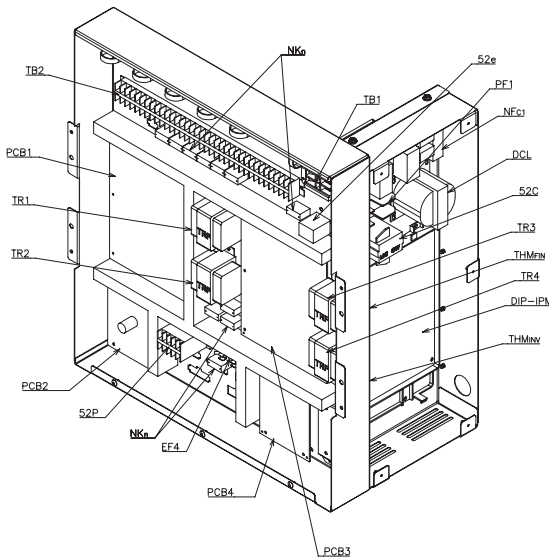
Mark Table

Mark	Part Name
TB1	Terminal Board (for Power Supply)
TB2	Terminal Board (for Control Circuit)
PCB1	Printed Wiring Board (for Main Control 1cycle)
PCB2	Printed Wiring Board (for I/O 1cycle)
PCB3	Printed Wiring Board (for Main Control 2cycle)
PCB4	Printed Wiring Board (for I/O 2cycle)
PF1	Power Fuse for Compressor
NF1	Noise Filter
RC	Ring Core
DIP-IPM	Inverter Module
52C	Contactors (for Compressor)
DCL	Reactor
MC	Motor (for Compressor)
CF 1-28	Connector (Terminating Connector)
CN26, 29, 30b	Connector
CN24-31, 22	Connector
MV 1-2	Electrical Expansion Valve
TR1-4	Transformers
PS (H)	High Pressure Sensor
PS (L)	Low Pressure Sensor
THMs	Thermistor (for Suction Gas Temperature)
THMFi	Thermistor (for Evaporating Gas Temperature)
THMIn	Thermistor (for ambient F.R.OX Inv. temperature)
THMfc	Thermistor (for Liquid refrigerant Temperature)
THMo	Thermistor (for Discharge Gas Temperature)
THMwi	Thermistor (for Inlet Water Temperature)
THMli	Thermistor (for liquid pipe temperature)
THMe	Thermistor (for Gas pipe temperature)
THMwo	Thermistor (for Outlet Water Temperature)
THMFn	Thermistor (for Inverter FIN Temperature)
NK1-12	Noise Killer
OH1, 2, 3	Oil Heater
SV1, 2	Solenoid Valve
MF1, 2	Fan inverter E.BOX
63H	High Pressure Switch
LCD	User interface LCD
RD1-2	Resistance
WFS	Water flow switch
LWPS	Low water pressure switch
WP	Water Pump
EF4	Fuse Pump
52P	Relay (for Pump)
52e	Relay (for Domestic Hot Water Heater)
E	Earth
SW1	Switch 1 (for DHWT Heater manual operation)
DSWn	Dip-switch setting
EFR1	Fuse
EF51	Fuse
RSW 1-2	Refrigerant Cycle n*
RSW 3-4	Indoor Unit no. Settings
SEG 1-5	Seven segments indication
Y52 cs	Relay for Water Pump (WP)
Y20b	Relay for 3 way valve DHWT
Y20a	Relay for 3 way valve SWP
Y20c	Relay for Mixing valve left
Y22	Relay for Mixing valve right
Y1	Relay for Water Pump 2
Y1b	Relay for Water Pump 3
Y1	Relay for Boiler/Heater combination
Y2	Relay for Heater combination
Y3	Relay for DHWT Electrical Heater
Y4	Relay for Solar combination
Y52 c	Relay for Inverter 2 cycle
Y20c	Relay for Oil Heater
Y22	Relay for Solenoid Valve 1
Y1	Relay for Solenoid Valve 1
⊙	Terminals
⊗	Close-end Connector
*	Field Supplied
---	Field Wiring
---	Earth Wiring
---	Factory Wiring

PCBs Sockets location



Location of main parts of electrical box



Location of main parts

