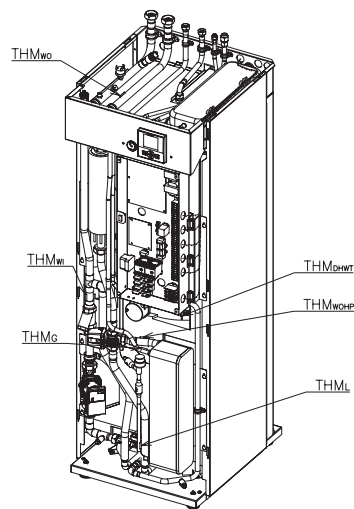
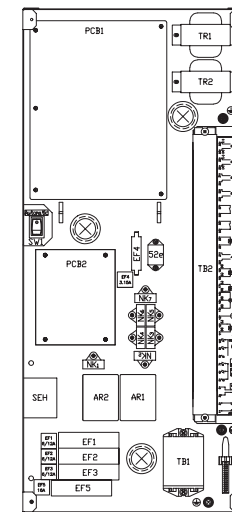


Mark Table

Mark	Part Name	Mark	Part Name
AR1	Contactor heater step	THM _{DHW}	DHWT water thermistor
AR2	Contactor heater step	THM _{Wout}	Water Outlet PHEX
SEH ₁	Thermostat Heater	THM _{Amb2}	Ambient 2 Thermistor
CN22-24,24	Connector	THM _{C2}	Outlet C2 water Thermistor
DSW ₁	Dip-switch setting	THM _{Boil}	Outlet Boiler water Thermistor
LCD	User interface LCD	THM _{SP}	Swimming Pool Thermistor
3WV	3 Way Valve DHWT	TR1,2	Transformers
EF1	Fuse	WP1	Water pump
EF3	Fuse	S2e	Relay
EF123	Fuse heater (6A/12A)	SW1	Switch 1 (DHW)
EF4	Fuse pump (3.15A)	CE3-12	Connector
EF5	Fuse tank Heater (16A)	Y52 ₁	Relay for electrical heater
EH123	Electrical heater (3kW/6kW)	Y ₁	Relay for electrical heater
EH ₁	Electrical Heater Tank (2,7kW-3kW)	Y ₂₀	Relay for solenoid valve DHWT
LED1-4	LEDs indication	Y _{20a}	Relay for 3 way valve SWP (N/A)
LWPS	Low water pressure switch	Y _{20c}	Relay for Mixing valve Close
EV1	Electrical Exp. Valve	Y ₁₂	Relay for Mixing valve Open
NK1-2	Spark killer	Y ₁	Relay for Water Pump 2
PCB1-2	Printed Circuit Board	Y ₂₀	Relay for Water Pump 3
RDC1,2,3	Resistor (220Ω)	Y ₁	Relay for water pump 1
RDC4	Resistor (10KΩ)	Y ₂	Relay for boiler combination
RSW1-2	Refrigerant cycle n°	Y ₂	Relay for DHWT Electrical Heater
RSW ₁	Indoor unit no. settings	Y ₂	Relay for DHW circulation
SEC1-4	Seven segments indication	⊙	Terminals
TB1-2	Terminal Board	-□-	Close-end connector
THM _W	Inlet water thermistor	⊗	Field supplied
THM _{Wout}	Outlet water thermistor	-.-.-	Field wiring
THM _G	Gas pipe thermistor	---	Earth wiring
THM _L	Liquid pipe thermistor space	---	Factory wiring

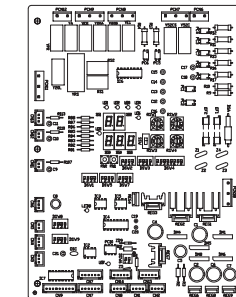


Electrical Control Box



PCBs Sockets location

PCB1



PCB2

