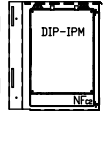
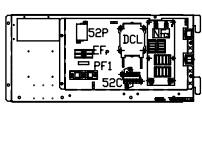
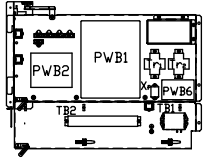
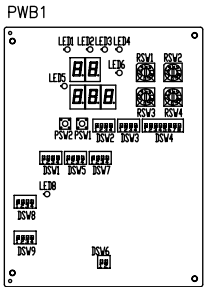
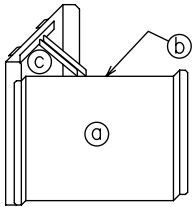
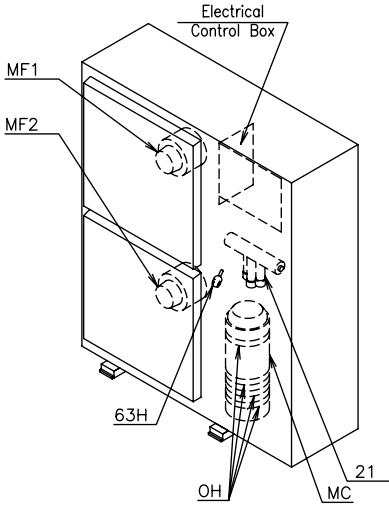


- : Factory Wiring
- - - : Earth Wiring
- · - · : Field Wiring
- * : Field-Supplied

RHUE3~6AVHN-HM

Electrical Control Box



Plane (a)

Plane (b)

Plane (c)

Mark	Name
MC	Motor (for Compressor)
MF1,2	Motor (for Fan)
52C	Contactator (for Compressor)
PF ₁	Power fuse for Compressor
63H	High pressure switch
OH _{1,2,3,4}	Oil heater
PWB1	Printed wiring board (for main control)
PWB2	Printed wiring board (for I/O)
PWB6	Printed wiring board (for system controller)
DCL	Reactor
DIP-IPM	Inverter module
NF _{1,2,C2}	Noise filter
NF _{C1}	Noise filter
NK ₁₋₅	Noise filter
EF _{R1}	Fuse for control circuit
Tr ₁₋₂	Transformer
TB ₁	Terminal board (for power supply, H-Link)
TB ₂	Terminal board (for control circuit (1) to (20))
20G	Soleoid valve (for hot gas by-pass)
20I	Solenoid valve (for liquid injection)
21	Magnetic 4-way valve
MV, MVC	Electrical expansion valve
WH	Frozen prevention heater for piping
CS	Changeover switch
DSW1~9	Dip switch on PWB1
BS _{ON}	Push button switch (for starting)
BS _{OFF}	Push button switch (for stoppage)
THM _{Wi}	Thermistor (for inlet water temperature)
THM _{Wo}	Thermistor (for outlet water temperatue)
THM _d	Thermistor (for discharge gas temperature)
THM _{eh}	Thermistor (for evaporating gas temperature)
THM _{ec}	Thermistor (for liquid refrigerant temperature)
THM _s	Thermistor (for suction gas temperature)
THM _a	Thermistor (for ambient temperature)
PS(H)	High pressure sensor
PS(L)	Low pressure sensor
CE ₁₋₁₄	Connector (terminating connector)
CE ₂₁₋₃₀	Connector (Terminating connector)
DS ₁₋₁₀	Connector (Relay connector)
R _{DC}	Resistance (for 4-20mADC Signal)
MP	Motor (for Pump)
52P	Contactator (for Pump)
EF _P	Power fuse for Pump
X _P	Auxiliary relay
E	Earth
BSR _{ON}	Push button switch (for starting)
BSR _{OFF}	Push button switch (for stoppage)
RL, OL	Pilot lamp