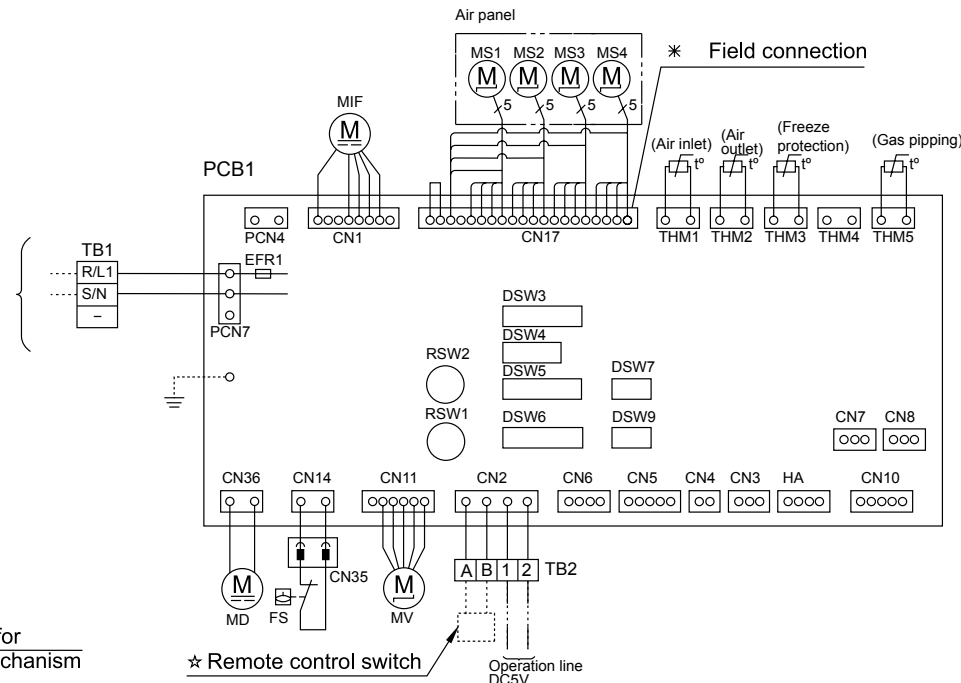


# Schaltplan RCIM-(0.6-2.5)FSN4

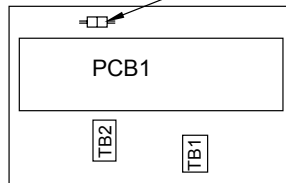
- 1N~ 230V / 50 Hz (3N~)
- 1N~ 220-240V / 50 Hz (3N~)
- 1N~ 220V / 60 Hz (3N~)
- 1~ 220V / 60 Hz (3~)



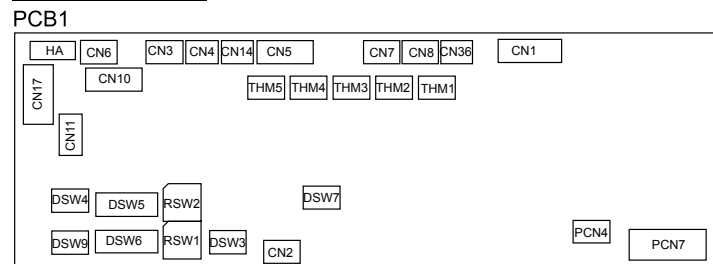
- : Factory wiring
- - - : Earth wiring
- : Field wiring
- \* : Field connection
- ☆ : Optional parts

Electrical control box of indoor unit

Service connector for drain discharge mechanism



Printed circuit board



Mark	Name
CN3	Optional connector (for signal input)
CN7, 8	Optional connector (for signal output)
CN10	Optional connector (for motion sensor)
DSW3, 4, 7, 9	Dip Switch for setting
EFR1	Fuse
MIF	Motor for indoor fan
MS	Motor for automatic swing louver
MV	Micro computer control expansion valve
PCB1	Printed circuit board
RSW1	Rotary switch for unit N° setting (Ones digit)
DSW6	Dip switch for unit N° setting (Tens digit)
RSW2	Rotary switch for refrigerant cycle N° setting (Ones digit)
DSW5	Dip switch for refrigerant cycle N° setting (tens digit)
TB1,2	Terminal block
THM1~3, 5	Thermistor
THM4	Optional connector (for remote temperature sensor)
CN4~6, HA, PCN4	Reserved connector on PCB