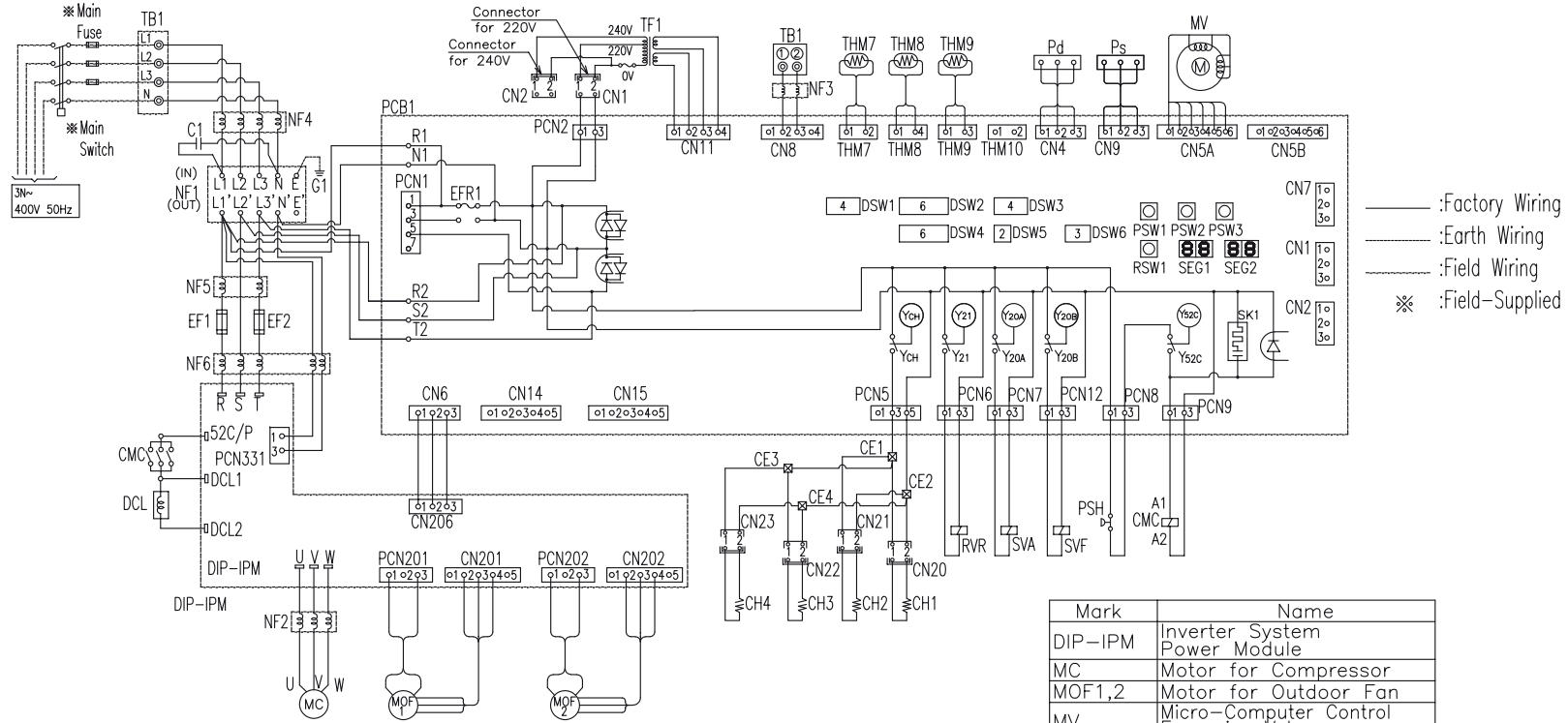
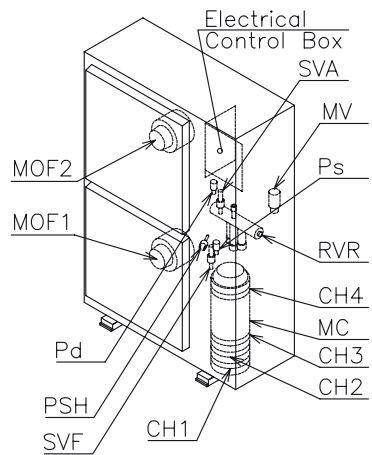


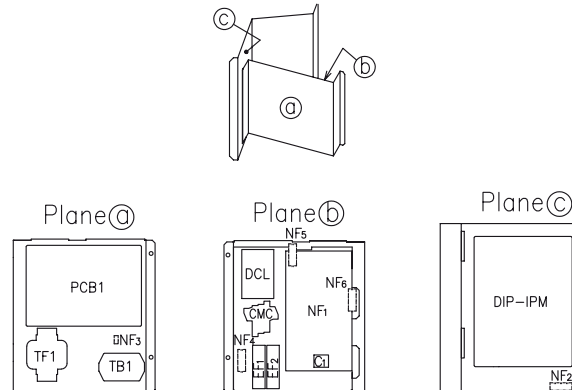
SCHALTPLAN RAS-(4-6)FSNY2E



- :Factory Wiring
- :Earth Wiring
- :Field Wiring
- ※ :Field-Supplied



Electrical Control Box



| Mark | Name |
|---------|--|
| DIP-IPM | Inverter System Power Module |
| MC | Motor for Compressor |
| MOF1,2 | Motor for Outdoor Fan |
| MV | Micro-Computer Control Expansion Valve |
| NF1~6 | Noise Filter |
| PCB | Printed Circuit Board |
| PSH | High Pressure Switch for Protection |
| Pd,Ps | Sensor for Refrigerant Pressure |
| PSW1~3 | Push Switch on PCB1 |
| RVR | Reversing Valve Relay |
| SVA,SVF | Solenoid Valve |
| TB1 | Terminal Board |
| TF1 | Transformer |
| THM | Thermistor for Fin Temperature |
| THM7~9 | Thermistor |
| ZNR | Surge Absorber |
| C1 | Capacitor |
| CH | Crankcase Heater |
| CMC | Contactor for Compressor Motor |
| DCL | Reactor |
| DSW1~6 | Dip Switch on PCB1 |
| EF1,2 | Fuse |