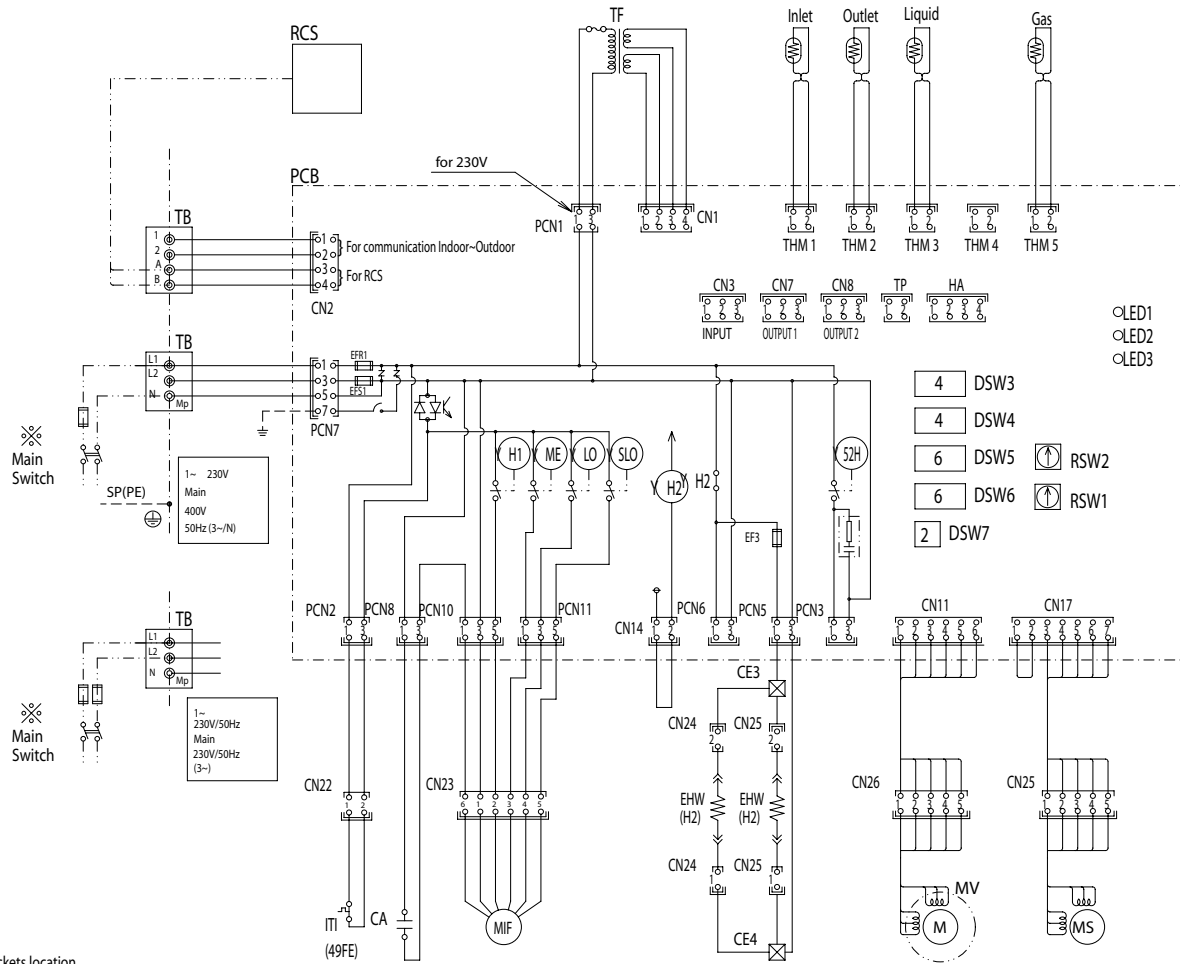


# SCHALTPLAN RPC-(2.0-6.0)FSN2E



LED1  
LED2  
LED3

- 4 DSW3
- 4 DSW4
- 6 DSW5
- 6 DSW6
- 2 DSW7

Mark	Part Name	Remarks
CA	Capacitor for Indoor Fan	
CN 21-26	Connector	
DSW 3	Unit Capacity Code	On PCB
DSW 4	Model	On PCB
DSW 5	Refrigerant Cycle n?	On PCB
DSW 6	Unit Code	On PCB
DSW 7	Fuse Recover / Remote Controller Selector	On PCB
EFR1	Fuse	On PCB
EFS1	Fuse	On PCB
EHW(H2)	Electric Heater for Condensate Air Protection	
FS	Float Switch	
ITI	Internal Thermostat for Indoor Fan Motor	
MD	Motor for Drain Discharge Mechanism	
MIF	Motor for Indoor Fan	
MS	Motor for Automatic Swing Louver	
MV	Expansion Valve	
LED 1-3	Alarm Code	On PCB
PCB	Printed Circuit Board	
RCS	Remote Control Switch	Optional Part
RSW 1	Indoor Unit no. Settings	On PCB
RSW 2	Refrigerant Cycle n°	On PCB
SA	Surge Absorber	
TB	Terminal Board	
TF	Transformer	
THM 1	Inlet Air Thermistor	On PCB
THM 2	Outlet Air Thermistor	On PCB
THM 3	Liquid Pipe Thermistor	On PCB
THM 5	Gas Pipe Thermistor	On PCB
Y H1	Relay for Drain Motor	DC Coil
Y H2	Relay for HI Fan Motor Tap	DC Coil
Y ME	Relay for ME Fan Motor Tap	DC Coil
Y LO	Relay for LO Fan Motor Tap	DC Coil
Y SLO	Relay for SLO Fan Motor Tap	DC Coil
Y SLO	Relay for Electric Heater	DC Coil
⊙	Terminals	
⊗	Close-end Connector	
⊗	Field Supplied	
---	Field Wiring	
---	Earth Wiring	
---	Factory Wiring	

PCB Sockets location

