

No.	DESCRIPTION	DWG No.	PART No.	MODEL NAME										REMARKS				
				Qty	Qty	Qty	Qty	Qty	Qty	Qty	Qty	Qty	Qty					
				PRODUCT CODE														
				RWD-2.0NRWE-260S,1~230V 50Hz	7E483052													
				RWD-2.0NRWE-260S-K,1~230V 50Hz	7E483251													
				RWD-2.0NRWSE-260S,1~230V 50Hz	7E483342													
				RWD-2.5NRWE-260S,1~230V 50Hz	7E483053													
				RWD-2.5NRWE-260S-K,1~230V 50Hz	7E483252													
				RWD-2.5NRWSE-260S,1~230V 50Hz	7E483343													
				RWD-3.0NRWE-260S,1~230V 50Hz	7E483054													
				RWD-3.0NRWE-260S-K,1~230V 50Hz	7E483253													
				RWD-3.0NRWSE-260S,1~230V 50Hz	7E483344													
No.	DESCRIPTION	DWG No.	PART No.	Qty	Qty	Qty	Qty	Qty	Qty	Qty	Qty	Qty	Qty	Qty	Qty	Qty	Qty	REMARKS
1	Foot	XEK38993 A	E04869	4	4	4	4	4	4	4	4	4	4	4	4	4	4	
2	Water Tank 260L SC	-	E04967	1	1		1	1		1	1							(Water Tank + Instruction Sheet)
2	Water Tank 260L solar	XEK01472 A	E04968			1			1									
2-1	Tank Heater	XEK51792 A	E04088	1	1	1	1	1	1	1	1	1	1	1	1	1	1	(Tank Heater + Thermostat + O-Ring)
	O-Ring	XEK51544 A	E06116	1	1	1	1	1	1	1	1	1	1	1	1	1	1	(Only O-Ring for Tank Heater sealing)
2-2	Bottom tank flange	XEK39955 A	E04768			1			1									
3	Front Insulation	XEK12322 A	E04066	1	1	1	1	1	1	1	1	1	1	1	1	1	1	
4	Back Insulation	XEK12321 A	E04067	1	1	1	1	1	1	1	1	1	1	1	1	1	1	
5	Th Insulation	XEK24863 A	E04068	1	1	1	1	1	1	1	1	1	1	1	1	1	1	
6	Expansion Vessel (6 L)	XEK25338 A	E04893	1	1	1	1	1	1	1	1	1	1	1	1	1	1	
7	Flexible Pipe	XEK24724 G	E04048	1	1	1	1	1	1	1	1	1	1	1	1	1	1	for Vessel connection.
8	Phex Unit	XEK25517 A	E05007	1	1	1												Assembly.
8	Phex Unit	XEK25517 B	E05008				1	1	1									Assembly.
8	Phex Unit	XEK25517 C	E05009							1	1	1						Assembly.
8-1	Plate Hex	XEK25315 A	E04974	1	1	1												
8-1	Plate Hex	XEK25315 B	E04975				1	1	1									
8-1	Plate Hex	XEK25315 C	E04896							1	1	1						
8-2	Expansion Valve Assy	XEK39560 A	E05942	1	1	1												(Exp.Valve + Pipes + Strainers + Silencer)
	Expansion Valve	X17F04391 A	E03076	1	1	1												
8-2	Expansion Valve	X17F04392 A	E03077				1	1	1	1	1	1	1	1	1	1	1	
8-3	Strainer	17G62700 A	P25041	2	2	2	2	2	2	2	2	2	2	2	2	2	2	
9	Union	XEK38176 A	E04073	2	2	2	2	2	2	2	2	2	2	2	2	2	2	
10	Union	27JR1717	E02488	1	1	1	1	1	1	1	1	1	1	1	1	1	1	Gas connection.
11	Flare Nut	25JR1700	E02490	1	1	1	1	1	1	1	1	1	1	1	1	1	1	Gas connection.
12	Union	27JR0609	E02935	1	1	1												Liquid connection.
12	Union	27JR0913	E02487				1	1	1	1	1	1	1	1	1	1	1	Liquid connection.
13	Flare Nut	25JR0600	E02936	1	1	1												Liquid connection.
13	Flare Nut	25JR0900	E02489				1	1	1	1	1	1	1	1	1	1	1	Liquid connection.
14	Pump	XEK26262 A	E04894	1	1	1	1	1	1	1	1	1	1	1	1	1	1	
15	E-Heater Unit	XEK26315 A	E06195	1	1	1	1	1	1	1	1	1	1	1	1	1	1	

No.	DESCRIPTION	DWG No.	PART No.	MODEL NAME										REMARKS	
				Qty	Qty	Qty	Qty	Qty	Qty	Qty	Qty	Qty	Qty		
				PRODUCT CODE											
				7E483052											
				7E483251											
				7E483342											
				7E483053											
				7E483252											
				7E483343											
				7E483054											
				7E483253											
				7E483344											
				RWD-2.0NRWE-260S,1~ 230V 50Hz											
				RWD-2.0NRWE-260S-K,1~ 230V 50Hz											
				RWD-2.0NRWSE-260S,1~ 230V 50Hz											
				RWD-2.5NRWE-260S,1~ 230V 50Hz											
				RWD-2.5NRWE-260S-K,1~ 230V 50Hz											
				RWD-2.5NRWSE-260S,1~ 230V 50Hz											
				RWD-3.0NRWE-260S,1~ 230V 50Hz											
				RWD-3.0NRWE-260S-K,1~ 230V 50Hz											
				RWD-3.0NRWSE-260S,1~ 230V 50Hz											
16	Gasket	XEK36144 B	E03832	8	8	8	8	8	8	8	8	8	8	8	for Pump, E-Heater and Shutdown Valves connections.
17	Filter Ball	XEK25346 A	E04897	1	1	1	1	1	1	1	1	1	1	1	
17-1	Filter	XEK39398 A	E04898	1	1	1	1	1	1	1	1	1	1	1	
17-2	Seeger	XEK39399 A	E04899	1	1	1	1	1	1	1	1	1	1	1	
18	Gasket	XEK36397 A	E02528	7	7	7	7	7	7	7	7	7	7	7	for FilterBall, 3-Way Valve and Tank Coil connections.
19	3 Way Valve	XEK37272 A	E03271	1	1	1	1	1	1	1	1	1	1	1	
20	Gasket	XEK36397 C	E04052	2	2	2	2	2	2	2	2	2	2	2	for Tank Water In/Out connections.
21	Security Valve	XEK37800 A	E02475	1	1	1	1	1	1	1	1	1	1	1	
22	Gasket	XEK36144 D	E04873	1	1	1	1	1	1	1	1	1	1	1	for Union to Security Valve connection.
23	Union	XEK36303 A	E02507	1	1	1	1	1	1	1	1	1	1	1	
24	Drain Pipe	XEK36103 A	E02546	1	1	1	1	1	1	1	1	1	1	1	
25	Air Purge	XEK38252 A	E04040	1	1	1	1	1	1	1	1	1	1	1	
26	Pressure Switch	XEK51636 C	E06306	1	1	1	1	1	1	1	1	1	1	1	
27	Gasket	XEK39368 A	E05017	1	1	1	1	1	1	1	1	1	1	1	for Pressure Switch connection.
28	Lcd Support	XEK26519 A	E06197	1	1	1	1	1	1	1	1	1	1	1	
29	Remote Controller Assy	XEK39322 A	E04960	1	1	1	1	1	1	1	1	1	1	1	
30	Manometer	XEK39269 A	E05014	1	1	1	1	1	1	1	1	1	1	1	
31	E-Box Cover Assy	XEK39518 A	E05021	1	1	1	1	1	1	1	1	1	1	1	Plate + Labels
32	P-Spring	17G27651 B	E02549	1	1	1	1	1	1	1	1	1	1	1	
33	P-Spring	17G27651 C	E02550	1	1	1	1	1	1	1	1	1	1	1	
34	P-Spring	17G31457 D	E01193	3	3	3	3	3	3	3	3	3	3	3	
35	Handle	X17C71740 A	E01897	2	2	2	2	2	2	2	2	2	2	2	
36	Mini Valve	XEK38297 A	E04069	1	1	1	1	1	1	1	1	1	1	1	
37	Gasket	XEK36144 A	E02497	3	3	3	3	3	3	3	3	3	3	3	for Mini Valve, Seal Nut and Vessel connections.
38	Upper Cover	XEK25533 A	E05013	1	1	1	1	1	1	1	1	1	1	1	
39	Service Cover Assy	XEK25531 A	E05012	1	1	1	1	1	1	1	1	1	1	1	Assembly.
40	Lcd Frame	XEK12635 A	E04955	1	1	1	1	1	1	1	1	1	1	1	
41	Yutaki Label	XEK39388 A	E04944	1	1	1	1	1	1	1	1	1	1	1	
42	Gasket	XEK36144 E	E04954	2	2	2	2	2	2	2	2	2	2	2	for DHWT In/Out connections.

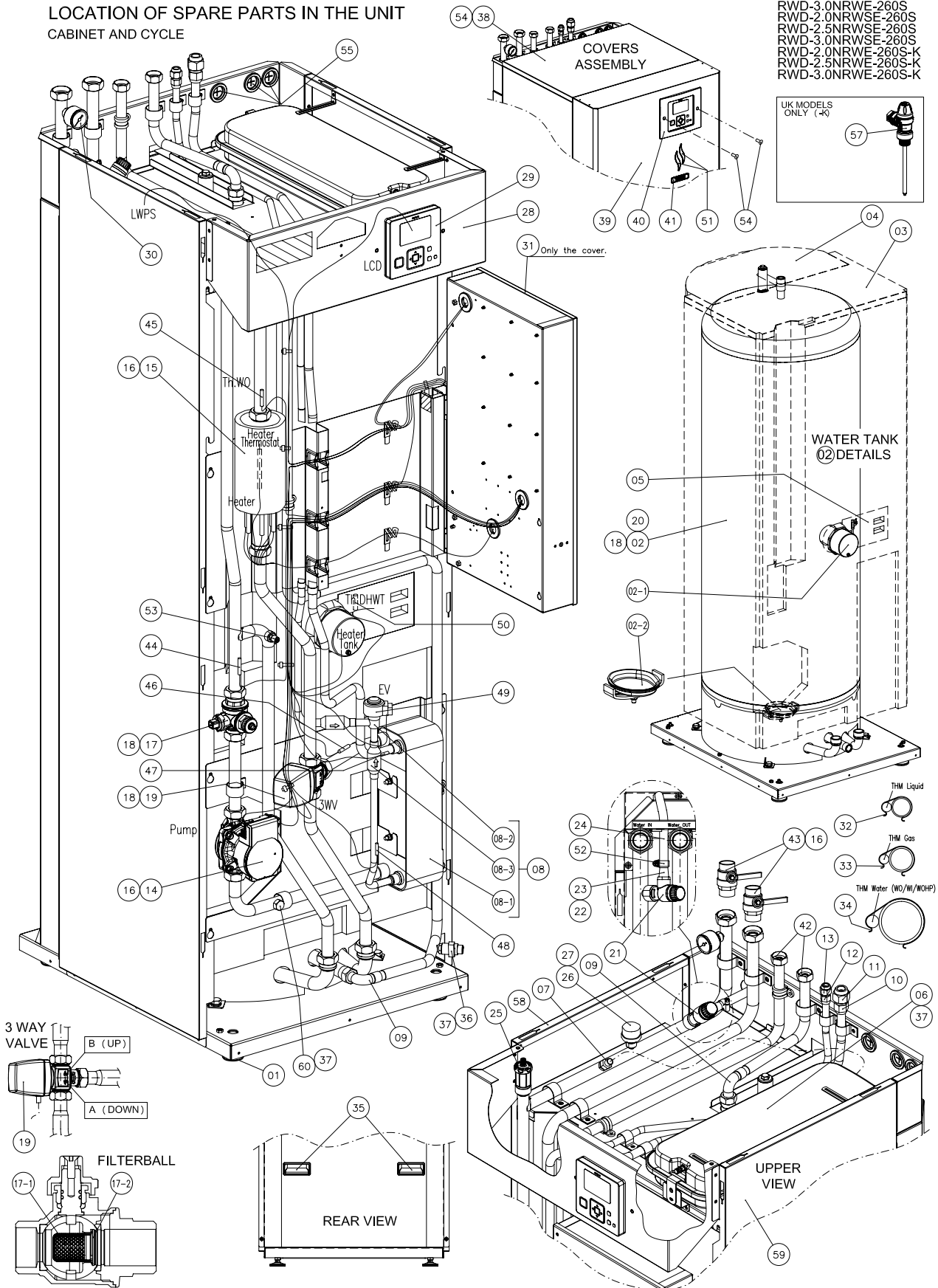
PRODUCT CODE	MODEL NAME
7E483251	RWD-2.0NRWE-260S-K,1~ 230V 50Hz
7E483342	RWD-2.0NRWSE-260S,1~ 230V 50Hz
7E483053	RWD-2.5NRWE-260S,1~ 230V 50Hz
7E483252	RWD-2.5NRWE-260S-K,1~ 230V 50Hz
7E483343	RWD-2.5NRWSE-260S,1~ 230V 50Hz
7E483054	RWD-3.0NRWE-260S,1~ 230V 50Hz
7E483253	RWD-3.0NRWE-260S-K,1~ 230V 50Hz
7E483344	RWD-3.0NRWSE-260S,1~ 230V 50Hz

No.	DESCRIPTION	DWG No.	PART No.	Qty	Qty	Qty	Qty	Qty	Qty	Qty	Qty	Qty	REMARKS
43	Shutdown Valve	XEK39401 A	E05019	2	2	2	2	2	2	2	2	2	
44	Thermistor Assy	XEK26451 E	E04928	1	1	1	1	1	1	1	1	1	Water In THM.
45	Thermistor Assy	XEK26451 J	E04929	1	1	1	1	1	1	1	1	1	Water Out THM.
46	Thermistor Assy	XEK26451 N	E04981	1	1	1	1	1	1	1	1	1	Water Out PHEX THM.
47	Thermistor Assy	XEK26430 F	E04982	1	1	1	1	1	1	1	1	1	Gas THM.
48	Thermistor Assy	XEK26430 M	E04983	1	1	1	1	1	1	1	1	1	Liquid THM.
49	Exp. Valve Coil	X17F04390 H	E04965	1	1	1	1	1	1	1	1	1	
50	Thermistor DHWT	XEK39459 A	E05020	1	1	1	1	1	1	1	1	1	Tank surface.
51	Flame Label	XEK39743 A	E04945	2	2	2	2	2	2	2	2	2	
52	Clamp	XEK39789 A	E05026	1	1	1	1	1	1	1	1	1	
53	Manual Air Purge	XEK39863 A	E05027	1	1	1	1	1	1	1	1	1	
54	Screw	XEK40091 A	E02501	4	4	4	4	4	4	4	4	4	
55	Rubber Bush	XEK32468 A	E02060	3	3	3	3	3	3	3	3	3	
57	Pres. and Temp. Valve	XEK39270 A	E05015		1			1				1	
58	Side Cover L	XEK12614 A	E05058	1	1	1	1	1	1	1	1	1	
59	Side Cover R	XEK12615 A	E05059	1	1	1	1	1	1	1	1	1	
60	Seal Nut	XEK37280 C	E06198	1	1	1	1	1	1	1	1	1	

LOCATION OF SPARE PARTS IN THE UNIT
CABINET AND CYCLE

RWD-2.0NRWE-260S
RWD-2.5NRWE-260S
RWD-3.0NRWE-260S
RWD-2.0NRWSE-260S
RWD-2.5NRWSE-260S
RWD-3.0NRWSE-260S
RWD-2.0NRWE-260S-K
RWD-2.5NRWE-260S-K
RWD-3.0NRWE-260S-K

UK MODELS
ONLY (-K)
57



No.	DESCRIPTION	DWG No.	PART No.	MODEL NAME			REMARKS
				Qty	Qty	Qty	
1	PCB	XEK51917 A	E04665	1	1	1	
2	Spacer	XEK34315 A	E01789	12	12	12	
3	Terminal Board	XEK34375 A	E02519	1	1	1	
4	Terminal Board	17P00835 O	E04778	1	1	1	
5	Relay	XEK39261 A	E04779	3	3	3	
6	Fuse	XEK39253 A	E04780	3	3	3	6,3A
8	Fuse	XEK39253 D	E04782	1	1	1	20A
9	Fuse Holder	X17C68766 A	E04783	4	4	4	
10	Rocker Switch	XEK37911 A	E04784	1	1	1	
11	Clamp	XEK31150 A	E02012	1	1	1	
12	Rubber Bush	XEK32468 A	E02060	9	9	9	
13	Thermostat	XEK39254 A	E04785	1	1	1	
14	Electrical Box	-	E06161	1	1	1	Assembly (Components + Harness)
16	E-Box SubAssy	XEK25401 A	E04791	1	1	1	Only plate (without components)

PRODUCT CODE	MODEL NAME
7E483052	RWD-2.0NRWE-260S, 1~ 230V 50Hz
7E483251	RWD-2.0NRWE-260S-K, 1~ 230V 50Hz
7E483342	RWD-2.0NRWSE-260S, 1~ 230V 50Hz
7E483053	RWD-2.5NRWE-260S, 1~ 230V 50Hz
7E483252	RWD-2.5NRWE-260S-K, 1~ 230V 50Hz
7E483343	RWD-2.5NRWSE-260S, 1~ 230V 50Hz
7E483054	RWD-3.0NRWE-260S, 1~ 230V 50Hz
7E483253	RWD-3.0NRWE-260S-K, 1~ 230V 50Hz
7E483344	RWD-3.0NRWSE-260S, 1~ 230V 50Hz

ELECTRICAL EQUIPMENT

