

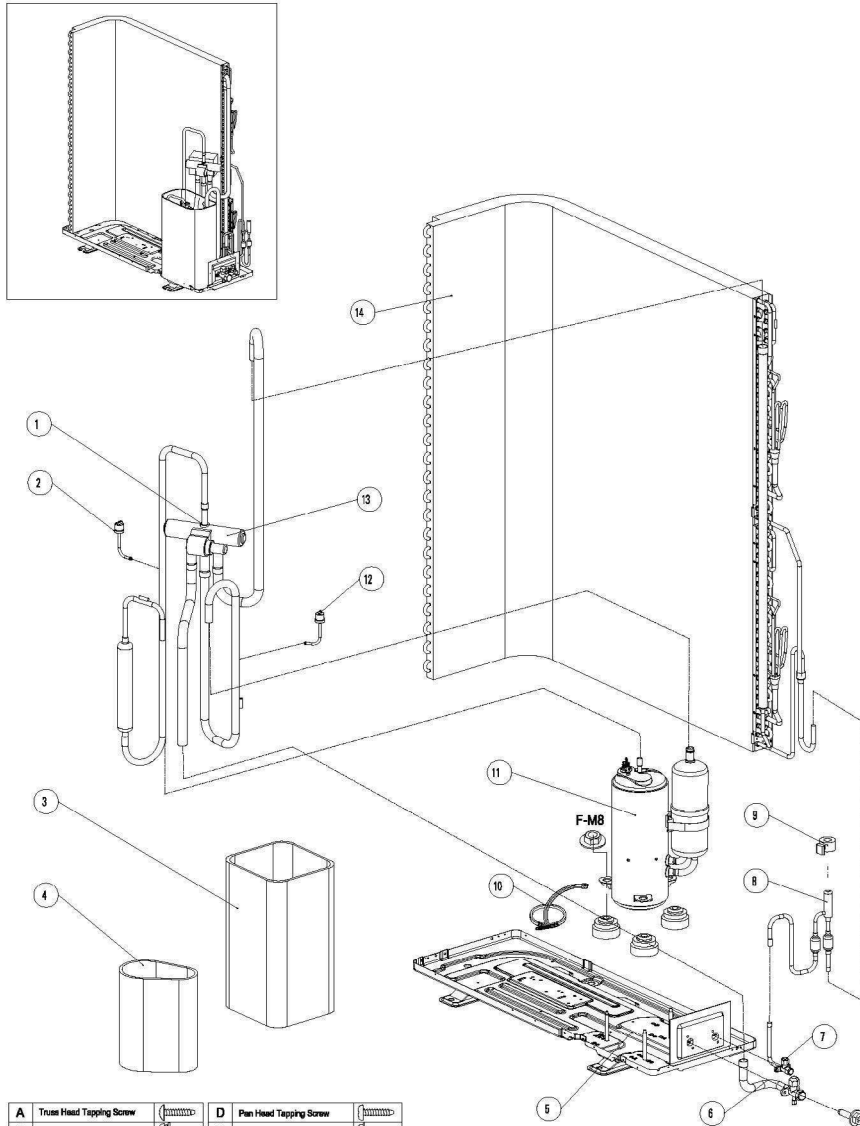
A	Torus Head Tapping Screw		D	Pan Head Tapping Screw	
B	Bolt/Washer Combinations		E	Hex Flange Self-tapping Screws	
C	Hexagon Head Tapping Screw		F	Nut	

NOTE:
The unchromated coating is applied to iron and steel material for the unspecified materials of the bolt and screw.

NOTE:
The parts without order number are the custom-ordered, and these are not mentioned in the price list. When ordering them, the part name and the drawing number are required. Contact your distributor for the delivery date and price about them.

3	HIS1893556	Motor Supporter	1	
4	S1498534	DC Motor	1	
5	S1263612	Bolt Washer Combinations	4	for DC Motor
6	S1947347	Propeller Fan Blade	1	
8	S1398867	Welding Hex Nuts	1	
10	S1202703	Handle	1	
11	S1927879	Fan Guard	1	
14	S1546721	Sensor Mounting Plate	1	
15	S1928337	Valve Cover	1	
17	S1464296	PFC Inductor	1	
18	HIS1499431	Clapboard	1	

<Refrigerant Cycle>

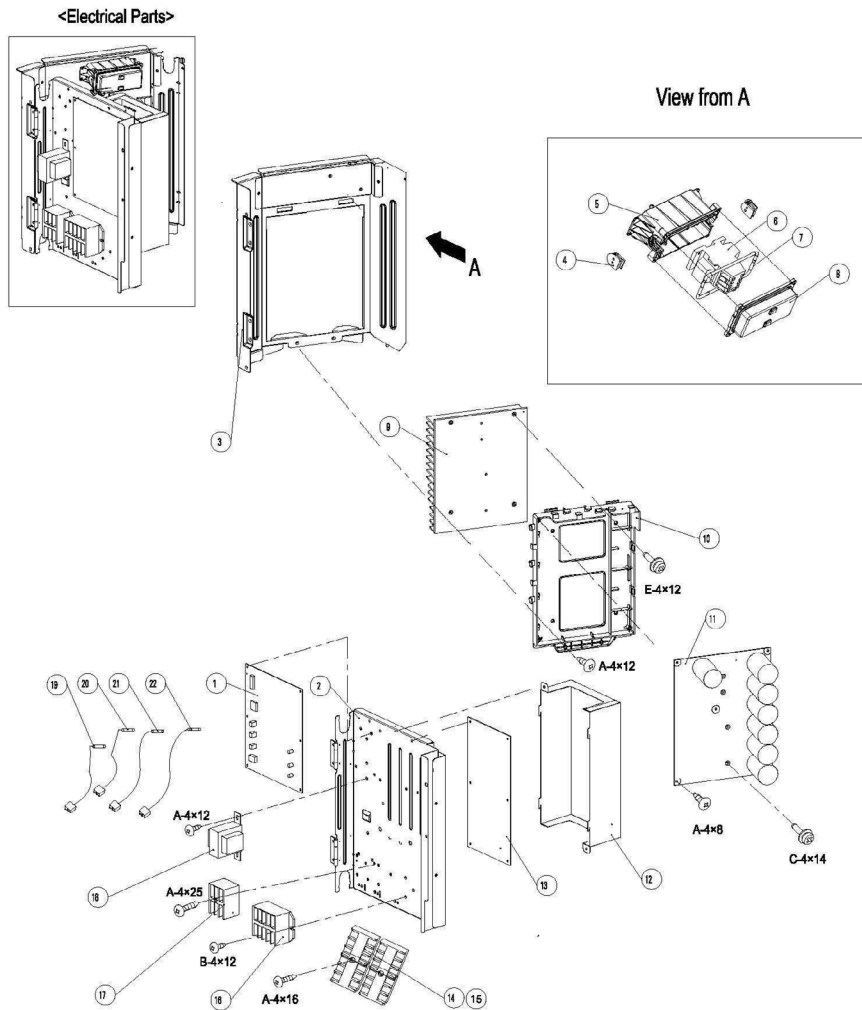


A	Triax Head Tapping Screw		D	Plan Head Tapping Screw	
B	Bolt, Washer Combinations		E	Hex Flange Self-tapping Screws	
C	Hexagon Head Tapping Screw		F	Nut	

NOTE:
The unchromated coating is applied to iron and steel material for the unspecified materials of the bolt and screw.

NOTE:
The parts without order number are the custom-ordered, and these are not mentioned in the price list.
When ordering them, the part name and the drawing number are required.
Contact your distributor for the delivery date and price about them.

2	S1820200	Pressure Switch	1	Pressure Switch
3	S1474093	Noise-insulation Cotton	1	Noise-Insulation Cotton
4	S1480149	Noise-insulation Cotton	1	Noise-Insulation Cotton
5	HIS1885508	Base Holder	1	Base Holder
6	S1839787	Stop Valve	1	Stop Valve
7	S1335465	Stop Valve	1	Stop Valve
8	S1926183	Electronic Expansion Valve	1	Electronic Expansion Val
9	S1465154	Electromagnetic Expansion Valve Coil	1	Electromagnetic Expansion Valve Coil
10	S1391303	Crankcase Heater	1	Crankcase Heater
12	S1821777	Pressure Switch	1	Pressure Switch
13	S1302932	Four-way Valve Coil	1	Four-way Valve Coil



A	Truss Head Tapping Screw		D	Pan Head Tapping Screw	
B	Bolt/Washer Combinations		E	Hex Flange Self-tapping Screws	
C	Hexagon Head Tapping Screw		F	Nut	

NOTE:
The unchromated coating is applied to iron and steel material for the unspecified materials of the bolt and screw.

NOTE:
The parts without order number are the custom-ordered, and these are not mentioned in the price list. When ordering them, the part name and the drawing number are required. Contact your distributor for the delivery date and price about them.

2	HIS1464292	Mounting Plate	1	
3	HIS1464281	Mounting Plate	1	
6	S1326391	AC Contactor	1	
12	S1802942	Electric Box Cover	1	
14	S1327399	Fuse Base	2	
15	S1454452	Fuse	2	
16	S1507431	Wire Terminal Board	1	Power
17	S1301881	Wire Terminal Board	1	Communication
18	S1483085	Linear Transformer	1	
19	S1395042	Temperature Sensor	1	Discharge
20	S1421856	Temperature Sensor	1	Suction
21	S1464346	Temperature Sensor	1	Coil
22	S1902722	Temperature Sensor	1	Ambient Temperature