

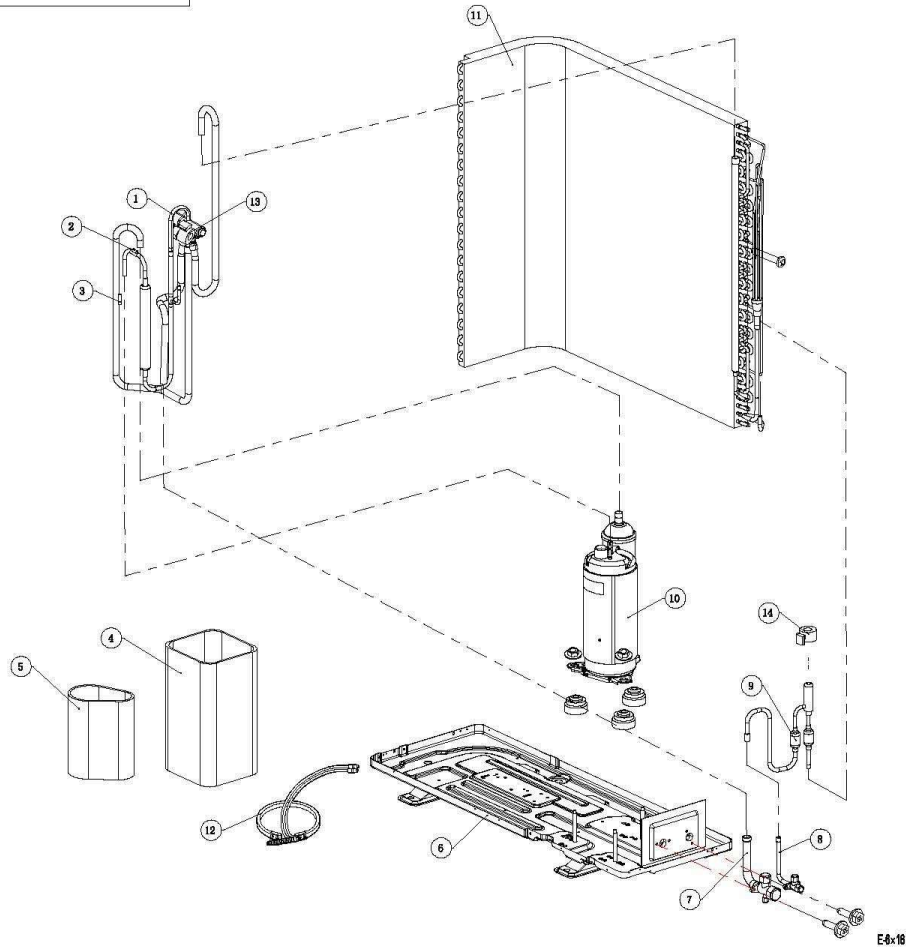
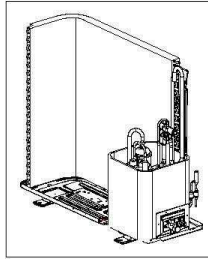
A Torx Head Tapping Screw		D Pan Head Tapping Screw	
B Bolt/Washer Combination		E Hex Flange Self-tapping Screw	
C Hexagon Head Tapping Screw		F Nut	

NOTE:
The parts without order number are the custom-ordered, and these are not mentioned in the price list.
When ordering them, the part name and the drawing number are required.
Contact your distributor for the delivery date and price about them.

NOTE:
The unchromated coating is applied to iron and steel material for the unspecified materials of the bolt and screw.

1	S1927879	Fan Guard	1	
4	HIS1382782	Mounting Plate	1	
5	S1231108	Hex Flange Nut	1	M10
7	S1421124	DC Motor	1	
12	HIS1434202	Clapboard	1	
13	S1954394	Wire Cover	1	
14	S1928337	Valve Cover	1	
15	S1546721	Sensor Mounting Plate	1	
16	S1202703	Handle	1	

< Refrigerant Cycle >



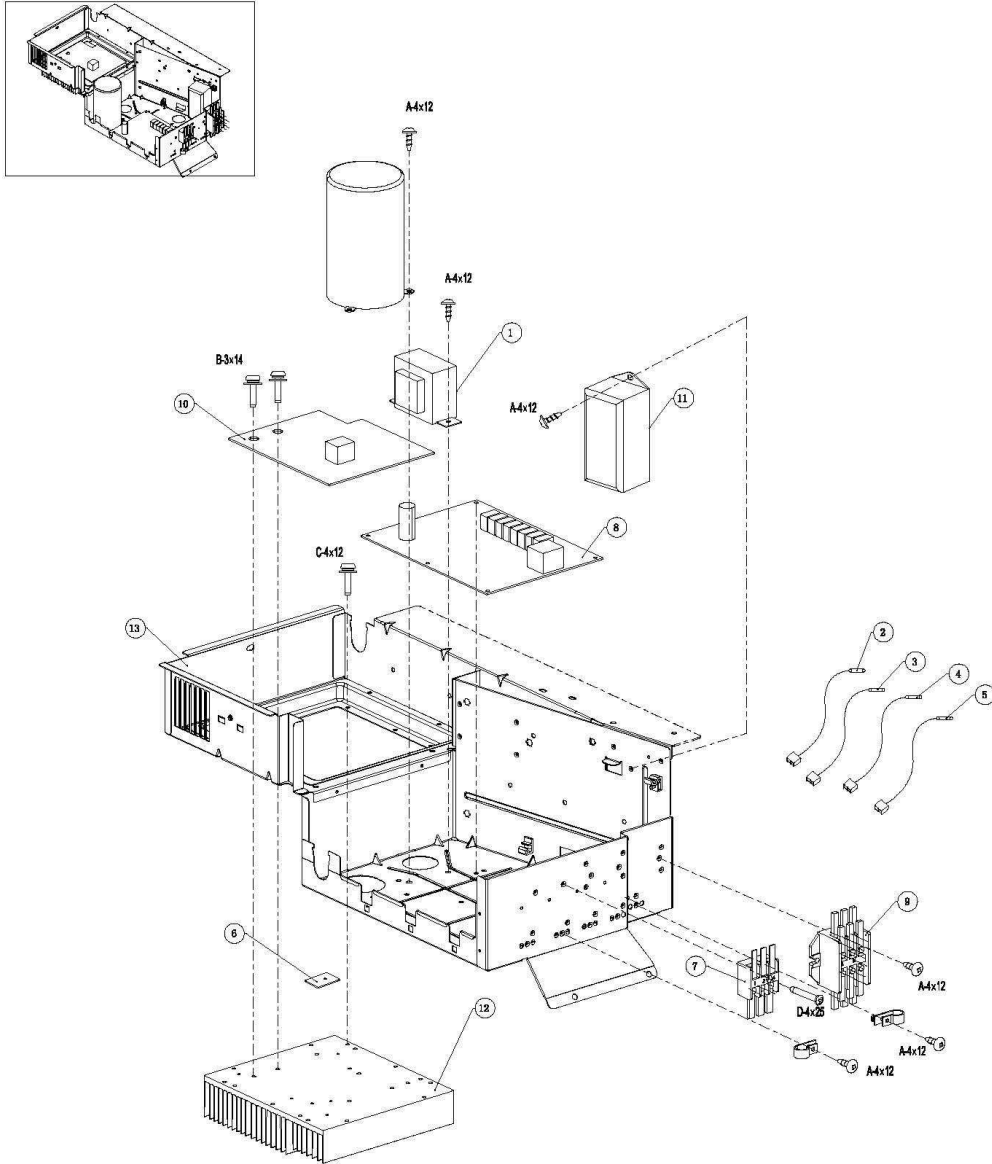
A	Truss Head Tapping Screw		D	Part Head Tapping Screw	
B	Bolt/Washer Combinations		E	Hex Flange Self-tapping Screws	
C	Hexagon Head Tapping Screw		F	Nut	

NOTE:
The unchromated coating is applied to iron and steel material for the unspecified materials of the bolt and screw.

NOTE:
The parts without order number are the custom-ordered, and these are not mentioned in the price list.
When ordering them, the part name and the drawing number are required.
Contact your distributor for the delivery date and price about them.

1	S1933231	Four-way Valve	1	
2	S1465639	Temperature Catheter	1	Discharge
3	S1465639	Temperature Catheter	1	Coil
4	S1474093	Noise-insulation Cotton	1	The Outer
5	S1480149	Noise-insulation Cotton	1	The Inner
7	S1869126	Stop Valve	1	Low Pressure Valve
8	S1335465	Stop Valve	1	High Pressure Valve
9	S1458701	Auxiliary Pipe	1	
12	S1391303	Crankcase Heater	1	
13	S1302932	Four-way Valve Coil	1	
14	S1385852	Electronic Expansion Valve Coil	1	

< Electrical Parts >



A Torx Head Tapping Screw		D Pin Head Tapping Screw	
B Bolt/Washer Combination		E Hex Flange Self-tapping Screw	
C Hexagon Head Tapping Screw		F Nut	

NOTE:
The parts without order number are the custom-ordered, and these are not mentioned in the price list.
When ordering them, the part name and the drawing number are required.
Contact your distributor for the delivery date and price about them.

NOTE:
The uniformed coating is applied to iron and steel material for the unspecified materials of the bolt and screw.

1	S1302261	PFC Inductance	1	
2	S1395042	Temperature Sensor	1	
3	S1421856	Temperature Sensor	1	
4	S1457946	Temperature Sensor	1	
5	S1902722	Temperature Sensor	1	
6	S1204030	Isolative Diathermia Spacer Block	1	
7	S1472473	Wire Terminal Board	1	Communication
9	S1446264	Wire Terminal Board	1	Power
11	S1944799	Power Filter	1	
13	HIS1491169	Electric Box	1	