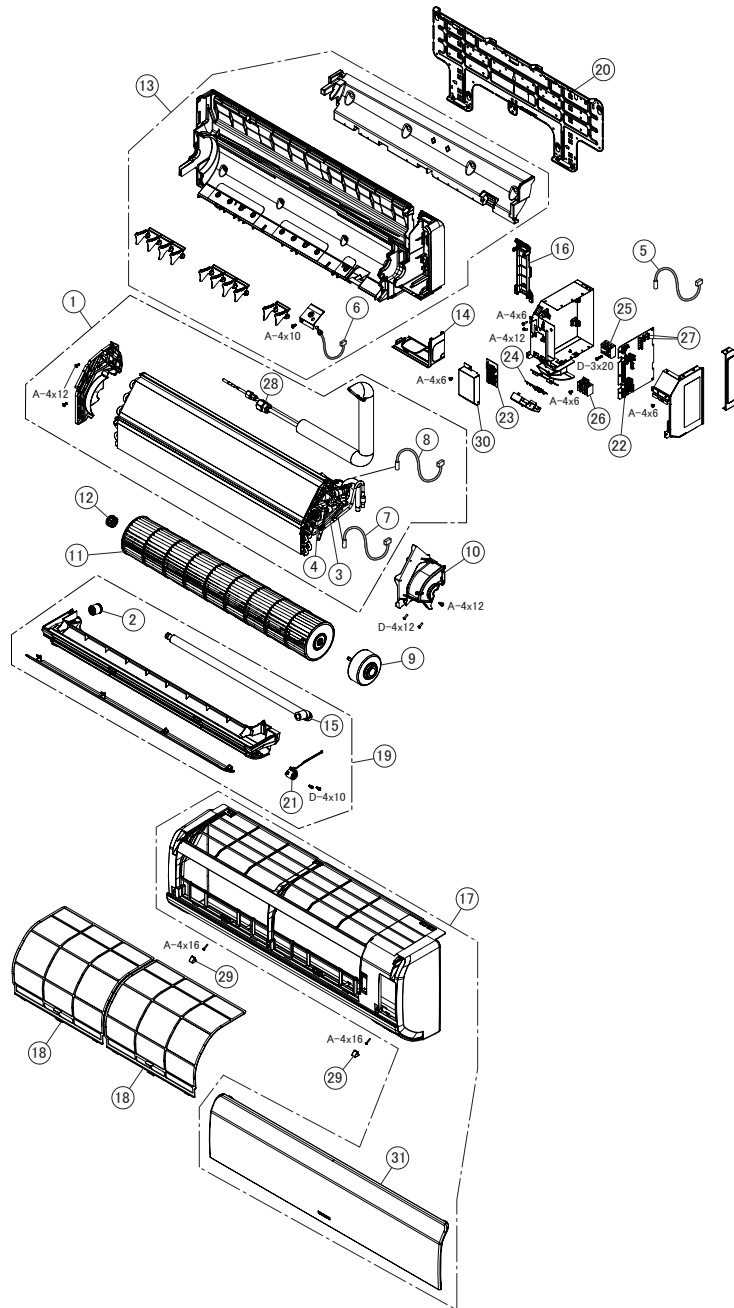


No.	Part Name	Replacement Part		Remarks	(P0186x-02)
		Draw. No.	Order No.		Voltage
					230V/50Hz
					Q'ty Per Unit
					RPK-1.5FSN4M
1	Heat Exchanger	17H35753B	P31725		1
2	Condensate Cap	17C88465A	P27062		1
3	Expansion Valve	17F04391A	P28701	Fujikoki Corporation, PAM-B40YGHS-1	1
4	Motor for EXPV	17F04390G	P29630	Fujikoki Corporation, PAM-MD12HS-11	1
5	Thermistor	17B24598C	P24016	THM1 for Air Inlet	1
6	Thermistor	17B38999A	P29626	THM2 for Air Outlet	1
7	Thermistor	17B42636D	P29628	THM3 for Freeze Protection	1
8	Thermistor	17B42635D	P29627	THM5 for Gas Line	1
9	Fan Motor	17A23558A	P29608	DC, 38W	1
10	Motor Clamp	17A23547A	P29609		1
11	Fan	17A23549A	P29611		1
12	Bearing	17C85253A	P26601		1
13	Bottom Base	17F11643A	P29613		1
14	Corner Cover	17B44470A	P29614		1
15	Condensate Hose	17B44471A	P29615		1
16	Pipe Cover	17B44472A	P29616		1
17	Cabinet Panel Assy	17A23551B	P29637	Including part No.31 Flat Panel	1
18	Filter	17A23215B	P31600		2
19	Condensate Pan Assy	17A23555A	P29622		1
20	Mounting Plate	17A23556A	P29623		1
21	AS Motor	17B44473A	P29624	for Auto Swing Louver	1
22	PCB-S	17H30829C	P31924	PI-151-S for Control	1
23	PCB-S	17H31294B	P31925	for Switch	1
24	PCB-S	17F11644A	P29625	for Receiver with Indicator	1
25	Terminal Block	17C85280A	P26616	for Power Source Circuit	1
26	Terminal Block	17C85281A	P26618	for Control Circuit	1
27	Fuse	17C90851A	P27957	Fuse on PI-151-S, 5A	2
28	Flare Nut	17E20872C	R4226	φ12.7	1
29	Screw Cap	17H20045A	P29629		2
30	Switch Cover	17F12199A	P29709		1
31	Flat Panel	17F12164A	P29700	with "HITACHI" Logo	1

MODEL: RPK-1.5FSN4M



A	Truss Head Tapping Screw		F	Stud Bolt	
B	Round Head Screw		G	Nut	
C	Flat Head Screw		H	Washer	
D	Pan Head Tapping Screw		J	Spring Lock Washer	
E	Hexagon Head Bolt		K	Toothed Lock Washer	

NOTE:
The unchromated coating is applied to iron and steel material for the unspecified materials of the bolt and screw.

NOTE:

The parts without order number are the custom-ordered, and these are not mentioned in the price list. When ordering them, the part name and the drawing number are required. Contact your HITACHI distributor for the delivery date and price about them.