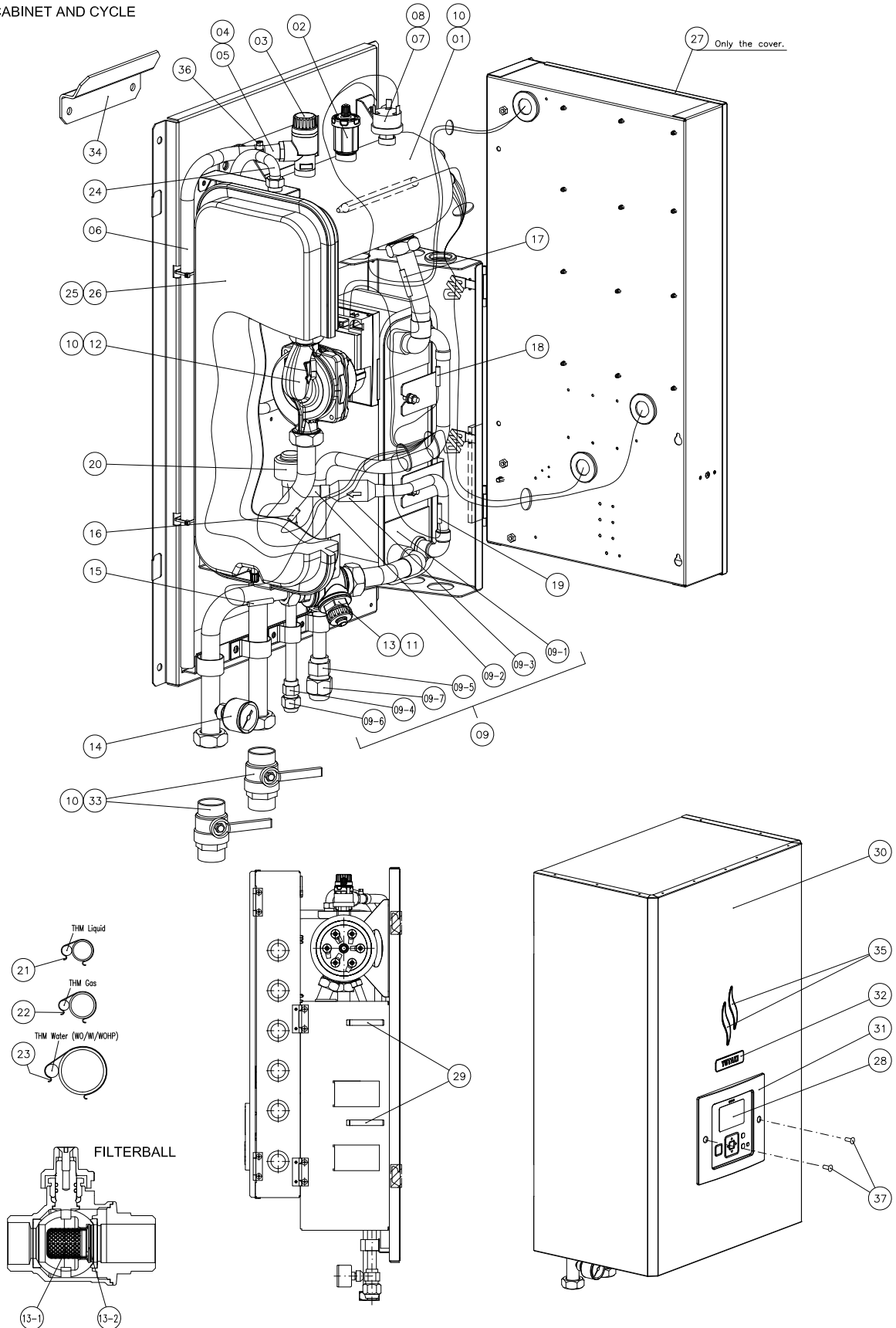


No.	DESCRIPTION	DWG No.	PART No.	MODEL NAME			REMARKS
				RWM-2.0NE, 1~ 230V 50Hz	RWM-2.5NE, 1~ 230V 50Hz	RWM-3.0NE, 1~ 230V 50Hz	
				PRODUCT CODE			
				7E475003	7E475004	7E475005	
1	Electric Heater	XEK12536 A	E04971	1	1	1	
2	Air Purge	XEK38252 A	E04040	1	1	1	
3	Security Valve	XEK37800 A	E02475	1	1	1	
4	Gasket	XEK36144 D	E04873	1	1	1	for Union 5 to Security Valve connection.
5	Union	XEK36303 A	E02507	1	1	1	
6	Drain Pipe	XEK36103 A	E02546	1	1	1	
7	Pressure Switch	XEK37744 A	E02494	1	1	1	
8	Gasket	XEK39368 A	E05017	1	1	1	for Pressure Switch connection.
9	Phex Unit	XEK25408 A	E04996	1			Assembly.
9	Phex Unit	XEK25408 B	E04997		1		Assembly.
9	Phex Unit	XEK25408 C	E04998			1	Assembly.
9-1	Plate Hex	XEK25315 A	E04974	1			
9-1	Plate Hex	XEK25315 B	E04975		1		
9-1	Plate Hex	XEK25315 C	E04896			1	
9-2	Expansion Valve	X17F04391 A	E03076	1			
9-2	Expansion Valve	X17F04392 A	E03077		1	1	
9-3	Strainer	17G62700 A	P25041	2	2	2	
9-4	Union	27JR0609	E02935	1			Liquid connection.
9-4	Union	27JR0913	E02487		1	1	Liquid connection.
9-5	Union	27JR1717	E02488	1	1	1	Gas connection
9-6	Flare Nut	25JR0600	E02936	1			Liquid connection.
9-6	Flare Nut	25JR0900	E02489		1	1	Liquid connection.
9-7	Flare Nut	25JR1700	E02490	1	1	1	Gas connection
10	Gasket	XEK36144 B	E03832	8	8	8	for Pump, E-Heater and Shutdown Valves connections.
11	Gasket	XEK36397 A	E02528	2	2	2	for FilterBall connections.
12	Pump	XEK25342 A	E04894	1	1	1	
13	Filter Ball	XEK25346 A	E04897	1	1	1	
13-1	Filter	XEK39398 A	E04898	1	1	1	
13-2	Seeger	XEK39399 A	E04899	1	1	1	
14	Manometer	XEK39269 A	E05014	1	1	1	
15	Thermistor Assy 1	XEK25398 A	E04903	1	1	1	Water In THM.
16	Thermistor Assy 1	XEK25398 D	E04904	1	1	1	Water Out THM.
17	Thermistor Assy 1	XEK25398 G	E04988	1	1	1	Water Out PHEX THM.

No.	DESCRIPTION	DWG No.	PART No.	MODEL NAME			REMARKS
				RWM-2.0NE, 1 ~ 230V 50Hz	RWM-2.5NE, 1 ~ 230V 50Hz	RWM-3.0NE, 1 ~ 230V 50Hz	
				PRODUCT CODE			
				7E475003	7E475004	7E475005	
18	Thermistor Assy 2	XEK25399 A	E04930	1	1	1	Gas THM.
19	Thermistor Assy 2	XEK25399 D	E04993	1	1	1	Liquid THM.
20	Exp. Valve Coil	X17F04390 C	E03180	1	1	1	
21	P-Spring	17G27651 B	E02549	1	1	1	
22	P-Spring	17G27651 C	E02550	1	1	1	
23	P-Spring	17G31457 D	E01193	3	3	3	
24	Flexible Pipe	XEK24724 G	E04048	1	1	1	Vessel connection.
25	Gasket	XEK36144 A	E02497	1	1	1	Vessel connection.
26	Expansion Vessel (6 L)	XEK25338 A	E04893	1	1	1	
27	E-Box Cover Assy	XEK39364 A	E05016	1	1	1	Plate + Labels.
28	Remote Controller Assy	XEK39322 A	E04960	1	1	1	
29	Clamp	XEK36297 A	E02504	2	2	2	
30	Service Cover Assy	XEK25411 A	E04999	1	1	1	Assembly.
31	Lcd Frame	XEK12635 A	E04955	1	1	1	
32	Yutaki Label	XEK39388 A	E04944	1	1	1	
33	Shutdown Valve	XEK39401 A	E05019	2	2	2	
34	Wall Support	XEK39386 A	E05018	1	1	1	
35	Flame Label	XEK39743 A	E04945	2	2	2	
36	Clamp	XEK39789 A	E05026	1	1	1	
37	Screw	XEK40091 A	E02501	2	2	2	

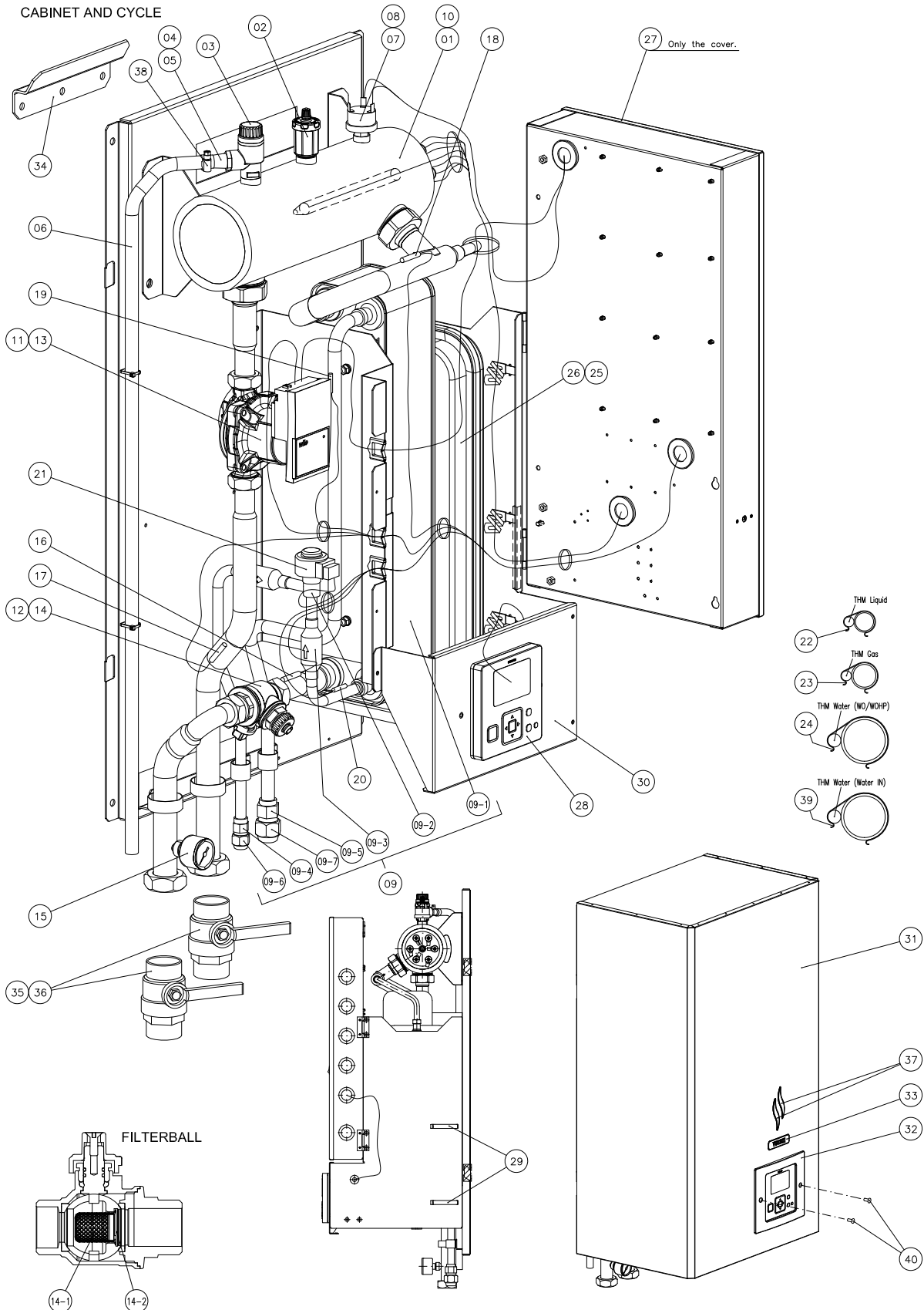
LOCATION OF SPARE PARTS IN THE UNIT
CABINET AND CYCLE



No.	DESCRIPTION	DWG No.	PART No.	MODEL NAME			REMARKS
				RWM-4.0NE; 1~3N~ 230/400V	RWM-5.0NE; 1~3N~ 230/400V	RWM-6.0NE; 1~3N~ 230/400V	
				PRODUCT CODE			
				7E475007	7E475008	7E475009	
1	Electric Heater	XEK12537 A	E04972	1	1	1	
2	Air Purge	XEK38252 A	E04040	1	1	1	
3	Security Valve	XEK37800 A	E02475	1	1	1	
4	Gasket	XEK36144 D	E04873	1	1	1	for Union 5 to Security Valve connection.
5	Union	XEK36303 A	E02507	1	1	1	
6	Drain Pipe	XEK36103 A	E02546	1	1	1	
7	Pressure Switch	XEK37744 A	E02494	1	1	1	
8	Gasket	XEK39368 A	E05017	1	1	1	for Pressure Switch connection.
9	Phex Unit	XEK25496 A	E05000	1			Assembly.
9	Phex Unit	XEK25496 B	E05001		1	1	Assembly.
9-1	Plate Hex	XEK25377 A	E04836	1			
9-1	Plate Hex	XEK25377 B	E04835		1	1	
9-2	Expansion Valve	X17F04392 A	E03077	1			
9-2	Expansion Valve	X17F04393 A	E03078		1	1	
9-3	Strainer	17G62700 A	P25041	2	2	2	
9-4	Union	27JR0913	E02487	1	1	1	Liquid connection.
9-5	Union	27JR1717	E02488	1	1	1	Gas connection
9-6	Flare Nut	25JR0900	E02489	1	1	1	Liquid connection.
9-7	Flare Nut	25JR1700	E02490	1	1	1	Gas connection
10	Gasket	XEK35682 A	E02496	2	2	2	for Electric Heater connections.
11	Gasket	XEK36144 B	E03832	2	2	2	for Pump connections.
12	Gasket	XEK36397 A	E02528	2	2	2	for Filter Ball connections.
13	Pump	XEK25343 A	E04837	1	1	1	
14	Filter Ball	XEK25346 A	E04897	1	1	1	
14-1	Filter	XEK39398 A	E04898	1	1	1	
14-2	Seeger	XEK39399 A	E04899	1	1	1	
15	Manometer	XEK39269 A	E05014	1	1	1	
16	Thermistor Assy 1	XEK25398 B	E04984	1	1	1	Water In THM.
17	Thermistor Assy 1	XEK25398 E	E04986	1	1	1	Water Out THM.
18	Thermistor Assy 1	XEK25398 H	E04989	1	1	1	Water Out PHEX THM.
19	Thermistor Assy 2	XEK25399 B	E04991	1	1	1	Gas THM.
20	Thermistor Assy 2	XEK25399 E	E04994	1	1	1	Liquid THM.

No.	DESCRIPTION	DWG No.	PART No.	MODEL NAME			REMARKS
				RWM-4.0NE, 1~/3N~ 230/400V	RWM-5.0NE, 1~/3N~ 230/400V	RWM-6.0NE, 1~/3N~ 230/400V	
				PRODUCT CODE			
				7E475007	7E475008	7E475009	
21	Exp. Valve Coil	X17F04390 C	E03180	1	1	1	
22	P-Spring	17G27651 B	E02549	1	1	1	
23	P-Spring	17G27651 C	E02550	1	1	1	
24	P-Spring	XEK36252 A	E02551	4	4	4	
25	Gasket	XEK36144 A	E02497	1	1	1	Vessel connection.
26	Expansion Vessel (6 L)	XEK25338 A	E04893	1	1	1	
27	E-Box Cover Assy	XEK39518 A	E05021	1	1	1	Plate + Labels.
28	Remote Controller Assy	XEK39322 A	E04960	1	1	1	
29	Clamp	XEK36297 A	E02504	2	2	2	
30	Lcd Support	XEK39519 A	E05022	1	1	1	
31	Service Cover Assy	XEK25501 A	E05004	1	1	1	Assembly.
32	Lcd Frame	XEK12635 A	E04955	1	1	1	
33	Yutaki Label	XEK39388 A	E04944	1	1	1	
34	Wall Support	XEK36145 A	E02552	1	1	1	
35	Gasket	XEK36144 C	E04824	4	4	4	for Shutdown Valves connections.
36	Shutdown Valve	XEK39401 B	E04846	2	2	2	
37	Flame Label	XEK39743 A	E04945	2	2	2	
38	Clamp	XEK39789 A	E05026	1	1	1	
39	P-Spring	17G31457 D	E01193	1	1	1	
40	Screw	XEK40091 A	E02501	2	2	2	

LOCATION OF SPARE PARTS IN THE UNIT
CABINET AND CYCLE

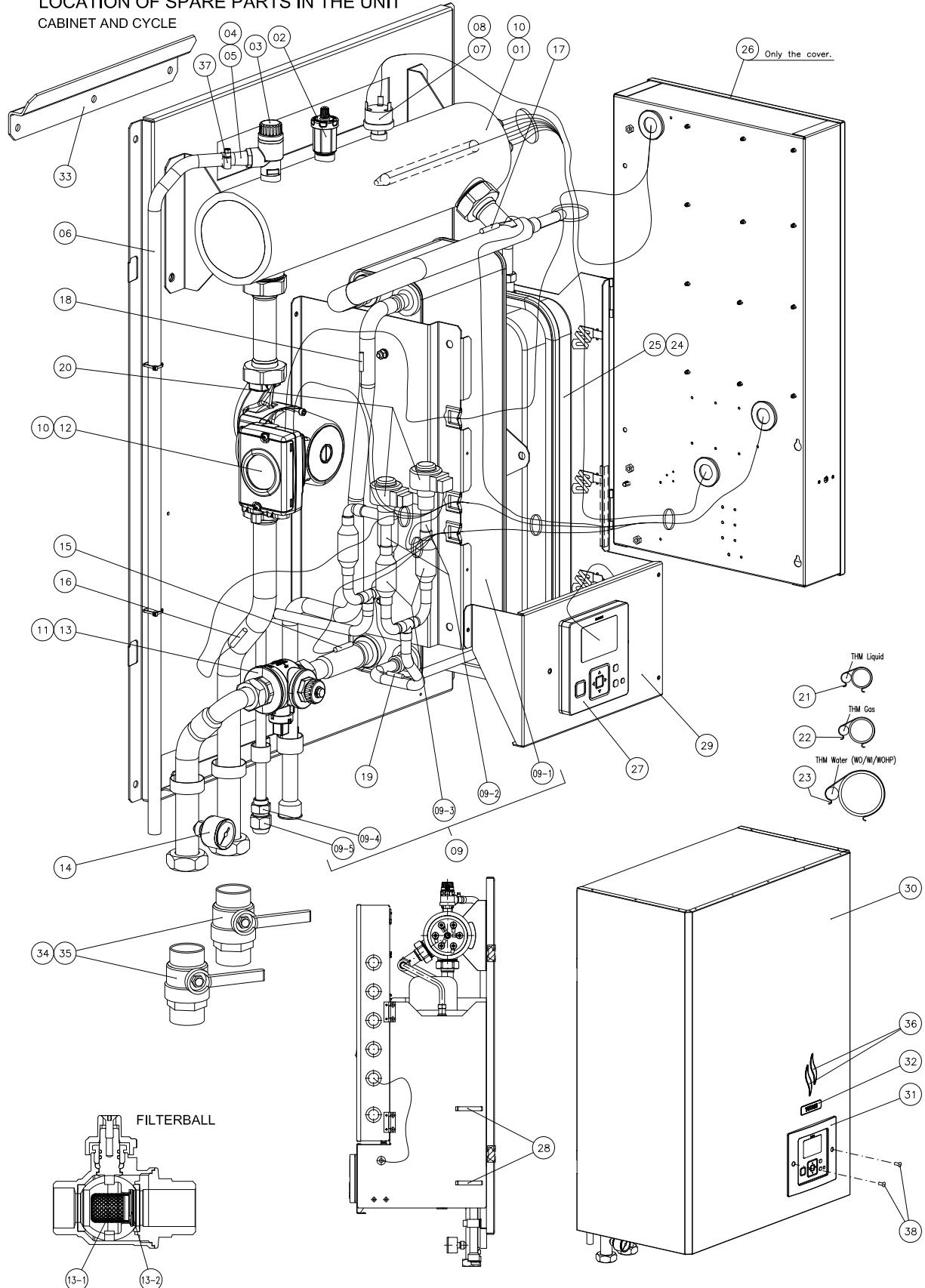


PRODUCT CODE	7E475010
	7E475011
MODEL NAME	RWM-8.0NE, 3N~ 400V
	RWM-10.0NE, 3N~ 400V

No.	DESCRIPTION	DWG No.	PART No.	Qty	Qty	REMARKS
1	Electric Heater	XEK12538 A	E04973	1	1	
2	Air Purge	XEK38252 A	E04040	1	1	
3	Security Valve	XEK37800 A	E02475	1	1	
4	Gasket	XEK36144 D	E04873	1	1	for Union 5 to Security Valve connection.
5	Union	XEK36303 A	E02507	1	1	
6	Drain Pipe	XEK36103 A	E02546	1	1	
7	Pressure Switch	XEK37744 A	E02494	1	1	
8	Gasket	XEK39368 A	E05017	1	1	for Pressure Switch connection.
9	Phex Unit	XEK25497 A	E05002	1		Assembly.
9	Phex Unit	XEK25497 B	E05003		1	Assembly.
9-1	Plate Hex	XEK25377 C	E04978	1		
9-1	Plate Hex	XEK25377 D	E04979		1	
9-2	Expansion Valve	X17F04392 A	E03077	2		
9-2	Expansion Valve	X17F04393 A	E03078		2	
9-3	Strainer	17G62700 A	P25041	4	4	
9-4	Union	27JR0913	E02487	1		Liquid connection.
9-4	Union	27JR1313	E02775		1	Liquid connection.
9-5	Flare Nut	25JR0900	E02489	1		Liquid connection.
9-5	Flare Nut	25JR1300	E02776		1	Liquid connection.
10	Gasket	XEK35682 A	E02496	4	4	for Pump and Electric Heater connections.
11	Gasket	XEK36397 A	E02528	2	2	for Filter Ball connections.
12	Pump	XEK25344 A	E04977	1	1	
13	Filter Ball	XEK25347 A	E04840	1	1	
13-1	Filter	XEK39398 B	E04841	1	1	
13-2	Seeger	XEK39399 B	E04842	1	1	
14	Manometer	XEK39269 A	E05014	1	1	
15	Thermistor Assy 1	XEK25398 C	E04985	1	1	Water In THM.
16	Thermistor Assy 1	XEK25398 F	E04987	1	1	Water Out THM.
17	Thermistor Assy 1	XEK25398 J	E04990	1	1	Water Out PHEX THM.
18	Thermistor Assy 2	XEK25399 C	E04992	1	1	Gas THM.
19	Thermistor Assy 2	XEK25399 F	E04995	1	1	Liquid THM.
20	Exp. Valve Coil	X17F04390 C	E03180	2	2	
21	P-Spring	17G27651 B	E02549	1	1	
22	P-Spring	17G31457 A	E02444	1	1	

No.	DESCRIPTION	DWG No.	PART No.	MODEL NAME		PRODUCT CODE	REMARKS
				RWM-8.0NE, 3N~400V	RWM-10.0NE, 3N~400V		
23	P-Spring	XEK36252 A	E02551	6	6		
24	Gasket	XEK36144 A	E02497	1	1		Vessel connection.
25	Expansion Vessel (10 L)	XEK25339 A	E04976	1	1		
26	E-Box Cover Assy	XEK39518 A	E05021	1	1		Plate + Labels.
27	Remote Controller Assy	XEK39322 A	E04960	1	1		
28	Clamp	XEK36297 A	E02504	2	2		
29	Lcd Support	XEK39519 A	E05022	1	1		
30	Service Cover Assy	XEK25502 A	E05005	1	1		Assembly.
31	Lcd Frame	XEK12635 A	E04955	1	1		
32	Yutaki Label	XEK39388 A	E04944	1	1		
33	Wall Support	XEK36716 A	E02790	1	1		
34	Gasket	XEK36144 C	E04824	4	4		for Shutdown Valves connections.
35	Shutdown Valve	XEK39401 B	E04846	2	2		
36	Flame Label	XEK39743 A	E04945	2	2		
37	Clamp	XEK39789 A	E05026	1	1		
38	Screw	XEK40091 A	E02501	2	2		

LOCATION OF SPARE PARTS IN THE UNIT
CABINET AND CYCLE



No.	DESCRIPTION	DWG No.	PART No.	MODEL NAME										REMARKS
				Qty	Qty	Qty	Qty	Qty	Qty	Qty	Qty	Qty	Qty	
				PRODUCT CODE										
				7E475003										
				7E475004										
				7E475005										
				7E475007										
				7E475008										
				7E475009										
				7E475010										
				7E475011										
				RWM-2.0NE, 1 ~ 230V 50Hz										
				RWM-2.5NE, 1 ~ 230V 50Hz										
				RWM-3.0NE, 1 ~ 230V 50Hz										
				RWM-4.0NE, 1 ~ 3N ~ 230/400V										
				RWM-5.0NE, 1 ~ 3N ~ 230/400V										
				RWM-6.0NE, 1 ~ 3N ~ 230/400V										
				RWM-8.0NE, 3N ~ 400V										
				RWM-10.0NE, 3N ~ 400V										
No.	DESCRIPTION	DWG No.	PART No.	Qty	Qty	Qty	Qty	Qty	Qty	Qty	Qty	Qty	REMARKS	
1	PCB	XEK39262 A	E04665	1	1	1	1	1	1	1	1	1		
2	Spacer	XEK34315 A	E01789	12	12	12	12	12	12	12	12	12		
3	Terminal Board	XEK34375 A	E02519	1	1	1	1	1	1	1	1	1		
4	Terminal Board	17P00835 O	E04778	1	1	1	1	1	1	1	1	1		
5	Relay	XEK39261 A	E04779	3	3	3	3	3	3	3	3	3		
6	Fuse	XEK39253 A	E04780	3	3	3							6,3A	
7	Fuse	XEK39253 B	E04781				3	3	3				12,5A	
8	Fuse	XEK39253 D	E04782	1	1	1	1	1	1	1	4	4	20A	
9	Fuse Holder	X17C68766 A	E02516	4	4	4	4	4	4	4	4	4		
10	Rocker Switch	XEK37911 A	E03828	1	1	1	1	1	1	1	1	1		
11	Clamp	XEK31150 A	E02012	1	1	1	1	1	1	1	1	1		
12	Rubber Bush	XEK32468 A	E02060	9	9	9	9	9	9	9	9	9		
13	Thermostat	XEK39254 A	E04785	1	1	1	1	1	1	1	1	1		
14	Electrical Box	XEK01477 A	E04786	1	1	1							Assembly (Plate + Components + Harness)	
15	Electrical Box	XEK01477 B	E04787				1	1	1				Assembly (Plate + Components + Harness)	
16	Electrical Box	XEK01477 C	E04788							1	1		Assembly (Plate + Components + Harness)	
17	E-Box SubAssy	XEK25401 A	E04791	1	1	1	1	1	1	1	1	1	Only plate (without components)	

