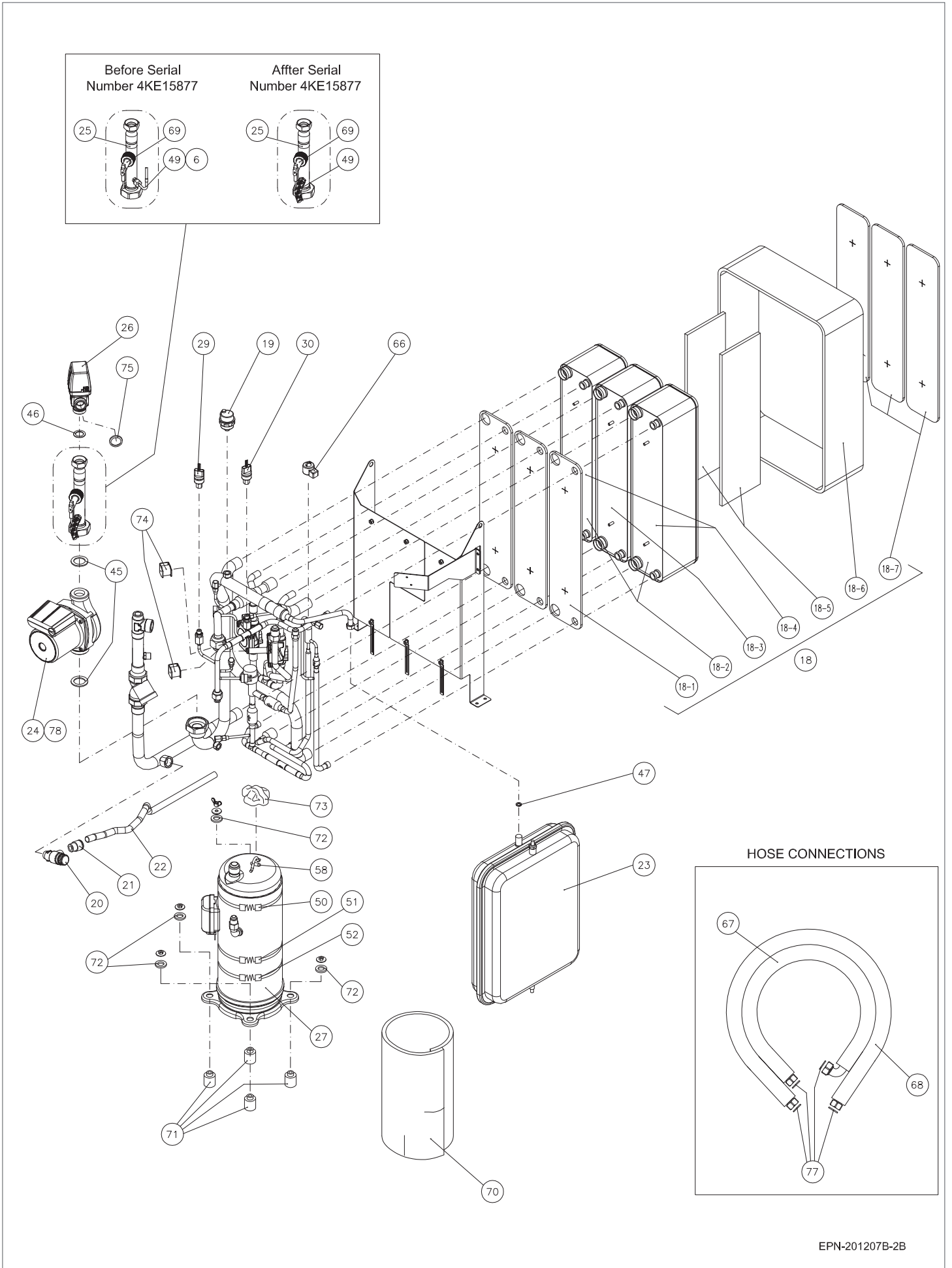


No.	DESCRIPTION	DWG No.	PART No.	PRODUCT CODE		MODEL NAME		PC-S80TE		REMARKS
				Qty	Qty	Qty	Qty	Qty	Qty	
1	B-Base	XEK24325 A	E03246	1	1	1	1	1	1	
2	Foot	XEK37270 A	E03247	4	4	4	4	4	4	
3	Filter	XEK37440 A	E03248	1	1	1	1	1	1	
4	Pressure Port	XEK37429 A	E03249	2	2	2	2	2	2	Before Serial Number 4KE15877
4	Mini Valve	XEK37900 A	E03745	2	2	2	2	2	2	After Serial Num 4KE15877
5	NUT	XEK37438 A	E03250	2	2	2	2	2	2	Before Serial Number 4KE15877
5	UNION	XEK37965 A	E03747	2	2	2	2	2	2	After Serial Num 4KE15877
6	GASKETCU	XEK40037 A	E02757	4	4	4	4	4	4	Before Serial Number 4KE15877
6	NUT	XEK37966 A	E03746	2	2	2	2	2	2	After Serial Num 4KE15877
7	Manometer	XEK36141 A	E02493	1	1	1	1	1	1	
8	Partition Plate	XEK37318 A	E03251	1	1	1	1	1	1	
9	M5SUS Screw	17D30319 C	E03120	2	2	2	2	2	2	
10	COUPLING	XEK37263 A	E03252	8	8	8	8	8	8	
11	Upper Cover L Assy	XEK24413 A	E03253	1	1	1	1	1	1	Insulation Included.
12	Rear Cover Down Assy	XEK24414 A	E03254	1	1	1	1	1	1	Insulation Included.
13	Side Cover R Assy	XEK24415 A	E03255	1	1	1	1	1	1	Insulation Included.
14	Side Cover L Assy	XEK24416 A	E03256	1	1	1	1	1	1	Insulation Included.
15	Upper Cover S	XEK24306 A	E03257	1	1	1	1	1	1	
16	Front Cover Down	XEK24302 A	E03258	1	1	1	1	1	1	
17	Pin	XEK37262 A	E03259	8	8	8	8	8	8	
18	PHEX Unit	XEK12148 A	E03260	1	1					Assembly from (18-1 ~ 18-7).
18	PHEX Unit	XEK12148 B	E03261			1	1	1	1	Assembly from (18-1 ~ 18-7).
18-1	Insulation	XEK36246 B	E03262	3	3	3	3	3	3	
18-2	Plate HEX	XEK23615 A	E02485			2	2	2	2	
18-3	Plate HEX	XEK23615 A	E02485	1	1	1	1	1	1	
18-4	Plate HEX	XEK23614 A	E02484	2	2					
18-5	Insulation	XEK37278 A	E03263	2	2	2	2	2	2	
18-6	Insulation	XEK37277 A	E03264	1	1	1	1	1	1	
18-7	Insulation	XEK36247 A	E03265	3	3	3	3	3	3	
19	Air Purge	XEK35611 A	E01909	1	1	1	1	1	1	
20	Security Valve	XEK37800 A	E02475	1	1	1	1	1	1	
21	Union	XEK37432 A	E03266	1	1	1	1	1	1	
22	Drain Pipe	XEK37431 A	E03267	1	1	1	1	1	1	
23	Expansion Vessel 12L	XEK24277 A	E03268	1	1	1	1	1	1	Gasket 47 not included.
24	Pump	XEK23771 B	E03269	1	1	1	1	1	1	Gaskets 45 not included.
25	Pipe 1 Assy	XEK37307 A	E03270	1	1	1	1	1	1	Before Serial Number 4KE15877
25	Pipe 1 Assy	XEK37307 B	E03748	1	1	1	1	1	1	After Serial Num 4KE15877
26	3 Way Valve	XEK37272 A	E03271	1	1	1	1	1	1	Gaskets 46 and 75 not included.
27	COMP H405DHD-64A1	17F08506 A	E03272	1	1	1	1	1	1	
27	COMP H405DHD-64D1	17F08507 A	E03273	1	1	1	1	1	1	
28	Pressure Switch	XEK37744 A	E02494	1	1	1	1	1	1	Before Serial Number 4KE27700
29	P-Sensor	17B35964 A	P26013	1	1	1	1	1	1	Pd
30	P-Sensor	17B35965 A	P26014	1	1	1	1	1	1	Ps
31	Water Strainer Unit	XEK38101 A	E03830	1	1	1	1	1	1	Before Serial Number 4KE15877
31	Water Strainer	XEK37895 A	E03749	1	1	1	1	1	1	After Serial Num 4KE15877
31-1	Mesh	XEK36972 B	E02948	1	1	1	1	1	1	Before Serial Number 4KE15877
31-1	Mesh	XEK36972 C	E03750	1	1	1	1	1	1	After Serial Num 4KE15877
31-2	Gasket	XEK36974 A	E02949	1	1	1	1	1	1	Before Serial Number 4KE15877
31-2	Gasket	XEK36974 B	E03751	1	1	1	1	1	1	After Serial Num 4KE15877
32	Expansion Valve	17C87883 B	E01716	1	1	1	1	1	1	1st Cycle.
33	Expansion Valve	17C73727 A	P24691	1	1	1	1	1	1	2nd Cycle.
34	Strainer	17G62700 A	E01206	2	2	2	2	2	2	
35	Strainer	17G62701 B	P25037	1	1	1	1	1	1	
36	Strainer	17G55723 B	P26467	1	1	1	1	1	1	
37	Flare Nut	25JR0900	E02489	1	1	1	1	1	1	Liquid Connection.
38	Union	27JR0913	E02487	1	1	1	1	1	1	Liquid Connection.
39	Check Ja	17C75461 A	E01160	2	2	2	2	2	2	R410A
40	Check Ja	17B41177 B	E03274	3	3	3	3	3	3	R134a
41	Body	17C78432 A	E03275	2	2	2	2	2	2	Before Serial Number Pending (Dec'13/Mid)
41	Body	XEK37785 A	E03798	2	2	2	2	2	2	After Serial Num Pending (Dec'13/Mid)
42	Flare Nut	25JR1700	E02490	1	1	1	1	1	1	Gas Connection.
43	Union	27JR1717	E02488	1	1	1	1	1	1	Gas Connection.

PRODUCT CODE	MODEL NAME	7E480007	7E480107	7E480008	7E480108	7E480009	7E480109	7E543001
		RWH-4.0FSVNF, 1- 230V 50Hz	RWH-4.0FSNFE, 3N- 400V 50Hz	RWH-5.0FSVNF, 1- 230V 50Hz	RWH-5.0FSNFE, 3N- 400V 50Hz	RWH-6.0FSVNF, 1- 230V 50Hz	RWH-6.0FSNFE, 3N- 400V 50Hz	PC-S80TE

No.	DESCRIPTION	DWG No.	PART No.	Qty	Qty	Qty	Qty	Qty	Qty	Qty	REMARKS
44	Pressure Switch	XEK36933 A	E03276	1	1	1	1	1	1		
45	Gasket	XEK35682 A	E02496	2	2	2	2	2	2		For Pump connections.
46	Gasket	XEK36397 A	E02528	1	1	1	1	1	1		3 Way Valve
47	Gasket	XEK36144 A	E02497	2	2	2	2	2	2		For Expansion Vessel and Mini Valve connection. After Serial Num 4KE15877
48	Pressure Port Hose	XEK24406 A	E03277	1	1	1	1	1	1		Before Serial Number 4KE15877
48	Flexible Pipe	XEK24724 B	E03752	1	1	1	1	1	1		Water. After Serial Num 4KE15877
49	Pressure Port Hose	XEK24406 B	E03278	1	1	1	1	1	1		Before Serial Number 4KE15877
49	Flexible Pipe	XEK24724 D	E03753	1	1	1	1	1	1		Water. After Serial Num 4KE15877
50	Heater Harness	XEK37370 A	E03279	1	1	1	1	1	1		Before Serial Number 4KE27700
50	Heater Harness	XEK37970 A	E03805	1	1	1	1	1	1		After Serial Num 4KE27700
51	Heater Harness	XEK37370 B	E03280	1	1	1	1	1	1		Before Serial Number 4KE27700
51	Heater Harness	XEK37970 B	E03806	1	1	1	1	1	1		After Serial Num 4KE27700
52	Heater Harness	XEK37370 C	E03281	1	1	1	1	1	1		Before Serial Number 4KE27700
52	Heater Harness	XEK37970 C	E03807	1	1	1	1	1	1		After Serial Num 4KE27700
53	HRN DHWT Switch	XEK24366 A	E03282	1	1	1	1	1	1		Switch for emergency operation. Before Serial Number 4KE27700
54	Thermistor Assy	XEK24362 A	E03283	1	1	1	1	1	1		THML (Liquid). Before Serial Number 4KE27700
54	Thermistor Assy 2	XEK24667 B	E03811	1	1	1	1	1	1		THML (Liquid). After Serial Num 4KE27700
55	Thermistor Assy	XEK24362 B	E03284	1	1	1	1	1	1		THMG (Gas). Before Serial Number 4KE27700
55	Thermistor Assy 2	XEK24667 A	E03810	1	1	1	1	1	1		THMG (Gas). After Serial Num 4KE27700
56	Thermistor Assy	XEK24362 C	E03285	1	1	1	1	1	1		THMWO (Water Out). Before Serial Number 4KE27700
56	Thermistor Assy 1	XEK24666 B	E03809	1	1	1	1	1	1		THMWO (Water Out). After Serial Num 4KE27700
57	Thermistor Assy	XEK24362 D	E03286	1	1	1	1	1	1		THMWI (Water In). Before Serial Number 4KE27700
57	Thermistor Assy 1	XEK24666 A	E03808	1	1	1	1	1	1		THMWI (Water In). After Serial Num 4KE27700
58	Thermistor Assy	XEK24362 E	E03287	1	1	1	1	1	1		THMD (Compressor Discharge). Before Serial Number 4KE27700
58	Thermistor Assy 3	XEK24669 B	E03813	1	1	1	1	1	1		THMD (Compressor Discharge). After Serial Num 4KE27700
59	Thermistor Assy	XEK24362 F	E03288	1	1	1	1	1	1		THMEH (Evaporating Heating). Before Serial Number 4KE27700
60	Thermistor Assy	XEK24362 G	E03289	1	1	1	1	1	1		THMEC (Evaporating Cooling). Before Serial Number 4KE27700
61	Thermistor Assy	XEK24362 H	E03290	1	1	1	1	1	1		THMS (Compressor Suction). Before Serial Number 4KE27700
61	Thermistor Assy 3	XEK24669 A	E03812	1	1	1	1	1	1		THMS (Compressor Suction). After Serial Num 4KE27700
62	P-Spring	XEK36252 A	E02551	4	4	4	4	4	4		
63	P-Spring	17G31457 A	E02444	1	1	1	1	1	1		
64	P-Spring	17G27651 B	E02549	1	1	1	1	1	1		
65	P-Spring	17G27651 C	E02550	1	1	1	1	1	1		
66	EXPV COIL	17F08045 A	E03291	1	1	1	1	1	1		
67	Flexible Pipe	XEK37770 A	E03292	1	1	1	1	1	1		
68	Flexible Pipe	XEK37771 A	E03293	1	1	1	1	1	1		
69	Flow Switch	XEK36152 B	E02479	1	1	1	1	1	1		
70	Acoustical Cover	XEK24694 C	E03769	1	1	1	1	1	1		
71	V-P-Rubber 1	17D49474 A	P17308	4	4	4	4	4	4		
72	V-P-Rubber 2	17D21207 A	P13109	4	4	4	4	4	4		
73	Rubber Cap	17B29767 A	E01900	1	1	1	1	1	1		
74	Coil 20	17C64850 B	E01230	2	2	2	2	2	2		Before Serial Number (PENDING)
74	Coil SV	XEK37786 A	E03836	2	2	2	2	2	2		After Serial Number (PENDING)
75	Special Gasket	XEK37481 A	E03294	1	1	1	1	1	1		For 3 Way Valve reduction union.
76	Pressure Port Cap	XEK37071 A	E03295	2	2	2	2	2	2		Water. Before Serial Number 4KE15877
77	Gasket	XEK36144 B	E03832	5	5	5	5	5	5		(4x) Hose connections, (1x) Extra.
78	Harness CN 22	XEK37866 A	E03837	1	1	1	1	1	1		Pump wire connection. After Serial Number 4KE27700
79	Exp. Valve Cord	17C59552 M	E01585	1	1	1	1	1	1		Expansion Valve Wire (MV1). After Serial Number 4KE27700
80	Harness 63H	XEK36605 B	E03839	1	1	1	1	1	1		High Pressure Switch wire connection (63H). After Serial Num 4KE27700
81	LCD Control	XEK37855 C	E03235							1	
82	HRN LCD	XEK24364 B	E03317							1	(4000mm)





PIPE ASSY

