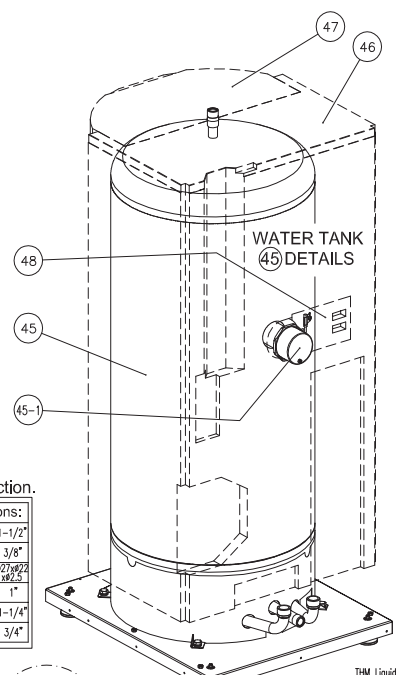
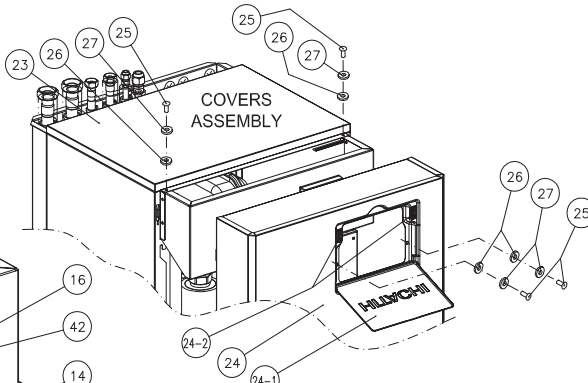
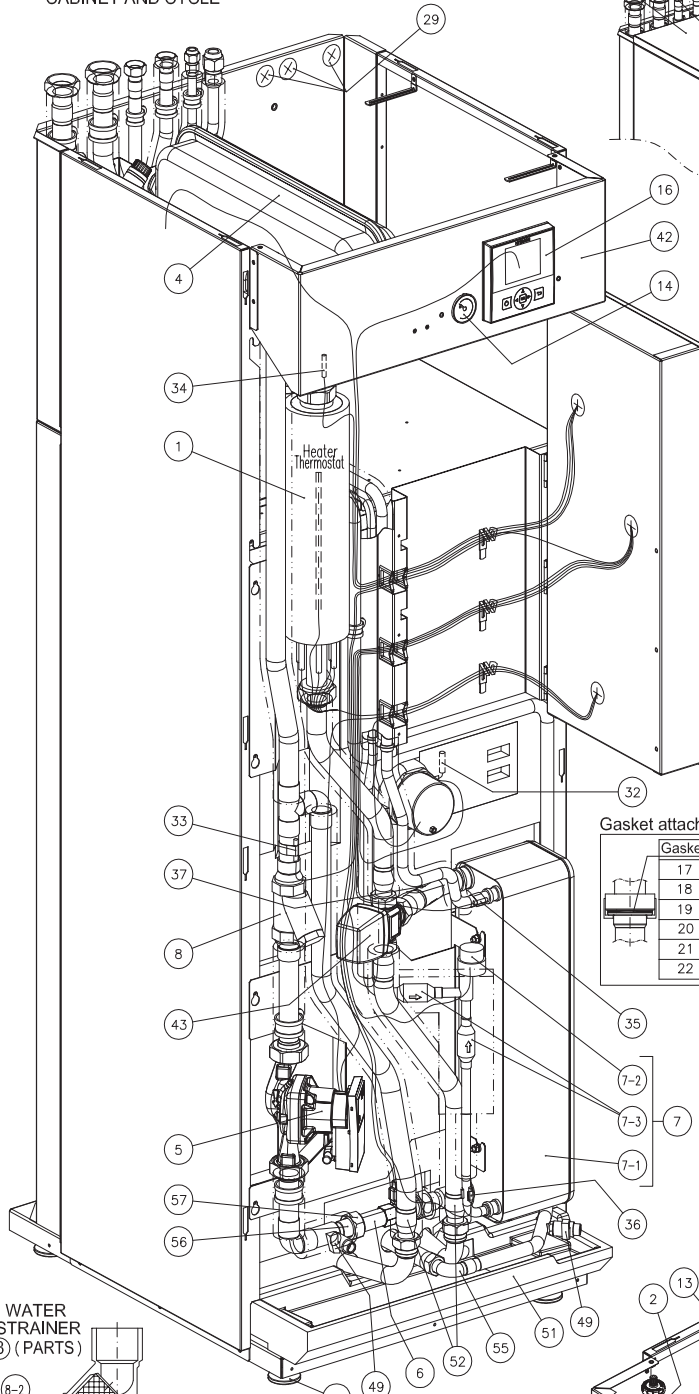


No.	DESCRIPTION	DWG No.	PART No.	PRODUCT CODE												REMARKS
				MODEL NAME												
				7E481103	7E481105	7E481107	7E481108	7E481109	7E481303	7E481305	7E481307	7E481308	7E481309			
1	Electric Heater Unit	XEK38106 A	E04038	1	1				1	1				Gaskets not included		
1	Electric Heater Unit	XEK38106 B	E04039			1	1	1				1	1	Gaskets not included		
2	Air Purge	XEK38252 A	E04040	1	1	1	1	1	1	1	1	1	1			
3	Security Valve	XEK37800 A	E02475	1	1	1	1	1	1	1	1	1	1			
4	Expansion Vessel 6L	XEK23610 A	E02476	1	1	1	1	1	1	1	1	1	1			
5	Pump	XEK24945 A	E04041	1	1				1	1				Gaskets and Pump Insulation 30 not included		
5	Pump	XEK24948 A	E04042			1	1	1				1	1	Gaskets and Pump Insulation 30 not included		
6	Flow Meter Assy	XEK38062 A	E04043	1	1	1	1	1	1	1	1	1	1	Gaskets not included		
7	PHEX Unit	XEK24850 A	E04044	1					1					Assembly (7-1 to 7-3 included)		
7	PHEX Unit	XEK24850 B	E04045		1					1				Assembly (7-1 to 7-3 included)		
7	PHEX Unit	XEK24850 C	E04046			1					1			Assembly (7-1 to 7-3 included)		
7	PHEX Unit	XEK24850 D	E04047				1	1				1	1	Assembly (7-1 to 7-3 included)		
7-1	Plate HEX	XEK23613 A	E02483	1	1				1	1						
7-1	Plate HEX	XEK23614 A	E02484			1						1				
7-1	Plate HEX	XEK23615 A	E02485				1	1					1	1		
7-2	Expansion Valve	17C87881 B	E00580	1					1							
7-2	Expansion Valve	17C87882 B	E00856		1	1				1	1					
7-2	Expansion Valve	17C87883 B	E01716					1	1				1	1		
7-3	Strainer	17G62700 A	E01206	2	2	2	2	2	2	2	2	2	2	2		
8	Water Strainer	XEK37895 A	E03749	1	1	1	1	1	1	1	1	1	1	Body + Mesh + Gasket		
8-1	Mesh	XEK36972 C	E03750	1	1	1	1	1	1	1	1	1	1	Ø36 x L43		
8-2	Gasket	XEK36974 B	E03751	1	1	1	1	1	1	1	1	1	1	Ø41,4 x Ø36,2 x Ø2,6		
9	Union	27JR0609	E02935	1					1					Liquid Connection		
9	Union	27JR0913	E02487		1	1	1	1		1	1	1	1	Liquid Connection		
10	Union	27JR1717	E02488	1	1	1	1	1	1	1	1	1	1	Gas Connection		
11	Flare Nut	25JR0600	E02936	1					1					Liquid Connection		
11	Flare Nut	25JR0900	E02489		1	1	1	1		1	1	1	1	Liquid Connection		
12	Flare Nut	25JR1700	E02490	1	1	1	1	1	1	1	1	1	1	Gas Connection		
13	Flexible Pipe	XEK24724 G	E04048	1	1	1	1	1	1	1	1	1	1	Vessel Connection		
14	Manometer	XEK38030 A	E03800	1	1	1	1	1	1	1	1	1	1			
15	Pressure Switch	XEK37744 A	E02494	1	1	1	1	1	1	1	1	1	1			
16	LCD Control	XEK37855 E	E04049	1	1	1	1	1	1	1	1	1	1			
17	Gasket	XEK35682 A	E02496	4	4	4	4	4	4	4	4	4	4	for Electric Heater and Pump connections		
18	Gasket	XEK36144 A	E02497	2	2	2	2	2	2	2	2	2	2	for Mini Valves connection		
19	Gasket	XEK38013 A	E04050	2	2	2	2	2	2	2	2	2	2	for Flow Meter connections		
20	Gasket	XEK36397 A	E02528	5	5	5	5	5	5	5	5	5	5	for 3 Way Valve and Tank Coil connections ( 1" )		
21	Gasket	XEK36397 B	E04051	2	2	2	2	2	2	2	2	2	2	for Water IN/OUT ( 1-1/4" )		
22	Gasket	XEK36397 C	E04052	4	4	4	4	4	4	4	4	4	4	for Tank Water IN/OUT and DHWT IN/OUT ( 3/4" )		
23	Upper Cover	XEK24864 A	E04053	1	1	1	1	1	1	1	1	1	1			
24	Service Cover Assy	XEK24872 A	E04054	1	1	1	1	1	1	1	1	1	1	Assembly (Screws and Washers not included)		
24-1	LCD Cover	---	E02499	1	1	1	1	1	1	1	1	1	1	Assembly (LCD Cover + Shaft + Washers)		
24-2	Magnet	XEK36622 A	E02500	2	2	2	2	2	2	2	2	2	2			
25	Screw	XEK40091 A	E02501	4	4	4	4	4	4	4	4	4	4	for Service Cover Assy and Upper Cover fixing		
26	Nylon Washer	XEK40093 B	E02547	4	4	4	4	4	4	4	4	4	4	for Service Cover Assy and Upper Cover fixing (material: nylon)		
27	Washer	01VF0400	E02548	4	4	4	4	4	4	4	4	4	4	for Service Cover Assy and Upper Cover fixing (material: steel)		
28	Shutdown Valve	XEK38195 A	E04055	2	2	2	2	2	2	2	2	2	2			
29	Rubber Bush	XEK32468 A	E02060	3	3	3	3	3	3	3	3	3	3			
30	Pump Insulation	XEK24858 A	E04056	1	1	1	1	1	1	1	1	1	1	only insulation around the Pump		
31	Union	XEK36303 A	E02507	1	1	1	1	1	1	1	1	1	1	for Security Valve drain connection		
32	Thermistor Assy 1	XEK24666 C	E04057	1	1	1	1	1	1	1	1	1	1	THM DHWT (Tank surface)		
33	Thermistor Assy 1	XEK24666 D	E04058	1	1	1	1	1	1	1	1	1	1	THM WI (Water In)		
34	Thermistor Assy 1	XEK24666 E	E04059	1	1	1	1	1	1	1	1	1	1	THM WO (Water Out)		
35	Thermistor Assy 2	XEK24785 A	E04060	1	1	1	1	1	1	1	1	1	1	THM G (Gas)		
36	Thermistor Assy 2	XEK24785 B	E04061	1	1	1	1	1	1	1	1	1	1	THM L (Liquid)		
37	Thermistor Assy 2	XEK24785 D	E04062	1	1	1	1	1	1	1	1	1	1	THM WOHP (Water Out PHEX)		
38	Drain Pipe	XEK36103 A	E02546	1	1	1	1	1	1	1	1	1	1	Vinyl Tube (diameter 16mm - 1 meter length)		
39	P-Spring	17G27651 B	E02549	1	1	1	1	1	1	1	1	1	1	for liquid THM fixing		
40	P-Spring	17G27651 C	E02550	1	1	1	1	1	1	1	1	1	1	for gas THM fixing		
41	P-Spring	XEK36252 A	E02551	6	6	6	6	6	6	6	6	6	6	for water THM fixing		
42	Control Support	XEK24841 A	E04063	1	1	1	1	1	1	1	1	1	1			

No.	DESCRIPTION	DWG No.	PART No.	MODEL NAME										REMARKS
				RWD-2.0FSNWE-200S	RWD-3.0FSNWE-200S	RWD-4.0FSNWE-200S	RWD-5.0FSNWE-200S	RWD-6.0FSNWE-200S	RWD-2.0HFSNWE-200S	RWD-3.0HFSNWE-200S	RWD-4.0HFSNWE-200S	RWD-5.0HFSNWE-200S	RWD-6.0HFSNWE-200S	
				PRODUCT CODE										
				7E481103	7E481105	7E481107	7E481108	7E481109	7E481303	7E481305	7E481307	7E481308	7E481309	
43	3 Way Valve Assy	XEK24882 A	E04064	1	1	1	1	1	1	1	1	1	1	Gaskets not included
44	Foot	XEK37270 A	E03247	4	4	4	4	4	4	4	4	4	4	
45	Water Tank 200L	XEK01393 A	E04083	1	1	1	1	1	1	1	1	1	1	Gaskets not included
45-1	Tank Heater	XEK38403 A	E04088	1	1	1	1	1	1	1	1	1	1	2,75 kw (Thermostat and gasket D57x3,5 included)
46	Front Insulation	XEK12322 B	E04084	1	1	1	1	1	1	1	1	1	1	for Water Tank Insulation
47	Back Insulation	XEK12321 B	E04085	1	1	1	1	1	1	1	1	1	1	for Water Tank Insulation
48	TH Insulation	XEK24863 A	E04068	1	1	1	1	1	1	1	1	1	1	for Water Tank Insulation
49	Mini Valve	XEK38297 A	E04069	2	2	2	2	2	2	2	2	2	2	Gaskets not included
50	Handle	17C71740 A	E01897	2	2	2	2	2	2	2	2	2	2	
51	Drain Pan	XEK12340 A	E04070	1	1	1	1	1						
52	Union	XEK36394 A	E02531	5	5	5	5	5	5	5	5	5	5	Water Connections 1"
53	Union	XEK36394 B	E04071	2	2	2	2	2	2	2	2	2	2	Water Connections 1-1/4"
54	Union	XEK36394 C	E04072	3	3	3	3	3	3	3	3	3	3	Water Connections 3/4"
55	Union	XEK38176 A	E04073	1	1	1	1	1	1	1	1	1	1	Water Connections 3/4" (with bending)
56	Union	XEK38006 A	E04074	2	2	2	2	2	2	2	2	2	2	Flow Meter Connections
57	Nut	XEK38005 A	E04075	2	2	2	2	2	2	2	2	2	2	Flow Meter Connections

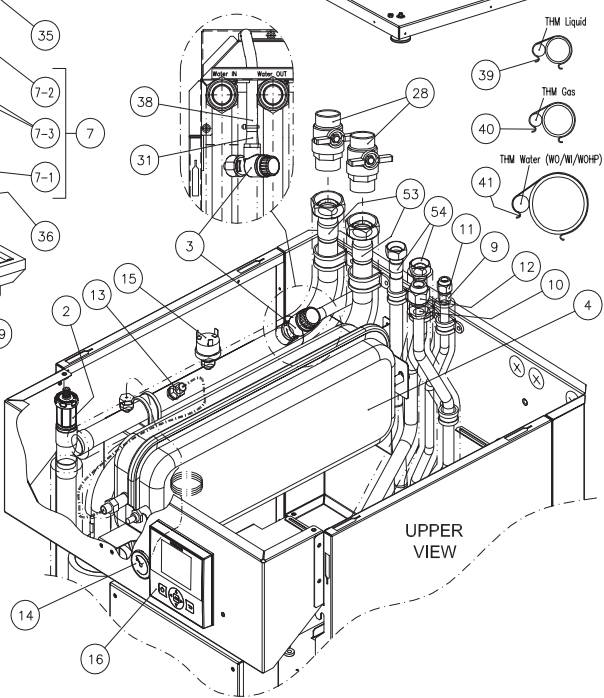
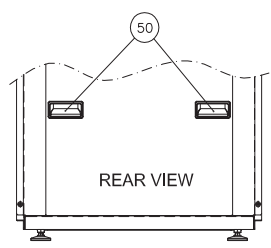
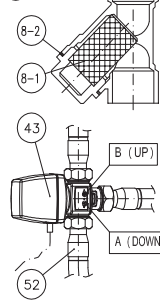
CABINET AND CYCLE



Gasket attaching instruction.

Gasket	Connections:
17	-Electric Heater, 1-1/2"
18	-Mini Valve, 3/8"
19	-Flow Meter, #27x#22
20	-3 Way Valve, #27x#22
21	-Tank Coil, 1"
22	-Water IN/OUT, 1-1/4"
	-THM IN/OUT, 3/4"

WATER STRAINER 8 (PARTS)



No.	DESCRIPTION	DWG No.	PART No.	MODEL NAME											REMARKS
				7E481103	7E481105	7E481107	7E481108	7E481109	7E481303	7E481305	7E481307	7E481308	7E481309		
1	PCB1	XEK36406 D	E03829	1	1	1	1	1	1	1	1	1	1	1	
2	PCB2	17F02768 A	E03774	1	1	1	1	1	1	1	1	1	1	1	
3	Transformer 1	XEK38039 A	E04076	1	1	1	1	1	1	1	1	1	1	1	
4	Transformer 2	XEK38039 B	E04077	1	1	1	1	1	1	1	1	1	1	1	
5	Relay	XEK36080 A	E02198	1	1	1	1	1	1	1	1	1	1	1	15 A
6	Fuse	XEK37363 A	E00003	1	1	1	1	1	1	1	1	1	1	1	3,15 A
7	Fuse	XEK32373 A	EC00035	3	3				3	3					6 A
7	Fuse	XEK32373 C	EC00071			3	3	3				3	3	3	12 A
8	Fuse	XEK32373 E	EC00454	1	1	1	1	1	1	1	1	1	1	1	16 A
9	Fuse Holder	17C68766 A	E02516	1	1	1	1	1	1	1	1	1	1	1	
10	Fuse Holder	17C66740 A	E01015	4	4	4	4	4	4	4	4	4	4	4	
11	Magnetic Contactor	XEK23686 A	E02517	2	2	2	2	2	2	2	2	2	2	2	12 A
12	Terminal Board	17P00835 N	E02792	1	1	1	1	1	1	1	1	1	1	1	
13	Terminal Board	XEK34375 A	E02519	1	1	1	1	1	1	1	1	1	1	1	
14	Spacer	XEK30992 B	P19112	10	10	10	10	10	10	10	10	10	10	10	
15	Spark Killer	17C15431 A	P14366	7	7	7	7	7	7	7	7	7	7	7	
16	Clamp	XEK31150 A	E02012	1	1	1	1	1	1	1	1	1	1	1	
17	Rubber Bush	XEK32468 A	E02060	9	9	9	9	9	9	9	9	9	9	9	
18	Electrical Box	XEK01349 A	E04078	1	1				1	1					Assembly (Components + Harness)
18	Electrical Box	XEK01349 B	E04079			1	1	1				1	1	1	Assembly (Components + Harness)
19	E-Box Cover Assy	XEK38050 A	E04080	1	1	1	1	1	1	1	1	1	1	1	(Plate + Labels)
20	E-Box SubAssy	XEK24786 A	E04081	1	1	1	1	1	1	1	1	1	1	1	Only plate (without components)
21	Rocker Switch	XEK37911 A	E03828	1	1	1	1	1	1	1	1	1	1	1	
22	Thermostat	XEK38058 A	E04082	1	1	1	1	1	1	1	1	1	1	1	

