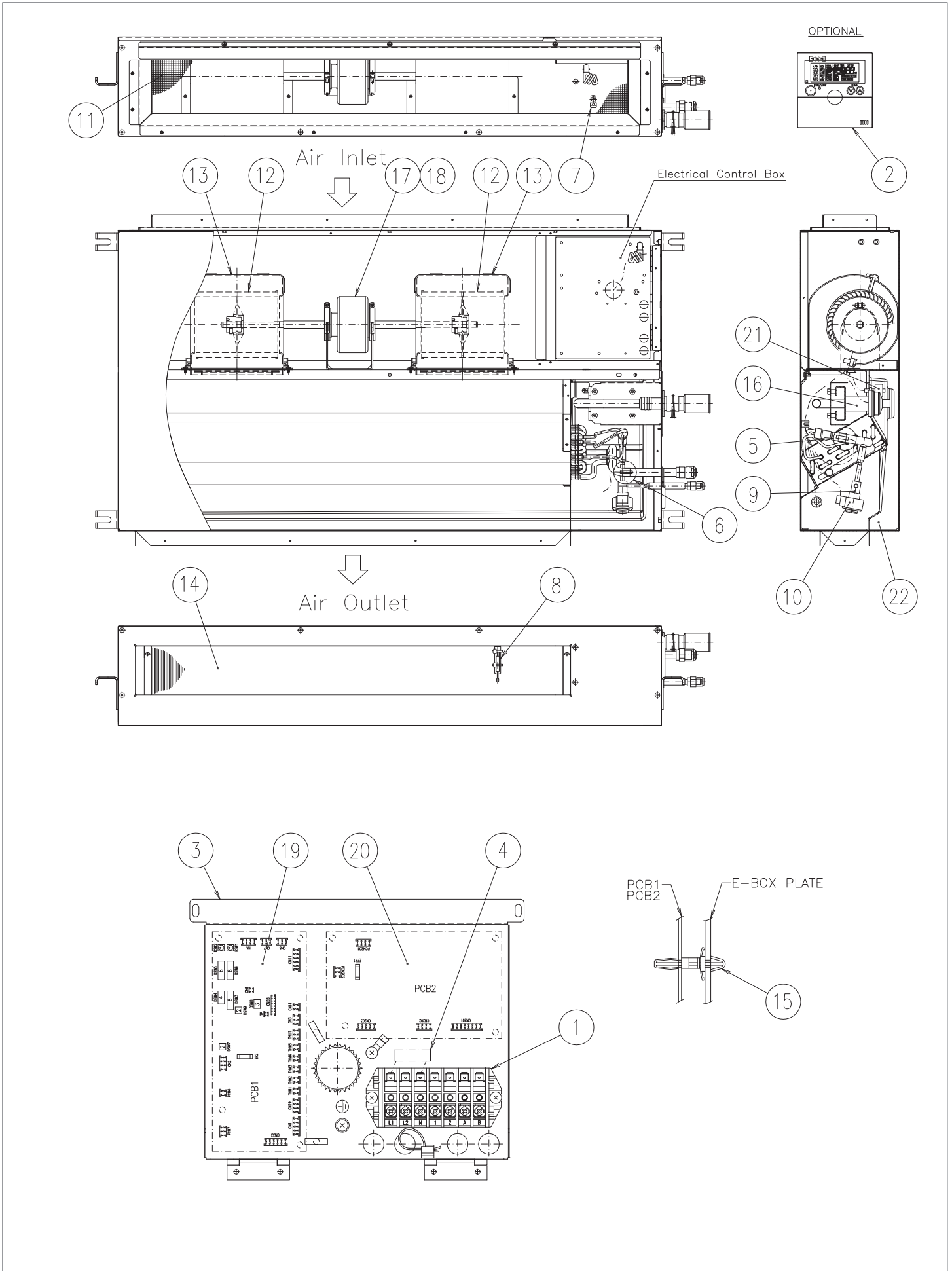
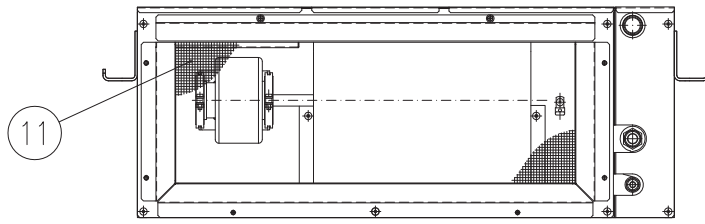


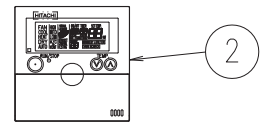
PRODUCT CODE	MODEL NAME
7E424037	RPI-0.6FSN4E, 1~ 230V 50Hz
7E424013	RPI-0.8FSN4E, 1~ 230V 50Hz
7E424014	RPI-1.0FSN4E, 1~ 230V 50Hz
7E424015	RPI-1.5FSN4E, 1~ 230V 50Hz
7E430037	RPIM-0.6FSN4E 1~ 230V 50Hz
7E430013	RPIM-0.8FSN4E 1~ 230V 50Hz
7E430014	RPIM-1.0FSN4E 1~ 230V 50Hz
7E430015	RPIM-1.5FSN4E 1~ 230V 50Hz
7E431037	RPIM-0.6FSN4E-DU 1~230V 50Hz
7E431013	RPIM-0.8FSN4E-DU 1~230V 50Hz
7E431014	RPIM-1.0FSN4E-DU 1~230V 50Hz
7E431015	RPIM-1.5FSN4E-DU 1~230V 50Hz
7E897304	DU-M1E (Drain Pump Kit for RPIM)

No.	DESCRIPTION	DWG No.	PART No.	Qty	Qty	Qty	Qty	Qty	Qty	Qty	Qty	Qty	Qty	Qty	Qty	REMARKS
1	Terminal Board	XEK21159 A	E00750	1	1	1	1	1	1	1	1	1	1	1	1	
2	Remote Control SW	70510000	E01693	1	1	1	1	1	1	1	1	1	1	1	1	PC-ART (Optional)
3	Electrical Box	XEK01216 D	E03795	1												Assembly (Components + Harness)
3	Electrical Box	XEK01216 A	E03174		1											Assembly (Components + Harness)
3	Electrical Box	XEK01216 B	E03175			1										Assembly (Components + Harness)
3	Electrical Box	XEK01216 C	E03176				1									Assembly (Components + Harness)
3	Electrical Box	XEK01215 D	E03794					1				1				Assembly (Components + Harness)
3	Electrical Box	XEK01215 A	E03177						1				1			Assembly (Components + Harness)
3	Electrical Box	XEK01215 B	E03178							1				1		Assembly (Components + Harness)
3	Electrical Box	XEK01215 C	E03179								1				1	Assembly (Components + Harness)
4	Capacitor Assy.	XEK37166 A	E03075	1	1	1	1	1	1	1	1	1	1	1	1	
5	Thermistor	17C74420 B	E00934	1	1	1	1									For Liquid Pipe
5	Thermistor	17C74420 C	E01587					1	1	1	1	1	1	1	1	For Liquid Pipe
6	Thermistor	17C74420 F	E00938	1	1	1	1									For Gas Pipe
6	Thermistor	17C74420 G	E01588					1	1	1	1	1	1	1	1	For Gas Pipe
7	Thermistor	XEK11209 B	E01235	1	1	1	1									For Inlet Air
7	Thermistor	XEK11209 F	E01238					1	1	1	1	1	1	1	1	For Inlet Air
8	Thermistor	XEK11209 H	E01239	1	1	1	1									For Outlet Air
8	Thermistor	XEK11209 K	E01586					1	1	1	1	1	1	1	1	For Outlet Air
9	Expansion Valve	17F04391 A	E03076	1	1	1	1	1	1	1	1	1	1	1	1	(Without Coil)
10	Expansion Valve Coil	17F04390 C	E03180	1	1	1	1	1	1	1	1	1	1	1	1	
11	Filter	XEK34696 A	E01703	1	1	1	1									
11	Filter	XEK34157 A	E01570					1	1	1	1	1	1	1	1	
12	Runner	17B08968 C	E00703	2	2	2	2									
13	Fan Casing	17A11498 A	E00716	2	2	2	2									
13	Runner-Fan Casing Assy.	XEK23962 A	E01437					1	1	1	1	1	1	1	1	Fan Casing + Runner
14	Heat Exchanger	XEK11549 B	E03181	1	1	1										Assembly
14	Heat Exchanger	XEK11550 B	E03182				1									Assembly
14	Heat Exchanger	XEK11551 B	E03183					1	1	1		1	1	1		Assembly
14	Heat Exchanger	XEK11552 B	E03184								1				1	Assembly
15	Spacer	XEK30992 B	P19112	8	8	8	8	8	8	8	8	8	8	8	8	For PCB fixing
16	Drain Pump	17B30151 A	E01101	1	1	1	1					1	1	1	1	Discharge Mechanism (Before S/N 4JE78496)
16	Drain Pump	XEK12151 A	E03241	1	1	1	1					1	1	1	1	Discharge Mechanism (From S/N 4JE78496)
17	Fan Motor	XEK12048 A	E03185	1	1	1	1									
17	Fan Motor	XEK12047 A	E03186					1	1	1	1	1	1	1	1	
18	Fan Assy.	XEK12046 A	E03187	1	1	1	1									Assembly (Motor + Stay + Runners + Casings)
18	Fan Assy.	XEK12045 A	E03188					1	1	1	1	1	1	1	1	Assembly (Motor + Stay + Runner + Casing)
19	PCB1	17B43429 B	E03039	1	1	1	1									Control PCB
19	PCB1	17B43429 D	E03088					1	1	1	1	1	1	1	1	Control PCB
20	PCB2	17B43690 A	E03040	1	1	1	1	1	1	1	1	1	1	1	1	Power PCB
21	Float Switch	17B24618 C	E00726	1	1	1	1									
21	Float Switch	17B24618 A	E01038					1	1	1	1	1	1	1	1	
22	Drain Pan	XEK22895 A	E01714	1	1	1	1									Assembly
22	Drain Pan	XEK22577 A	E01573					1	1	1	1	1	1	1	1	Assembly



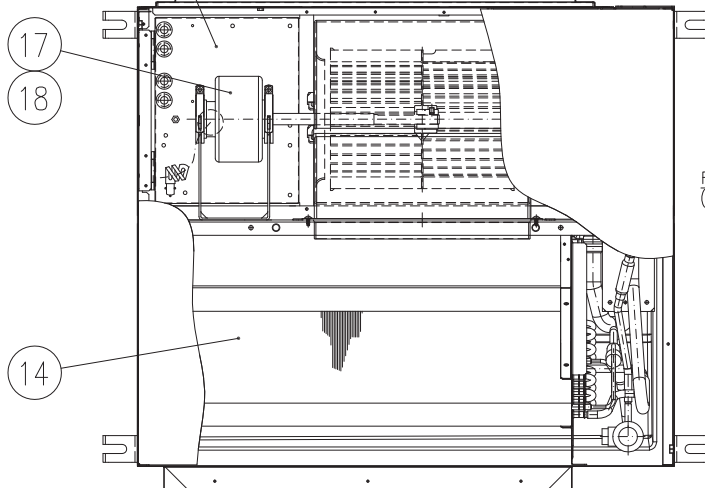


OPTIONAL

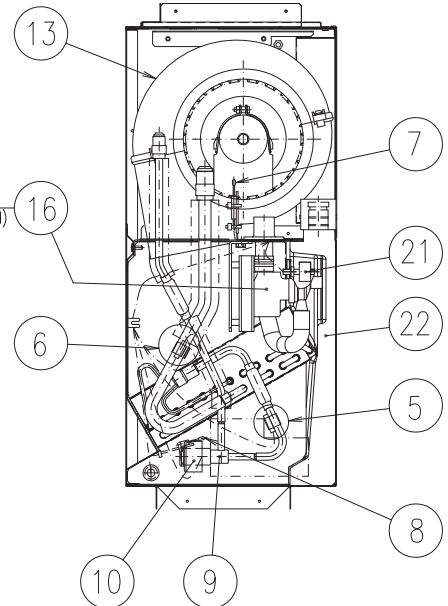


Electrical Control Box

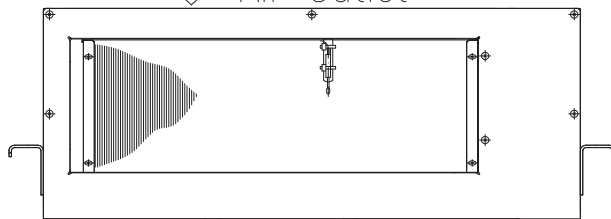
Air Inlet



FSN4E-DU Case
(Factory supplied)



Air Outlet



LOCATION OF ELECTRICAL EQUIPMENT
IN THE ELECTRICAL BOX

DRAIN PUMP KIT DU-M1E
(OPTIONAL ACCESSORY FOR FSN4E MODELS)

