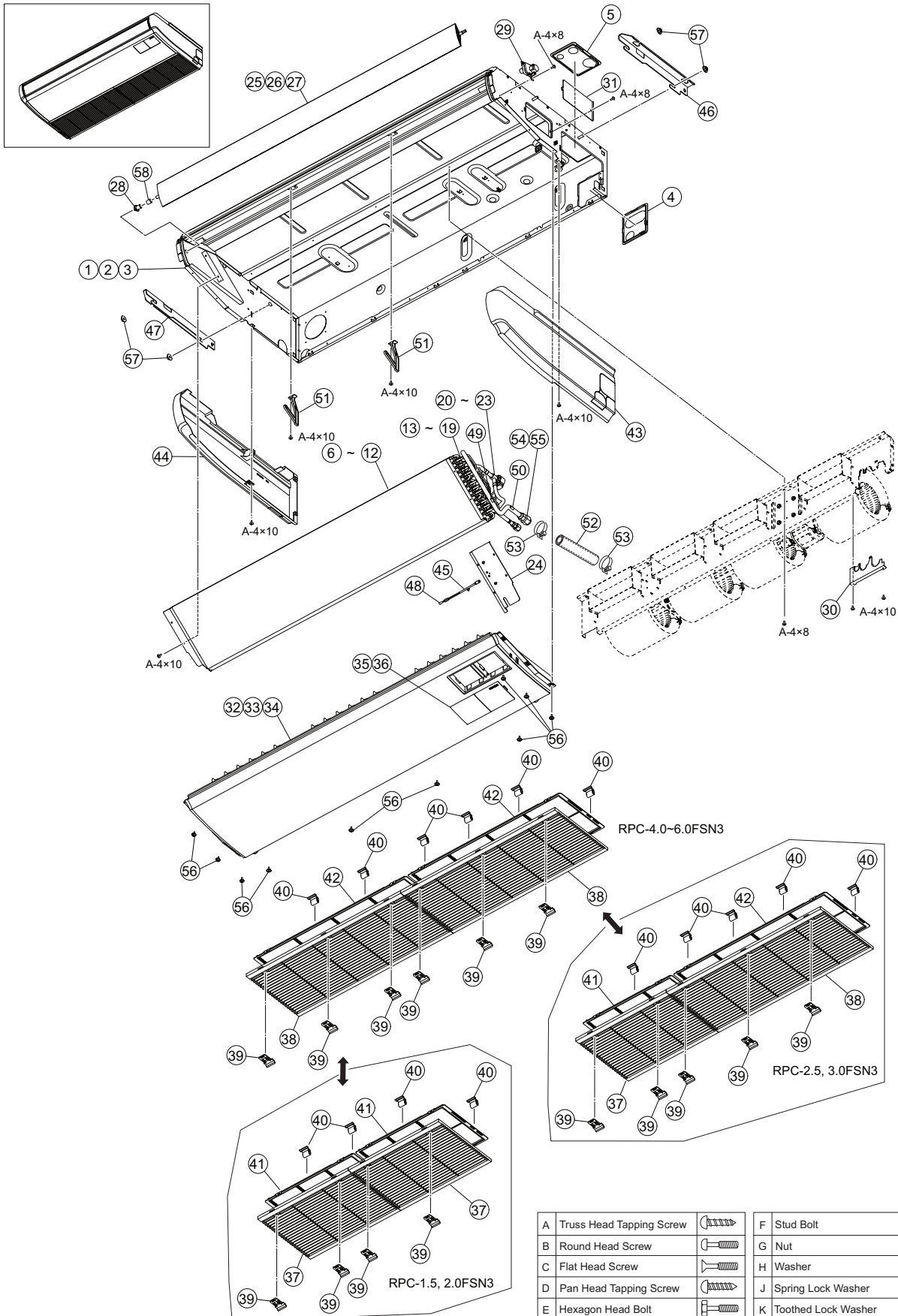


					(P0134x-01)							
					Voltage							
					220-240V/50Hz							
No.	Part Name	Replacement Part		Remarks	Q'ty Per Unit							
		Draw. No.	Order No.		RPC-1.5FSN3	RPC-2.0FSN3	RPC-2.5FSN3	RPC-3.0FSN3	RPC-4.0FSN3	RPC-5.0FSN3	RPC-6.0FSN3	
1	Cabinet Panel Assy	17F09614A			1	1						
2	Cabinet Panel Assy	17F09614B					1	1				
3	Cabinet Panel Assy	17F09614C							1	1	1	
4	Rear Cap	17F09611A	P29294		1	1	1	1	1	1	1	1
5	Cap	17F09612A	P29295		1	1	1	1	1	1	1	1
6	Heat Exchanger	17B43479A		No.20 Expansion Valve x 1, No.54 Flare Nut x 1	1							
7	Heat Exchanger	17B43480B		No.20 Expansion Valve x 1, No.55 Flare Nut x 1		1						
8												
9	Heat Exchanger	17B43481B		No.21 Expansion Valve x 1, No.55 Flare Nut x 1			1	1				
10												
11	Heat Exchanger	17B43482A		No.21 Expansion Valve x 1, No.55 Flare Nut x 1					1			
12	Heat Exchanger	17B43482B		No.22 Expansion Valve x 1, No.55 Flare Nut x 1						1	1	
13	L-Pipe Assy	17F09221A			1							
14	L-Pipe Assy	17F09222A				1						
15												
16	L-Pipe Assy	17F09223B					1	1				
17												
18	L-Pipe Assy	17F09224A							1			
19	L-Pipe Assy	17F09224B								1	1	
20	Expansion Valve	17F04391A	P28701		1	1						
21	Expansion Valve	17F04392A	P28702				1	1	1			
22	Expansion Valve	17F04393A	P28703								1	1
23	Motor for EXPV	17F04390E	P29144		1	1	1	1	1	1	1	1
24	Evap. Partition P.	17H16709A			1	1	1	1	1	1	1	1
25	Louver Assy	17B43632A	P29303		1	1						
26	Louver Assy	17B43632B	P29304				1	1				
27	Louver Assy	17B43632C	P29305						1	1	1	
28	Bearing	17H16571A			1	1	1	1	1	1	1	1
29	AS Motor Assy	17F09581A	P29306		1	1	1	1	1	1	1	1
30	Piping Plate Assy	17H17339A			1	1	1	1	1	1	1	1
31	Cover for Maintaining	17H16642A			1	1	1	1	1	1	1	1
32	Drain Pan Assy	17B43635A	P29307	No.35 Cover x 1, No.36 Cover x 1, No.59 Vertical Blade x 8	1	1						
33	Drain Pan Assy	17B43635B	P29308	No.35 Cover x 1, No.36 Cover x 1, No.59 Vertical Blade x 12			1	1				
34	Drain Pan Assy	17B43635C	P29309	No.35 Cover x 1, No.36 Cover x 1, No.59 Vertical Blade x 18					1	1	1	
35	Cover	17F09485A	P29310		1	1	1	1	1	1	1	1
36	Cover	17F09485B	P29311	with "HITACHI" Logo	1	1	1	1	1	1	1	1
37	Air Inlet Grille	17A22957A	P29312		2	2	1	1				
38	Air Inlet Grille	17A22958A	P29313				1	1	2	2	2	
39	Grille Knob	17F09603A	P29314		4	4	5	5	6	6	6	
40	Grille Support	17C54443A	P22015		4	4	5	5	6	6	6	
41	Filter	17B43560A	P29315		2	2	1	1				
42	Filter	17B43561A	P29316				1	1	2	2	2	
43	Side Cover	17A22901A	P29317		1	1	1	1	1	1	1	1
44	Side Cover	17A22902A	P29318		1	1	1	1	1	1	1	1
45	Thermo Plate	17H16546A			1	1	1	1	1	1	1	1
46	Suspension Plate	17F09608A	P29320	for Right Side	1	1	1	1	1	1	1	1
47	Suspension Plate	17F09608B	P29321	for Left Side	1	1	1	1	1	1	1	1
48	Thermistor	17B24598J	P22668	THM2 for Air Outlet	1	1	1	1	1	1	1	1

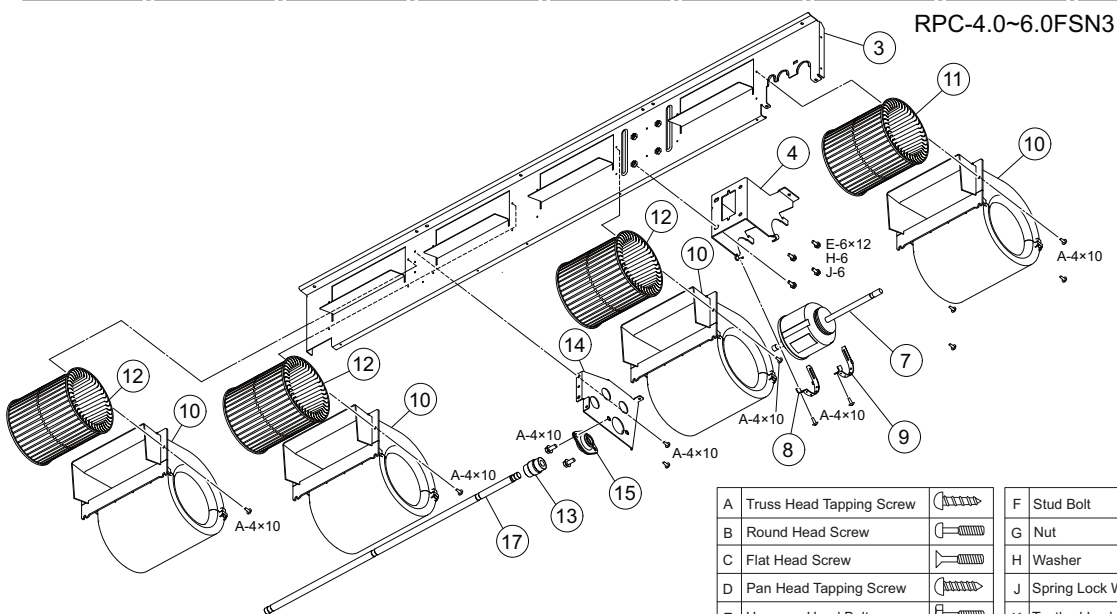
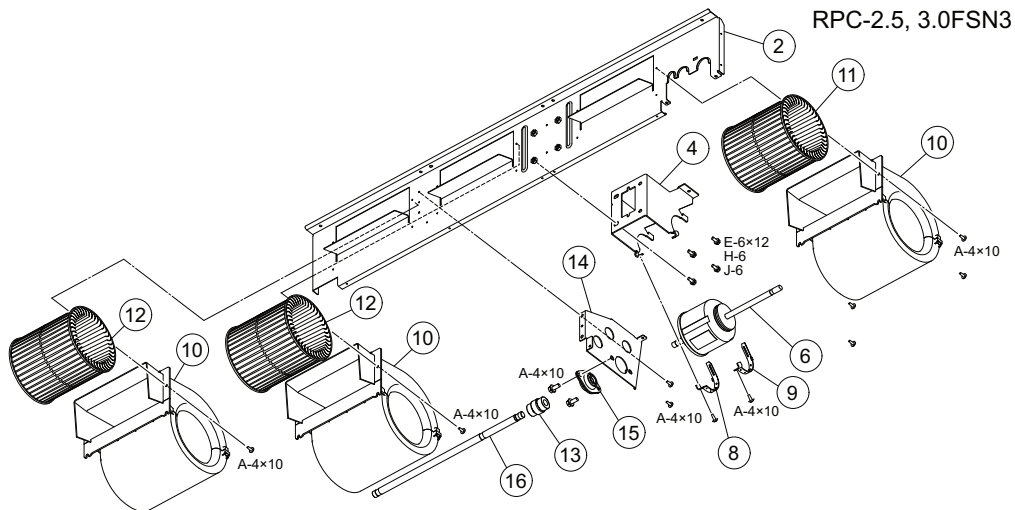
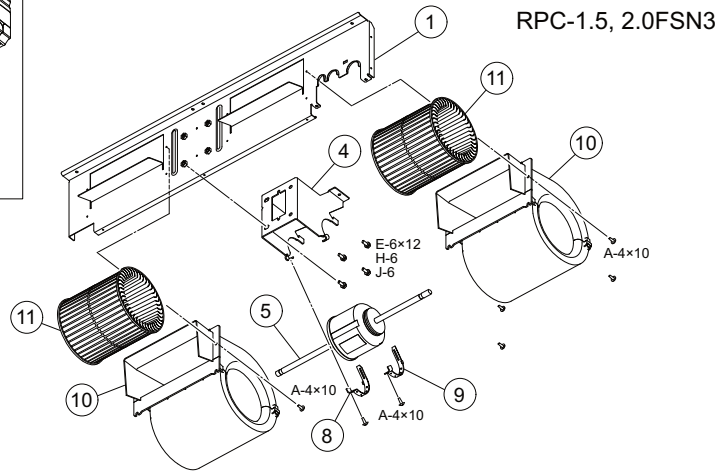
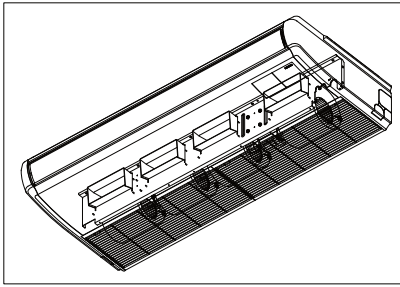
NOTE:

The parts without order number are the custom-ordered, and these are not mentioned in the price list. When ordering them, the part name and the drawing number are required. Contact your HITACHI distributor for the delivery date and price about them.



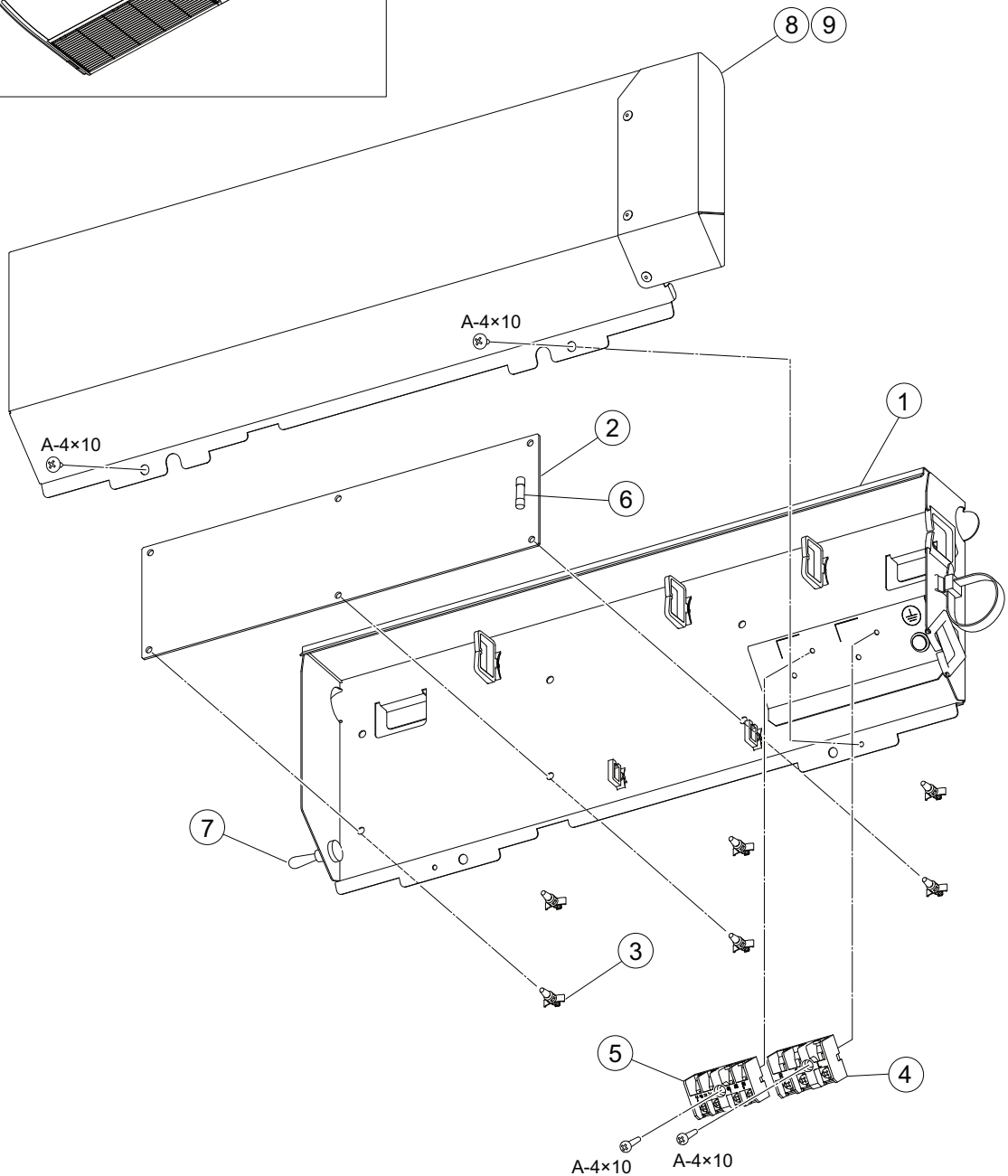
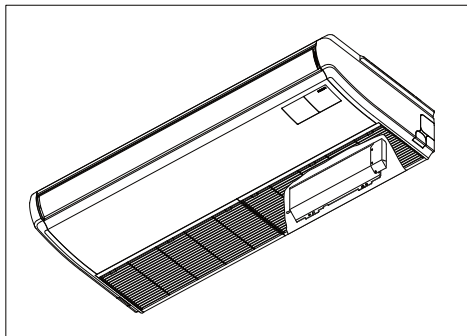
A	Truss Head Tapping Screw		F	Stud Bolt	
B	Round Head Screw		G	Nut	
C	Flat Head Screw		H	Washer	
D	Pan Head Tapping Screw		J	Spring Lock Washer	
E	Hexagon Head Bolt		K	Toothed Lock Washer	

NOTE:
The unchromated coating is applied to iron and steel material for the unspecified materials of the bolt and screw.



A	Truss Head Tapping Screw		F	Stud Bolt	
B	Round Head Screw		G	Nut	
C	Flat Head Screw		H	Washer	
D	Pan Head Tapping Screw		J	Spring Lock Washer	
E	Hexagon Head Bolt		K	Toothed Lock Washer	

NOTE:
The unchromated coating is applied to iron and steel material for the unspecified materials of the bolt and screw.



A	Truss Head Tapping Screw		F	Stud Bolt	
B	Round Head Screw		G	Nut	
C	Flat Head Screw		H	Washer	
D	Pan Head Tapping Screw		J	Spring Lock Washer	
E	Hexagon Head Bolt		K	Toothed Lock Washer	

NOTE:
The unchromated coating is applied to iron and steel material for the unspecified materials of the bolt and screw.