

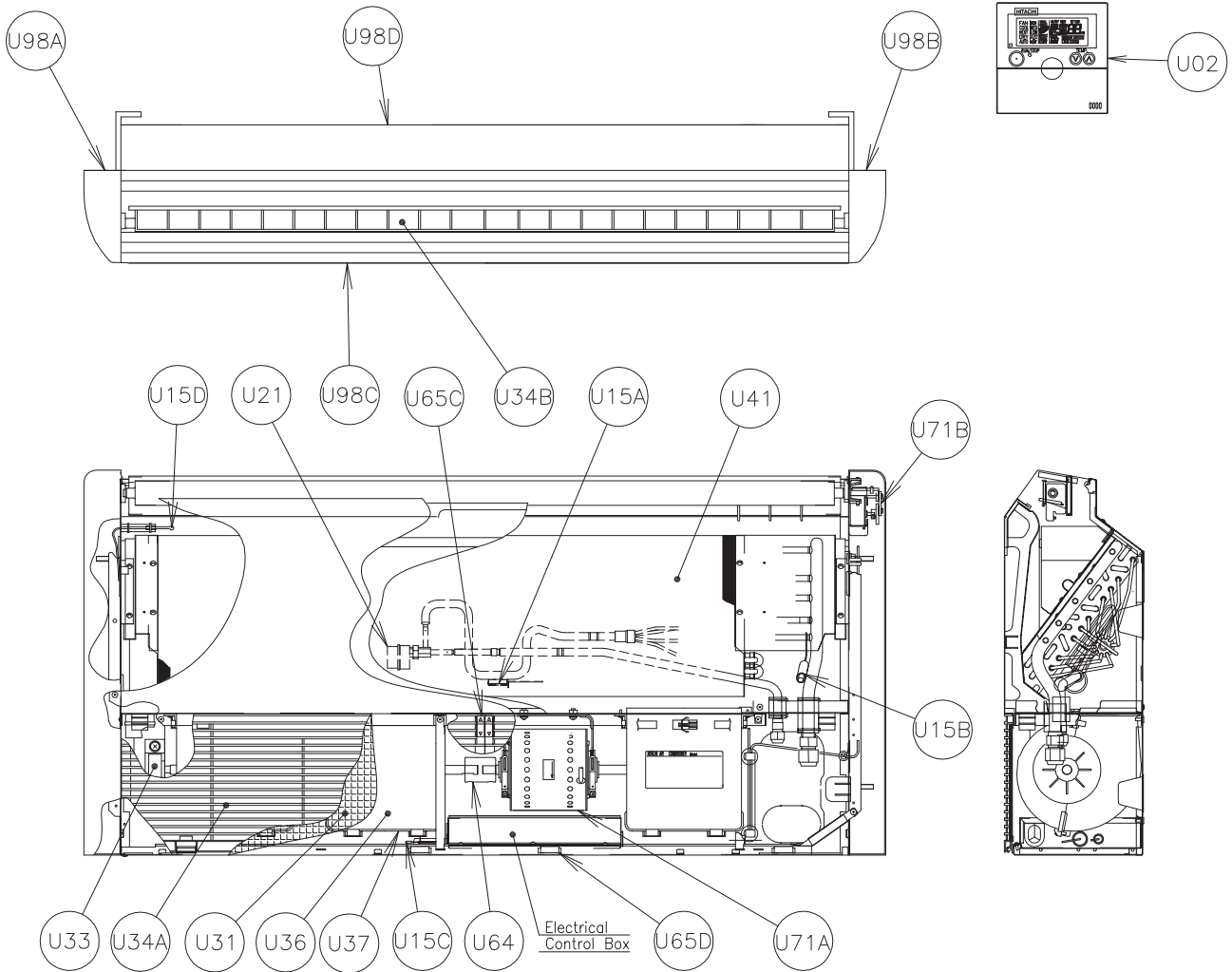
E00457 Fan Assy RPC-2.0FSN2E  
 E00299 Fan Assy RPC-2.5~3.0FSN2E  
 E00522 Fan Assy RPC-4.0FSN2E  
 E00523 Fan Assy RPC-5.0~6.0FSN2E

E00988 Drain Pan RPC-2.0FSN2E  
 E00989 Drain Pan RPC-2.5~4.0FSN2E  
 E00990 Drain Pan RPC-5.0~6.0FSN2E

PRODUCT CODE	MODEL NAME
RPC-2.0FSN2E, 1~ 230V 50Hz 7E440003	
RPC-2.5FSN2E, 1~ 230V 50Hz 7E440004	
RPC-3.0FSN2E, 1~ 230V 50Hz 7E440005	
RPC-4.0FSN2E, 1~ 230V 50Hz 7E440007	
RPC-5.0FSN2E, 1~ 230V 50Hz 7E440008	
RPC-6.0FSN2E, 1~ 230V 50Hz 7E440009	

No.	DESCRIPTION	DWG No.	PART No.	Qty	Qty	Qty	Qty	Qty	Qty	REMARKS
U00	Terminal Board	XEK21159 A	E00750	1	1	1	1	1	1	
U02	Remote Control SW	7E899954	E01516	1	1	1	1	1	1	PC-P2HTE (OPTIONAL)
U14	Capacitor	XEK21680 F	E01007	1						3µF
U14	Capacitor	XEK21680 H	E01009				1			4µF
U14	Capacitor	XEK21680 M	E01013			1				6µF
U14	Capacitor	XEK21680 J	E01010		1					4,5µF
U14	Capacitor	XEK21680 K	E01011					1	1	5µF
U15A	Thermistor	17C74420 C	E01587	1	1	1	1	1	1	Liquid pipe (Freeze Protection)
U15B	Thermistor	17C74420 F	E00938	1	1	1	1	1	1	Gas Pipe
U15C	Thermistor	XEK11209 A	E01203				1	1	1	Air Inlet
U15C	Thermistor	XEK11209 C	E01236	1	1	1				Air Inlet
U15D	Thermistor	XEK11209 H	E01239	1						Air Outlet
U15D	Thermistor	XEK11209 J	E01240		1	1	1	1	1	Air Outlet
U21	Expansion Valve	17C87881 B	E00580	1						
U21	Expansion Valve	17C87882 B	E00856		1	1	1			
U21	Expansion Valve	17C87883 B	E01716					1	1	
U31	Air Filter	17C49816 A	E00569	2				3	3	
U31	Air Filter	17C49817 A	E00570		2	2	2			
U33	Bearing	17C24870 A	P16835	1	1	1	1	1	1	
U34A	Air Intake Grille	XEK10896 A	E00652	2				3	3	Air inlet
U34A	Air Intake Grille	XEK10896 B	E00653		2	2	2			Air inlet
U34B	Grille Assy. A	XEK21261 A	E00780	1						Air Outlet
U34B	Grille Assy. B	XEK21262 A	E00781		1	1	1			Air Outlet
U34B	Grille Assy. C	XEK21263 A	E00782					1	1	Air Outlet
U36	Runner	17B08967 A	P16833	3	4	4				
U36	Runner	17B08968 A	P16834				3	4	4	
U37	Fan Casing	17B18218 A	P17291	3	4	4				
U37	Fan Casing	17B14397 A	P17290				3	4	4	
U41	Heat Exchanger	XEK11503 A	E01770	1						Assembly
U41	Heat Exchanger	XEK11688 A	E01840					1	1	Assembly
U41	Heat Exchanger	XEK11508 A	E01772				1			Assembly
U41	Heat Exchanger	XEK11509 A	E01773		1	1				Assembly
U64	Coupling	17D52919 A	P16908	1	1	1				
U64	Coupling	17D52919 B	P16909				1	1	1	
U65A	Spacer	XEK30992 B	P19112	4	4	4	4	4	4	
U65B	Push Spacer	XEK31888 A	E00738	2	2	2	2	2	2	
U65C	Grille Knob	XEK21206 A	E00783	4	4	4	4	6	6	
U65D	Grille Support	XEK21207 A	E00807	4	4	4	4	6	6	
U71A	Fan Motor	XEK10731 A	E00729	1	1	1				
U71A	Fan Motor	XEK10732 A	E00779				1	1	1	
U71B	AS Motor	17G15328 A	P20646	1	1	1	1	1	1	
U82	Transformer	XEK22108 A	E01295	1	1	1	1	1	1	
U85	Printed Circuit Board	17B39483 A	E01687	1	1	1	1	1	1	
U98A	Side Cover L	XEK10832 A	E00786	1	1	1	1	1	1	Left Side
U98B	Side Cover R	XEK10833 A	E00787	1	1	1	1	1	1	Right Side
U98C	Lower Cover Assy	XEK21204 A	E00785	1						Lower Side
U98C	Lower Cover Assy	XEK21202 A	E00793		1	1	1			Lower Side
U98C	Lower Cover Assy	XEK21202 B	E00784					1	1	Lower Side
U98D	Upper Front Cover	XEK21205 A	E00795	1						Assembly
U98D	Upper Front cover	XEK21208 A	E00796		1	1				Assembly
U98D	Upper Front cover	XEK21208 B	E00797				1			Assembly
U98D	Upper Front cover	XEK21208 C	E00798					1	1	Assembly

OPTIONAL (PC-P2HTE)



LOCATION OF ELECTRICAL EQUIPMENT IN THE ELECTRICAL CONTROL BOX

