

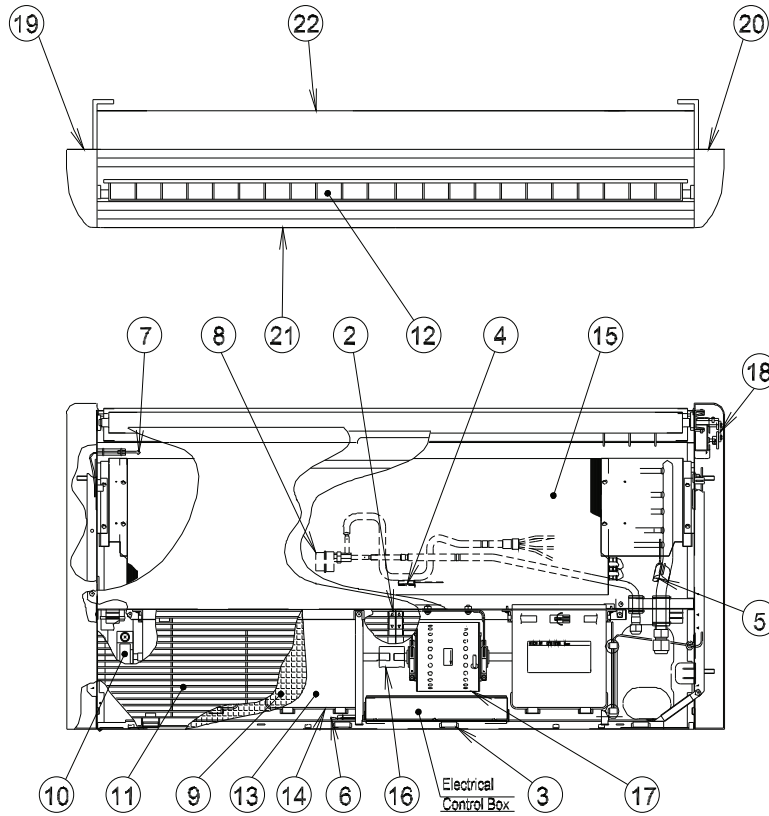
PRODUCT CODE
MODEL NAME

7E443003	RPC-2.0FSN3E, 1 ~ 230V 50Hz
7E443004	RPC-2.5FSN3E, 1 ~ 230V 50Hz
7E443005	RPC-3.0FSN3E, 1 ~ 230V 50Hz
7E443007	RPC-4.0FSN3E, 1 ~ 230V 50Hz
7E431014	RPC-5.0FSN3E, 1 ~ 230V 50Hz
7E443009	RPC-6.0FSN3E, 1 ~ 230V 50Hz

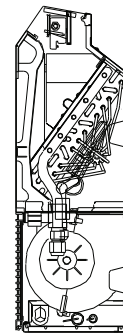
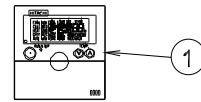
No.	DESCRIPTION	DWG No.	PART No.	Qty	Qty	Qty	Qty	Qty	Qty	REMARKS
1	Remote Control SW	70510000	E01693	1	1	1	1	1	1	PC-ART (OPTIONAL)
2	Grille Knob	XEK21206 A	E00783	4	4	4	4	6	6	
3	Grille Support	XEK21207 A	E00807	4	4	4	4	6	6	
4	Thermistor	17C74420 C	E01587	1	1	1	1	1	1	Liquid pipe (Freeze Protection)
5	Thermistor	17C74420 F	E00938	1	1	1	1	1	1	Gas Pipe
6	Thermistor	XEK11209 A	E01203			1	1	1	1	Air Inlet
6	Thermistor	XEK11209 C	E01236	1	1					Air Inlet
7	Thermistor	XEK11209 J	E01240	1	1	1	1	1	1	Air Outlet
8	Expansion Valve	17C87882 B	E00856	1	1	1	1			
8	Expansion Valve	17C87883 C	E01925					1	1	
9	Air Filter	17C49816 A	E00569					3	3	
9	Air Filter	17C49817 A	E00570	2	2	2	2			
10	Bearing	17C24870 A	P16835	1	1	1	1	1	1	
11	Air Intake Grille	XEK10896 A	E00652					3	3	Air inlet
11	Air Intake Grille	XEK10896 B	E00653	2	2	2	2			Air inlet
12	Grille Assy. B	XEK21262 A	E00781	1	1	1	1			Air Outlet
12	Grille Assy. C	XEK21263 A	E00782					1	1	Air Outlet
13	Runner	17B08967 A	P16833	4	4					
13	Runner	17B08968 A	P16834			3	3	4	4	
14	Fan Casing	17B18218 A	P17291	4	4					
14	Fan Casing	17B14397 A	P17290			3	3	4	4	
15	Heat Exchanger	XEK11509 B	E03891	1						Assembly
15	Heat Exchanger	XEK11688 A	E01840					1	1	Assembly
15	Heat Exchanger	XEK11508 A	E01772			1	1			Assembly
15	Heat Exchanger	XEK11509 A	E01773		1					Assembly
16	Coupling	17D52919 A	P16908	1	1					
16	Coupling	17D52919 B	P16909			1	1	1	1	
17	Fan Motor	XEK10731 A	E00729	1	1					
17	Fan Motor	XEK10732 A	E00779			1	1	1	1	
18	AS Motor	17G15328 A	P20646	1	1	1	1	1	1	
19	Side Cover L	XEK10832 A	E00786	1	1	1	1	1	1	Left Side
20	Side Cover R	XEK10833 A	E00787	1	1	1	1	1	1	Right Side

No.	DESCRIPTION	DWG No.	PART No.	MODEL NAME						PRODUCT CODE	REMARKS
				RPC-2.0FSN3E, 1~ 230V 50HZ	RPC-2.5FSN3E, 1~ 230V 50HZ	RPC-3.0FSN3E, 1~ 230V 50HZ	RPC-4.0FSN3E, 1~ 230V 50HZ	RPC-5.0FSN3E, 1~ 230V 50HZ	RPC-6.0FSN3E, 1~ 230V 50HZ	7E443003	
21	Lower Cover Assy	XEK21202 A	E00793	1	1	1	1				Lower Side
21	Lower Cover Assy	XEK21202 B	E00784					1	1		Lower Side
22	Upper Front cover	XEK21208 A	E00796	1	1						Assembly
22	Upper Front cover	XEK21208 B	E00797			1	1				Assembly
22	Upper Front cover	XEK21208 C	E00798					1	1		Assembly
23	Electrical Box	XEK01371 A	E03885	1							Assembly
23	Electrical Box	XEK01371 B	E03886		1						Assembly
23	Electrical Box	XEK01371 C	E03887			1					Assembly
23	Electrical Box	XEK01371 D	E03888				1				Assembly
23	Electrical Box	XEK01371 E	E03889					1			Assembly
23	Electrical Box	XEK01371 F	E03890						1		Assembly
24	Terminal Board	XEK21159 A	E00750	1	1	1	1	1	1		
25	Spacer	XEK30992 B	P19112	4	4	4	4	4	4		
26	Push Spacer	XEK31888 A	E00738	2	2	2	2	2	2		
27	Transformer	XEK22108 A	E01295	1	1	1	1	1	1		
28	Printed Circuit Board	17B39483 A	E01687	1	1	1	1	1	1		
29	Capacitor	XEK21680 H	E01009			1	1				4µF
29	Capacitor	XEK21680 M	E01013		1						6µF
29	Capacitor	XEK21680 J	E01010	1							4,5µF
29	Capacitor	XEK21680 K	E01011					1	1		5µF

CABINET



(OPTIONAL) PC-ART



ELECTRICAL PARTS

