

ERSATZTEILE RCIM-0.6-2FSN3



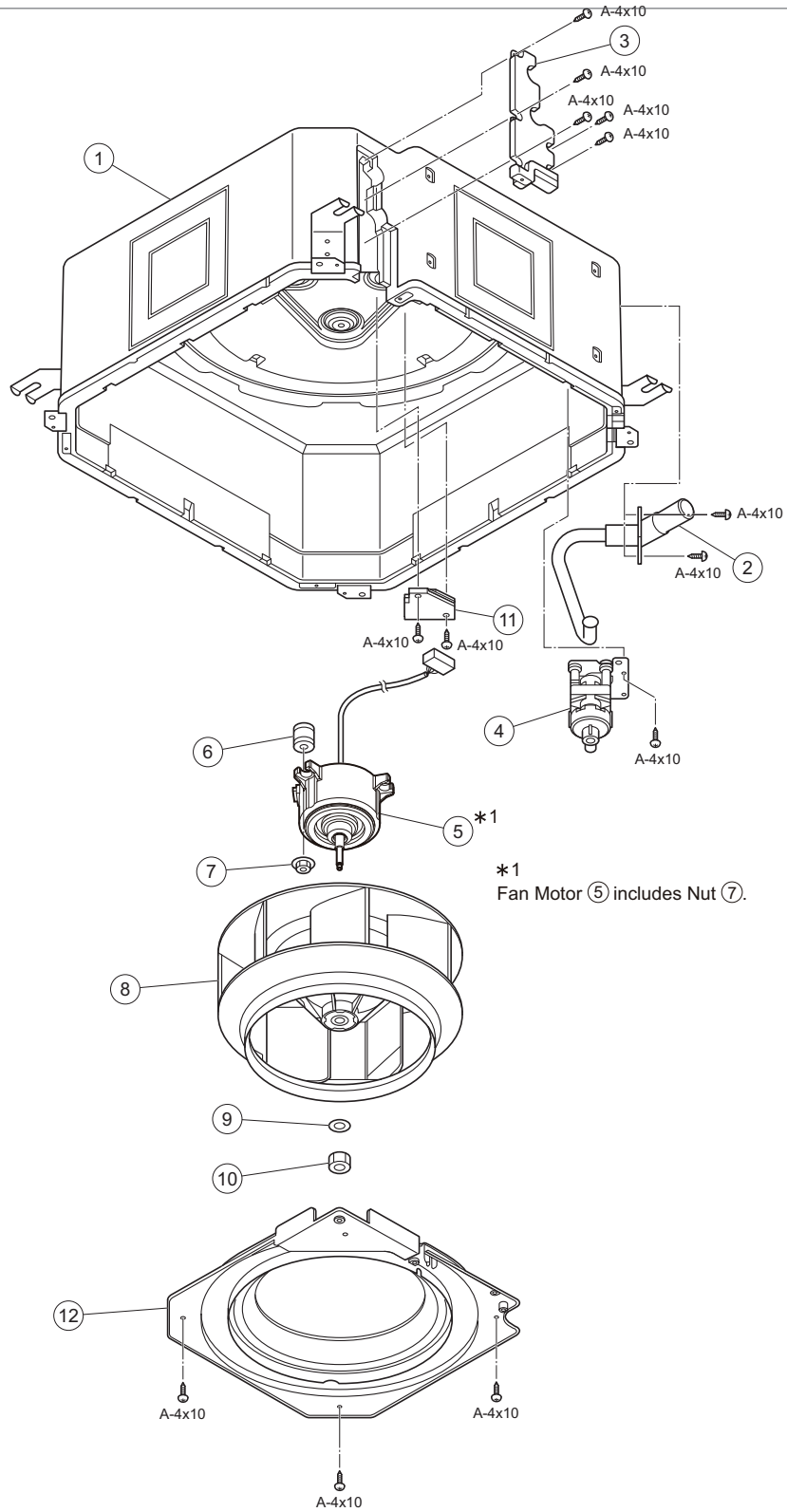
(P0144x-01)

Voltage

230V/50Hz

No.	Part Name	Replacement Part		Remarks	Q'ty Per Unit				
		Draw. No.	Order No.		RCIM-0.6FSN3	RCIM-0.8FSN3	RCIM-1.0FSN3	RCIM-1.5FSN3	RCIM-2.0FSN3
1	Cabinet Assy	17B36476A			1	1	1	1	1
2	Drain Hose Assy	17C86195A	P26842		1	1	1	1	1
3	Pipe Cover Assy	17B35453A	P26843		1	1	1	1	1
4	Pump Assy	17B45353A	P29955		1	1	1	1	1
5	Fan Motor	17G85276J	P29959	No.5 Fan Motor includes No.7 Nut x 3	1	1	1	1	1
6	Vibration Absorber	17G82550A	P26847		3	3	3	3	3
7	Nut	17H14194A	P29168		3	3	3	3	3
8	Turbo Fan	17B36477A	P26848		1	1	1	1	1
9	Washer	01VW1000			1	1	1	1	1
10	Nut	01RB1000			3	3	3	3	3
11	Wiring Fixing Plate	17G82845A			1	1	1	1	1
12	Bell Mouth Assy	17C86197A	P26849		1	1	1	1	1

NOTE:
The parts without order number are the custom-ordered, and these are not mentioned in the price list.
When ordering them, the part name and the drawing number are required.
Contact your HITACHI distributor for the delivery date and price about them.



A	Truss Head Tapping Screw		F	Stud Bolt	
B	Round Head Screw		G	Nut	
C	Flat Head Screw		H	Washer	
D	Pan Head Tapping Screw		J	Spring Lock Washer	
E	Hexagon Head Bolt		K	Toothed Lock Washer	

NOTE:

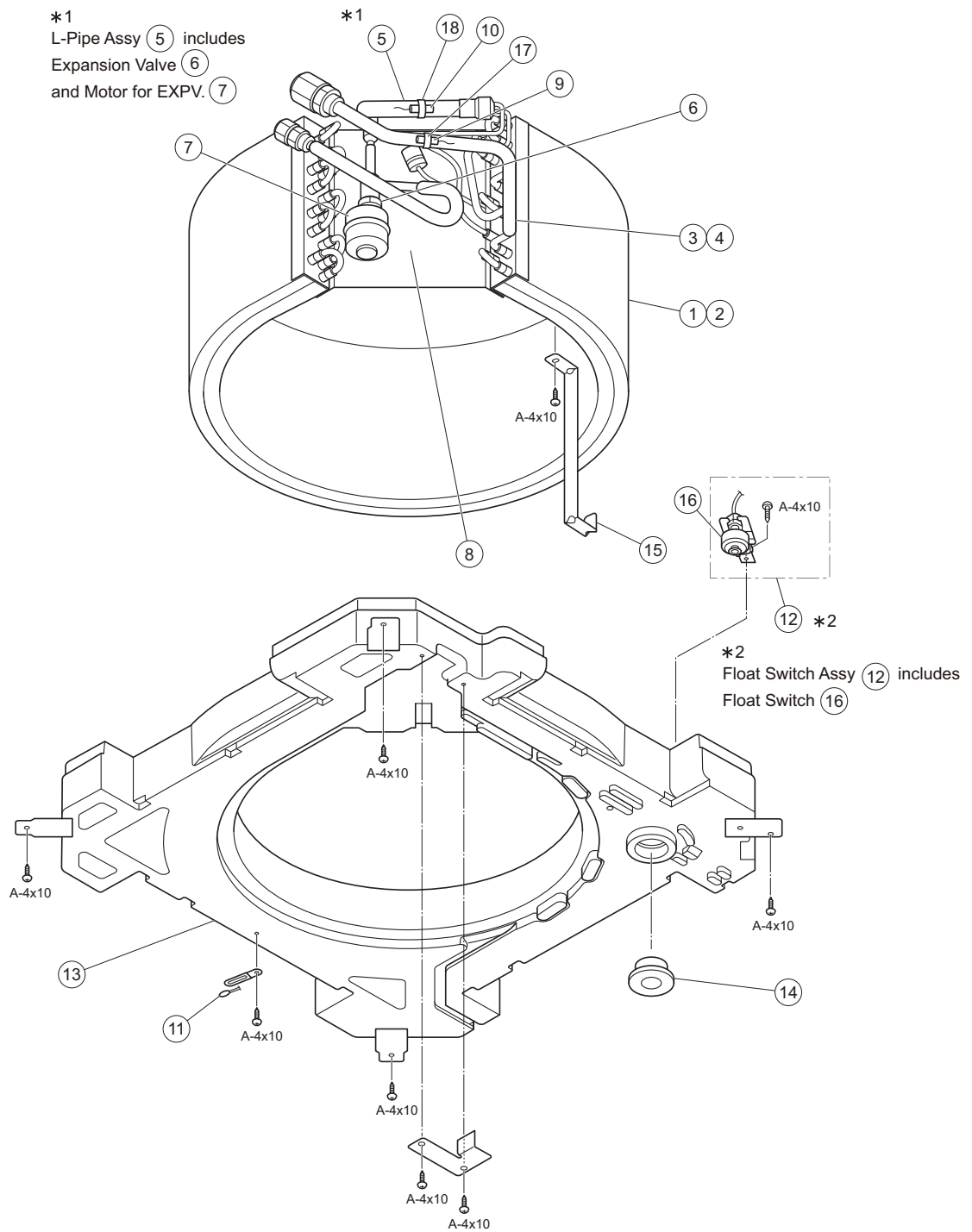
The unchromated coating is applied to iron and steel material for the unspecified materials of the bolt and screw.

(P0144x-02)

Voltage
230V/50Hz

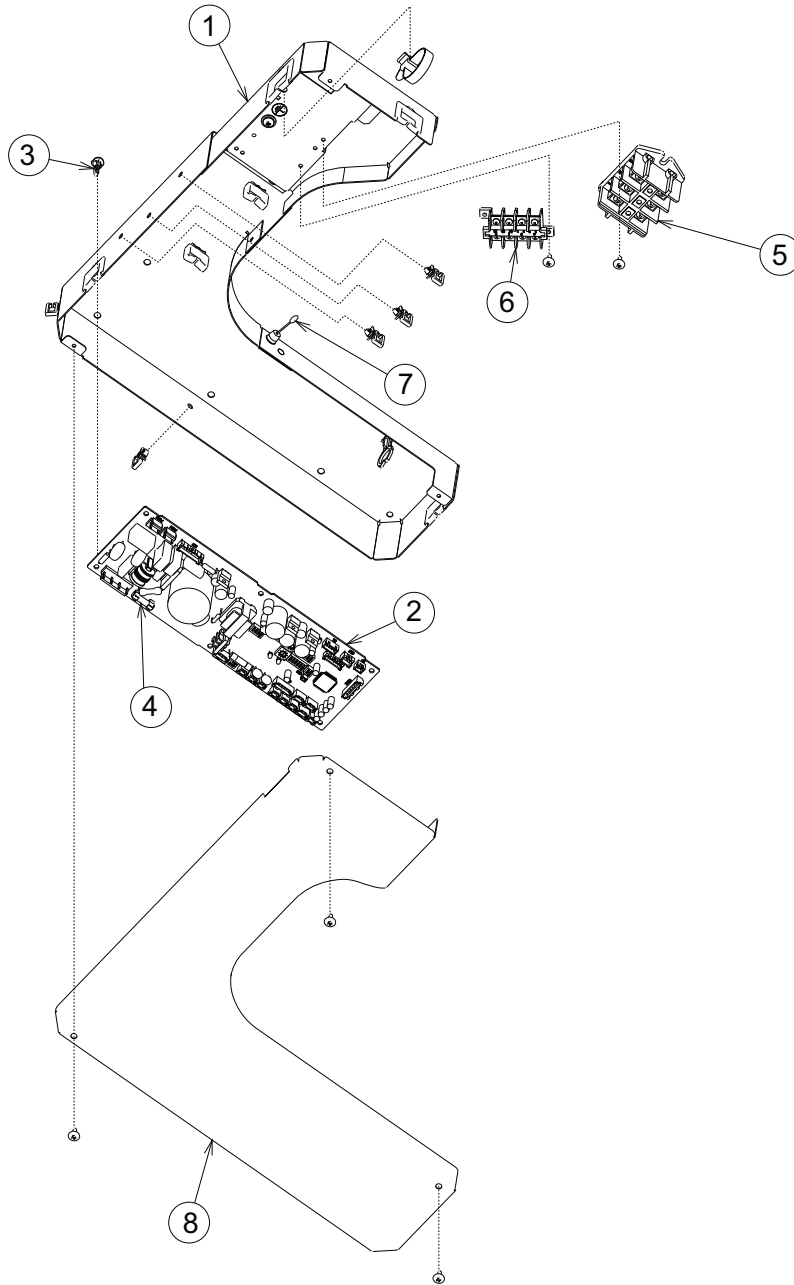
No.	Part Name	Replacement Part		Remarks	Qty Per Unit				
		Draw. No.	Order No.		RCIM-0.6FSN3	RCIM-0.8FSN3	RCIM-1.0FSN3	RCIM-1.5FSN3	RCIM-2.0FSN3
1	Heat Exchanger Assy	17B36560D	P29956		1	1	1	1	
2	Heat Exchanger Assy	17B36560E	P29957						1
3	Header G Assy	17G82007A			1	1	1	1	
4	Header G Assy	17G82007B							1
5	L-Pipe Assy	17C86341A			1	1	1	1	1
6	Expansion Valve	17G57447B	P24981	Fujikoki Corporation, EFM-40YPHS-2	1	1	1	1	1
7	Motor for EXPV.	17G16295B	P20250	Fujikoki Corporation, EFM-MD12HS-2	1	1	1	1	1
8	Evap. Partition P. Assy	17G83098A			1	1	1	1	1
9	Thermistor	17B42635B	P29019	for Gas Pipe	1	1	1	1	1
10	Thermistor	17B42636B	P29021	for Liquid Pipe	1	1	1	1	1
11	Thermistor	17B24598T	P24357	for Air Outlet	1	1	1	1	1
12	Float Switch Assy	17G82847A			1	1	1	1	1
13	Drain Pan Assy	17B36475A	P26851		1	1	1	1	1
14	Plug Assy	17G82709A		with Insulation	1	1	1	1	1
15	Evap. Stay	17G82551A			1	1	1	1	1
16	Float Switch	17B36663A	P26852		1	1	1	1	1
17	TH Plate	17G27651B		for Gas Pipe	1	1	1	1	1
18	TH Plate	17G27651C		for Liquid Pipe	1	1	1	1	1

NOTE:
 The parts without order number are the custom-ordered, and these are not mentioned in the price list.
 When ordering them, the part name and the drawing number are required.
 Contact your HITACHI distributor for the delivery date and price about them.



A	Truss Head Tapping Screw		F	Stud Bolt	
B	Round Head Screw		G	Nut	
C	Flat Head Screw		H	Washer	
D	Pan Head Tapping Screw		J	Spring Lock Washer	
E	Hexagon Head Bolt		K	Toothed Lock Washer	

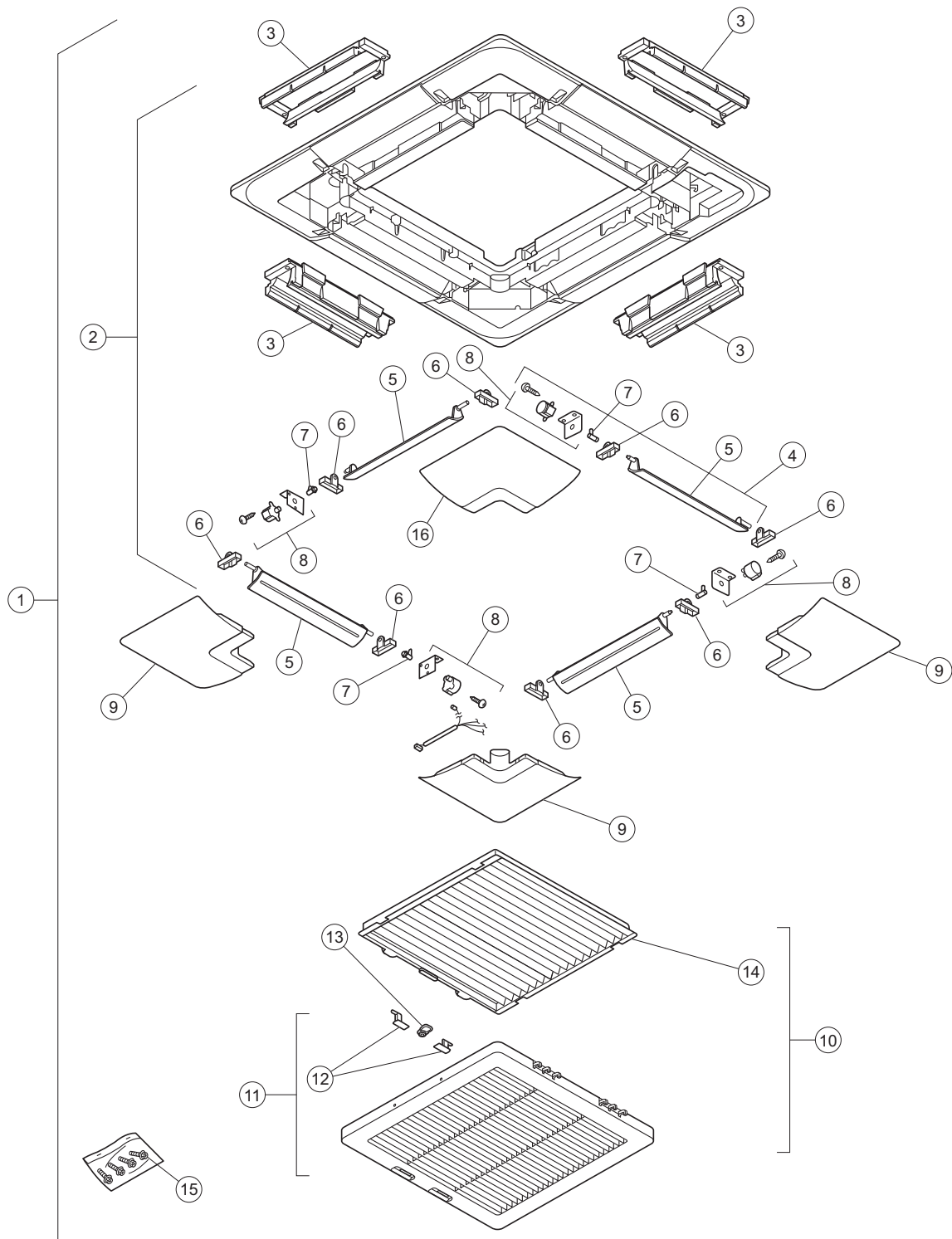
NOTE:
The uncoated coating is applied to iron and steel material for the unspecified materials of the bolt and screw.



A	Truss Head Tapping Screw		F	Stud Bolt	
B	Round Head Screw		G	Nut	
C	Flat Head Screw		H	Washer	
D	Pan Head Tapping Screw		J	Spring Lock Washer	
E	Hexagon Head Bolt		K	Toothed Lock Washer	

NOTE:

The unicromated coating is applied to iron and steel material for the unspecified materials of the bolt and screw.



A	Truss Head Tapping Screw		F	Stud Bolt	
B	Round Head Screw		G	Nut	
C	Flat Head Screw		H	Washer	
D	Pan Head Tapping Screw		J	Spring Lock Washer	
E	Hexagon Head Bolt		K	Toothed Lock Washer	

NOTE:

The unicomated coating is applied to iron and steel material for the unspecified materials of the bolt and screw.