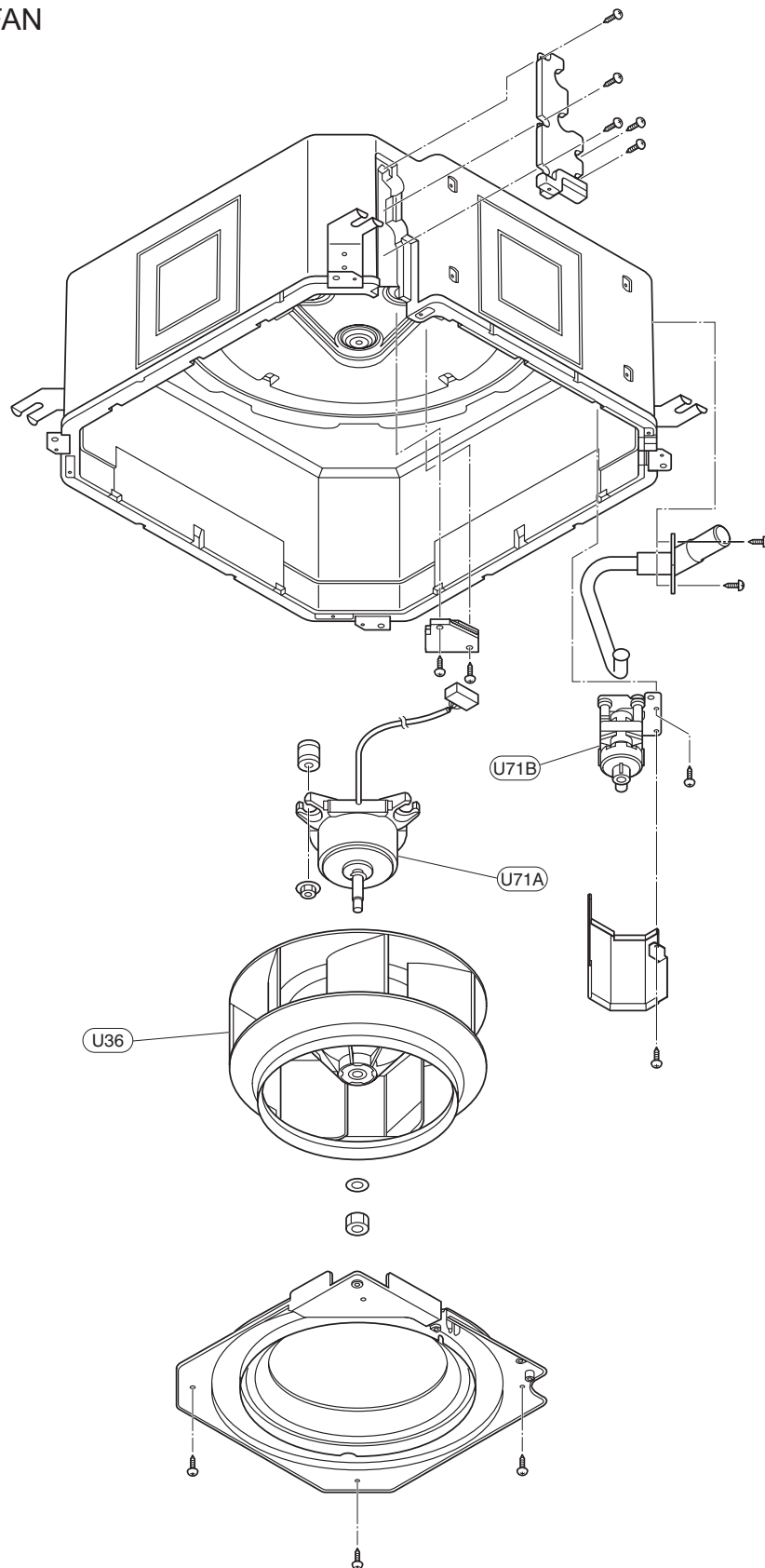
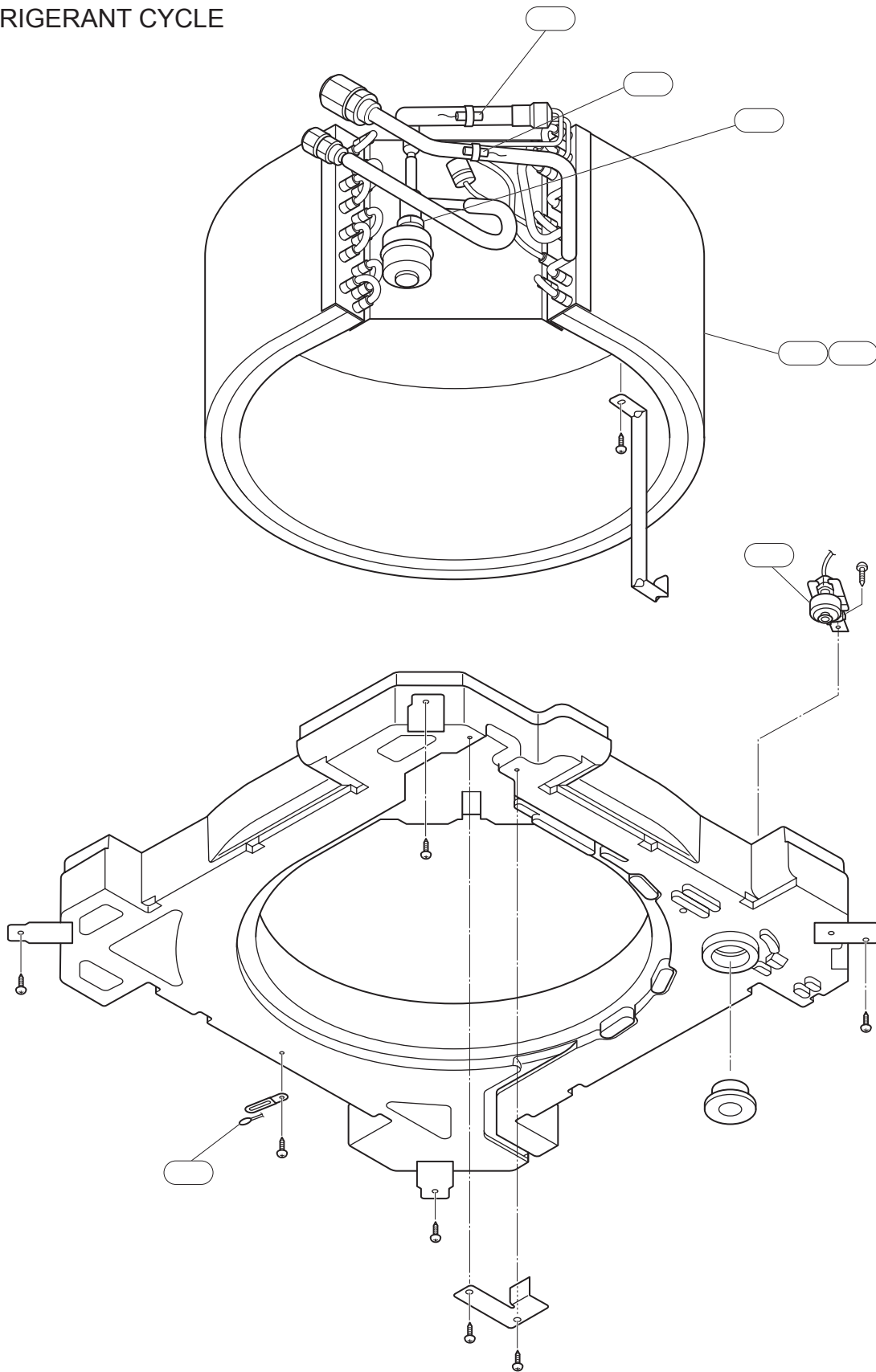




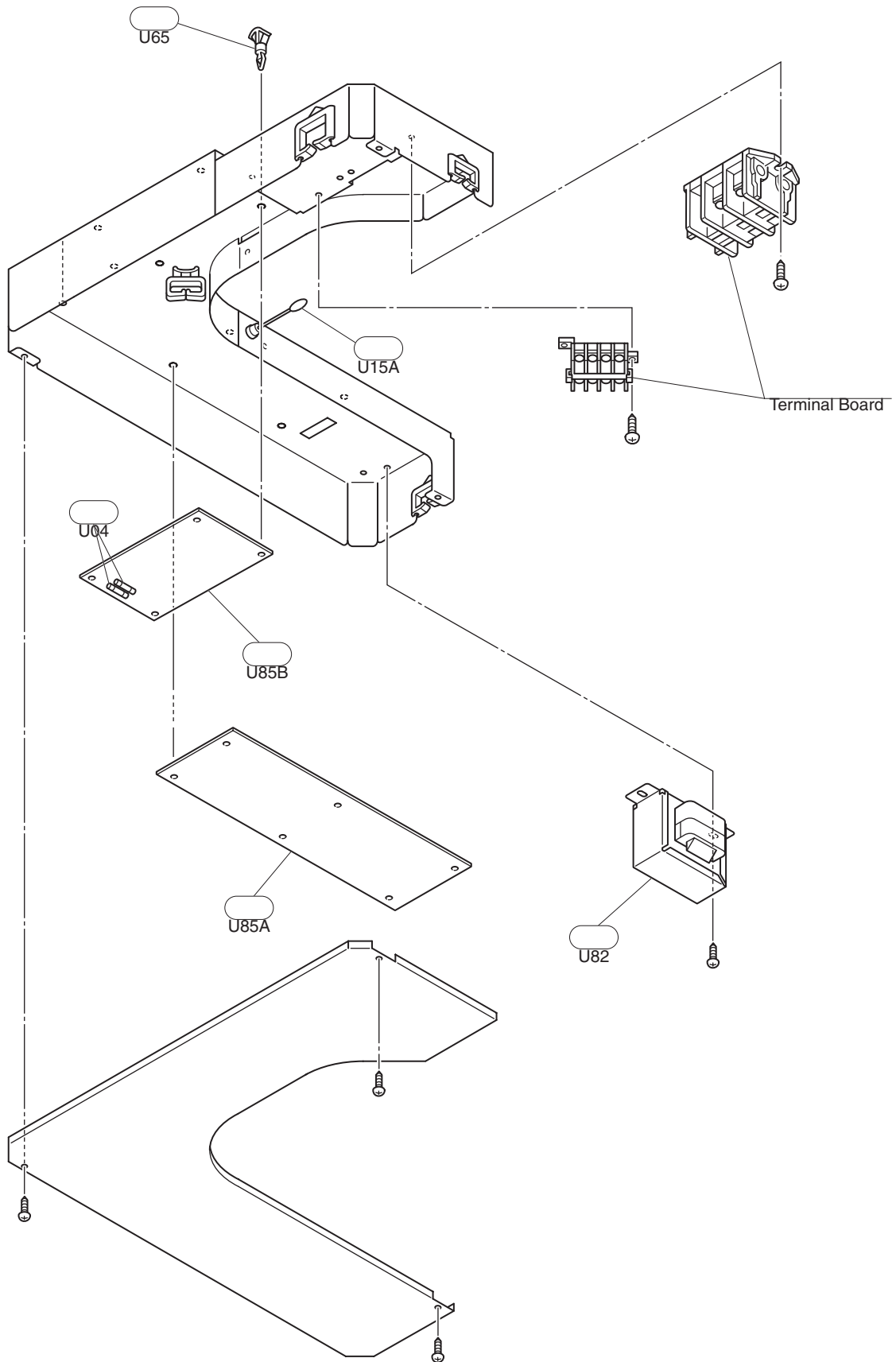
CABINET AND FAN



REFRIGERANT CYCLE



ELECTRICAL EQUIPMENT



PANEL

