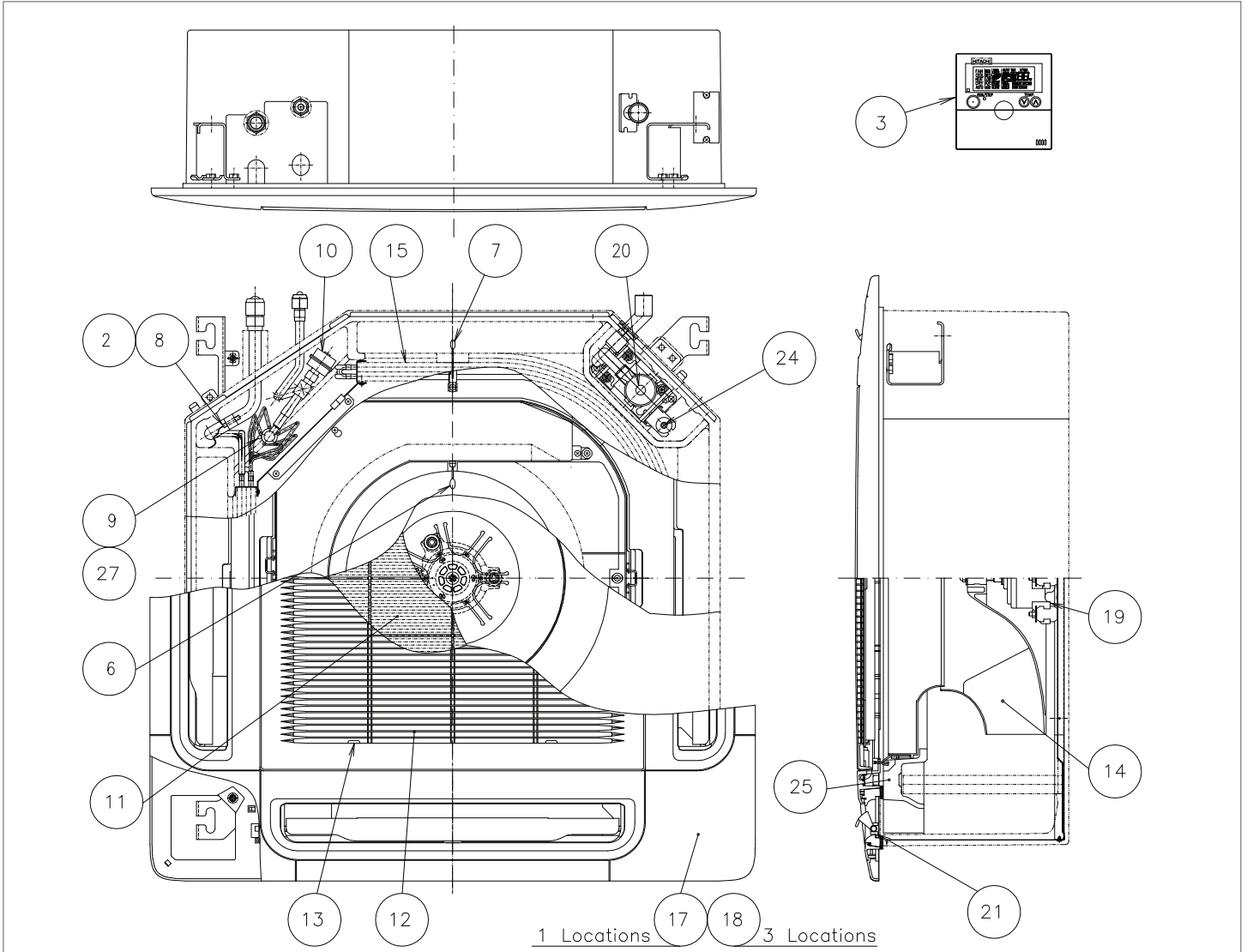
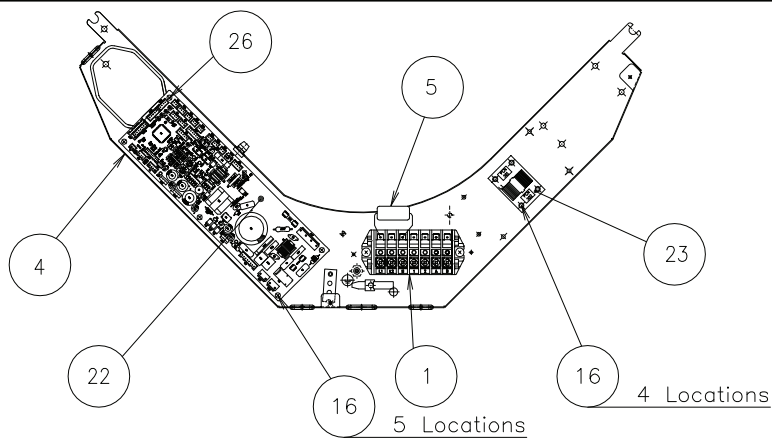


PRODUCT CODE	7E403018
	7E403020
	7E403021
	7E403022
	70531000
MODEL NAME	RCI-3.0FSN3Ei, 1 ~ 230V 50Hz
	RCI-4.0FSN3Ei, 1 ~ 230V 50Hz
	RCI-5.0FSN3Ei, 1 ~ 230V 50Hz
	RCI-6.0FSN3Ei, 1 ~ 230V 50Hz
	P-N23NA

No.	DESCRIPTION	Dwg No.	PART No.	Qty	Qty	Qty	Qty	Qty	REMARKS
1	Terminal Board	XEK21159 A	E00750	1	1	1	1		
2	P-Spring	17G31457 A	E02444	1					FOR GAS PIPE
2	P-Spring	17G31457 B	E02445		1	1	1		FOR GAS PIPE
3	Remote Control SW	70510000	E01693	1	1	1	1		PC-ART (OPTIONAL)
4	Electrical Box	XEK01220 A	E03074	1	1	1	1		Assembly (Components + Harness)
5	Condenser Assy	XEK37166 A	E03075	1	1	1	1		
6	Thermistor	XEK11209 A	E01203	1	1	1	1		AIR INLET
7	Thermistor	XEK11209 T	E02875	1	1	1	1		AIR OUTLET
8	Thermistor	17B41046 E	E02443	1	1	1	1		GAS PIPE
9	Thermistor	17C74419 J	E01198	1	1	1	1		LIQUID PIPE
10	Expansion Valve	17F04392 A	E03077	1	1				
10	Expansion Valve	17F04393 A	E03078			1	1		
11	Air Filter	H7B01356 A	E01093					1	
12	Air Grille Assy	GYB01418B	E02918					1	
13	Grille Knob	17C75131 F	E02919					1	
14	Turbo Fan	17A12745 A	E01112	1	1	1	1		FAN RUNNER
15	Heat Exchanger	XEK12075 A	E03082	1					ASSEMBLY
15	Heat Exchanger	XEK12076 A	E03083		1				ASSEMBLY
15	Heat Exchanger	XEK12076 B	E03084			1	1		ASSEMBLY
16	Spacer	XEK36855 A	E02931	9	9	9	9		
17	CP Cover	17B31468 K	E02921					1	WITH LOGO
18	CP Cover	17B31468 J	E02874					3	WITHOUT LOGO
19	Fan Motor	XEK12150 B	E03072	1					
19	Fan Motor	XEK12082 A	E03073		1	1	1		
20	Drain Pump	17B30151 A	E01101	1	1	1	1		DISCHARGE MECHANISM
21	AS Motor	17G62189 A	E01102					1	ASSEMBLY
22	Printed Circuit Board	17B43437 C	E03038	1	1	1	1		PI113 ASSY (Main PCB)
23	Printed Circuit Board	17C59642 A	E01106	1	1	1	1		PI979 Assy (For Noise Protection)
24	Float Switch	17B24618 F	E01107	1	1	1	1		
25	Drain Pan	XEK12094 D	E01717	1	1	1	1		ASSEMBLY
26	Push Spacer	XEK37165 A	E03085	1	1	1	1		
27	P-Spring	17G27651 C	E02550	1	1	1	1		FOR LIQUID PIPE



LOCATION OF ELECTRICAL EQUIPMENT IN THE ELECTRICAL CONTROL BOX



Location of Connectors on PCB for Indoor Units

