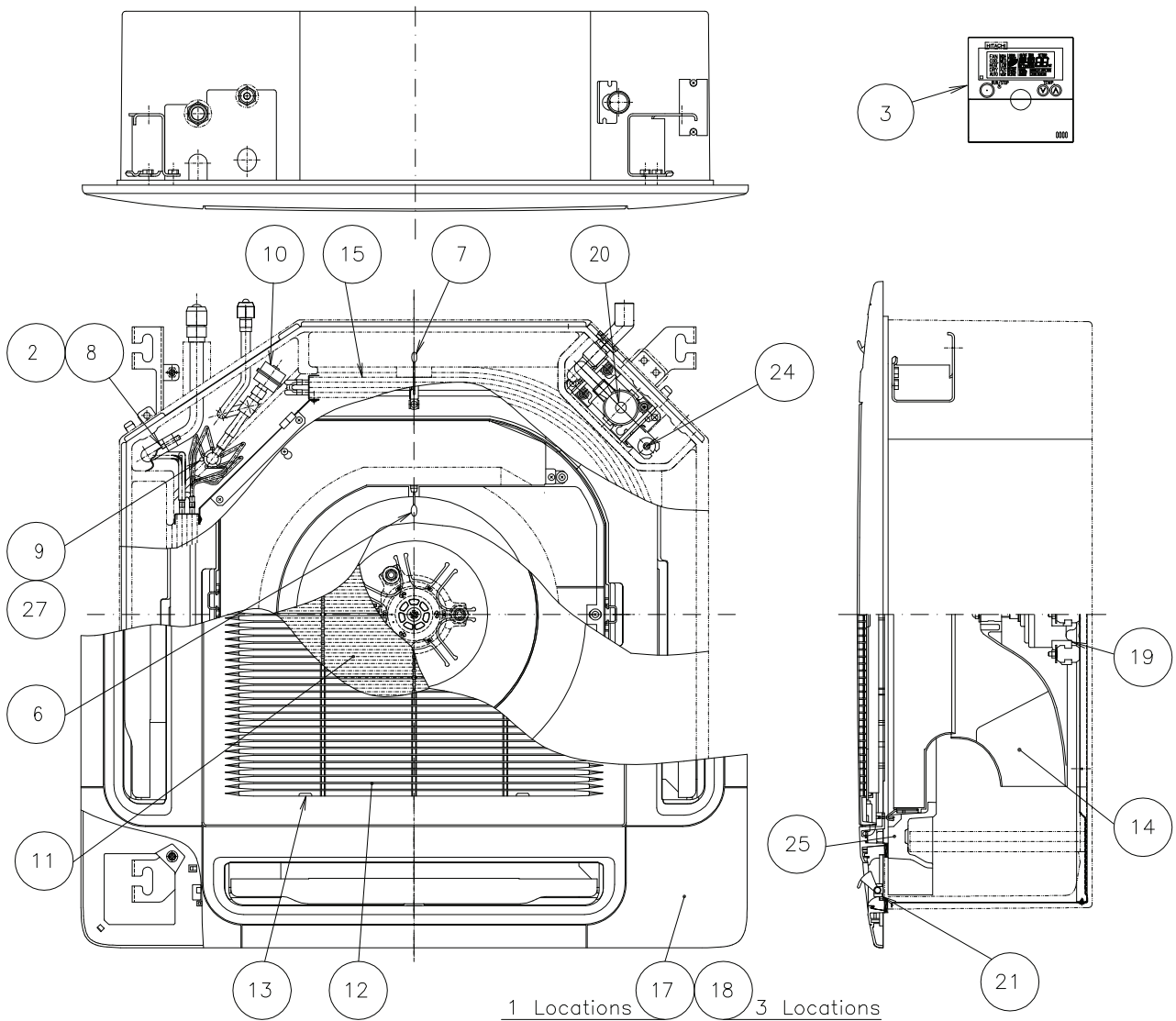
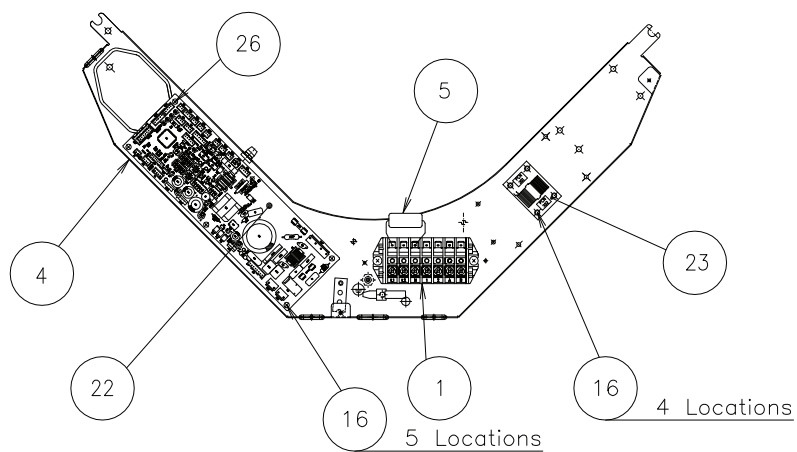


| | | |
|------------|------------------------------|----------|
| MODEL NAME | RCI-1.0FSN3Ei, 1 ~ 230V 50Hz | 7E403014 |
| | RCI-1.5FSN3Ei, 1 ~ 230V 50Hz | 7E403015 |
| | RCI-2.0FSN3Ei, 1 ~ 230V 50Hz | 7E403016 |
| | RCI-2.5FSN3Ei, 1 ~ 230V 50Hz | 7E403017 |
| | P-N23NA | 70531000 |

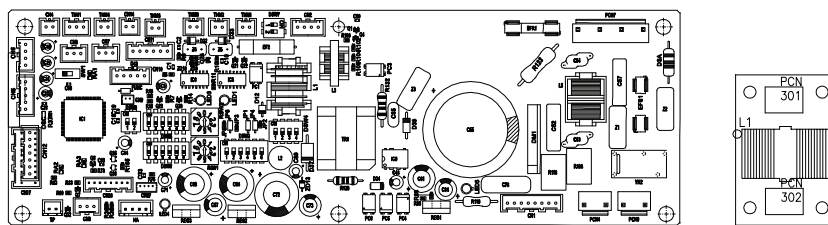
| No. | DESCRIPTION | Dwg No. | PART No. | Qty | Qty | Qty | Qty | Qty | REMARKS |
|-----|-----------------------|------------|----------|-----|-----|-----|-----|-----|-----------------------------------|
| 1 | Terminal Board | XEK21159 A | E00750 | 1 | 1 | 1 | 1 | | |
| 2 | P-Spring | 17G31457 A | E02444 | 1 | 1 | 1 | 1 | | FOR GAS PIPE |
| 3 | Remote Control SW | 70510000 | E01693 | 1 | 1 | 1 | 1 | | PC-ART (OPTIONAL) |
| 4 | Electrical Box | XEK01220 A | E03074 | 1 | 1 | 1 | 1 | | Assembly (Components + Harness) |
| 5 | Condenser Assy | XEK37166 A | E03075 | 1 | 1 | 1 | 1 | | |
| 6 | Thermistor | XEK11209 A | E01203 | 1 | 1 | 1 | 1 | | AIR INLET |
| 7 | Thermistor | XEK11209 T | E02875 | 1 | 1 | 1 | 1 | | AIR OUTLET |
| 8 | Thermistor | 17B41046 E | E02443 | 1 | 1 | 1 | 1 | | GAS PIPE |
| 9 | Thermistor | 17C74419 J | E01198 | 1 | 1 | 1 | 1 | | LIQUID PIPE |
| 10 | Expansion Valve | 17F04391 A | E03076 | 1 | 1 | 1 | | | |
| 10 | Expansion Valve | 17F04392 A | E03077 | | | | 1 | | |
| 11 | Air Filter | H7B01356 A | E01093 | | | | | 1 | |
| 12 | Air Grille Assy | GYB01418B | E02918 | | | | | 1 | |
| 13 | Grille Knob | 17C75131 F | E02919 | | | | | 1 | |
| 14 | Turbo Fan | 17A12745 A | E01112 | 1 | 1 | 1 | 1 | | FAN RUNNER |
| 15 | Heat Exchanger | XEK12072 A | E03079 | 1 | 1 | | | | ASSEMBLY |
| 15 | Heat Exchanger | XEK12073 A | E03080 | | | 1 | | | ASSEMBLY |
| 15 | Heat Exchanger | XEK12074 A | E03081 | | | | 1 | | ASSEMBLY |
| 16 | Spacer | XEK36855 A | E02931 | 9 | 9 | 9 | 9 | | |
| 17 | CP Cover | 17B31468 K | E02921 | | | | | 1 | WITH LOGO |
| 18 | CP Cover | 17B31468 J | E02874 | | | | | 3 | WITHOUT LOGO |
| 19 | Fan Motor | XEK12150 A | E03071 | 1 | 1 | 1 | 1 | | |
| 20 | Drain Pump | XEK12151 A | E03241 | 1 | 1 | 1 | 1 | | DISCHARGE MECHANISM |
| 21 | AS Motor | 17G62189 A | E01102 | | | | | 1 | ASSEMBLY |
| 22 | Printed Circuit Board | 17B43437 C | E03038 | 1 | 1 | 1 | 1 | | PI113 ASSY (Main PCB) |
| 23 | Printed Circuit Board | 17C59642 A | E01106 | 1 | 1 | 1 | 1 | | PI979 Assy (For Noise Protection) |
| 24 | Float Switch | 17B24618 F | E01107 | 1 | 1 | 1 | 1 | | |
| 25 | Drain Pan | XEK12094 A | E01720 | 1 | 1 | | | | ASSEMBLY |
| 25 | Drain Pan | XEK12094 B | E01719 | | | 1 | | | ASSEMBLY |
| 25 | Drain Pan | XEK12094 C | E01718 | | | | 1 | | ASSEMBLY |
| 26 | Push Spacer | XEK37165 A | E03085 | 1 | 1 | 1 | 1 | | |
| 27 | P-Spring | 17G27651 C | E02550 | 1 | 1 | 1 | 1 | | FOR LIQUID PIPE |



LOCATION OF ELECTRICAL EQUIPMENT IN THE ELECTRICAL CONTROL BOX



Location of Connectors on PCB for Indoor Units



(22)

(23)