

PRODUCT CODE	MODEL NAME
7E305021	RAS-6HVRNM2E, 1~ 230V 50HZ
7E305022	RAS-6HVRNM2E, 1~ 230V 50HZ
7E305120	RAS-4HRNM2E, 3~ 400V 50HZ
7E305121	RAS-5HRNM2E, 3~ 400V 50HZ
7E305122	RAS-6HRNM2E, 3~ 400V 50HZ

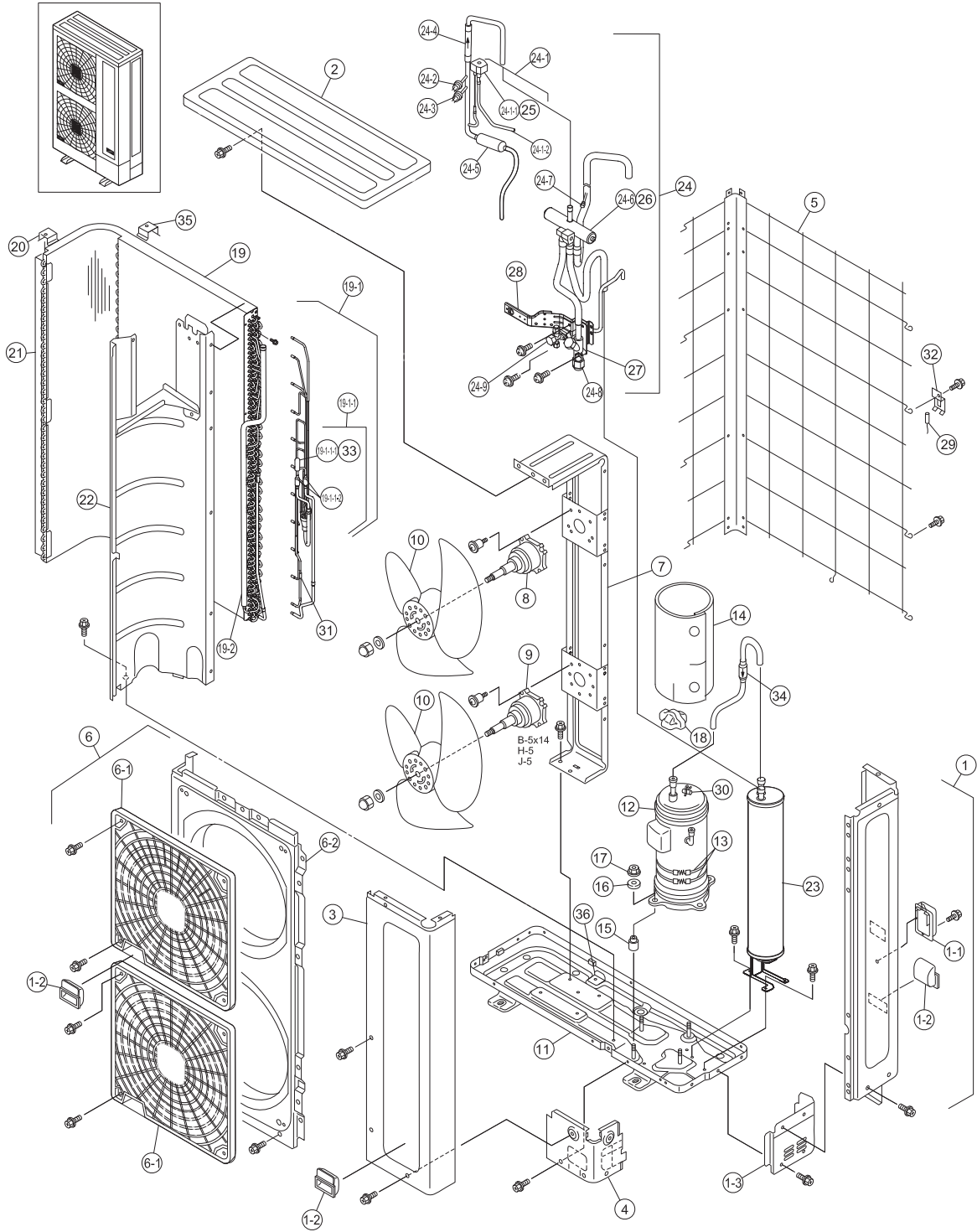
No.	DESCRIPTION	DWG No.	PART No.	Qty	Qty	Qty	Qty	Qty	Qty	REMARKS
1	Rear Cover L Assy	XEK22859 B	E02365	1	1	1	1	1	1	Assembly
1-1	H-Cover	17B27407 A	E01898	1	1	1	1	1	1	
1-2	Handle	17C71740 A	E01897	3	3	3	3	3	3	
1-3	Piping Cover	17C86251 A	P27003	1	1	1	1	1	1	Rear Piping Cover
2	Upper Cover Assy	XEK22860 A	E01794	1	1	1	1	1	1	Assembly
3	Service Cover L Assy	XEK11936 A	E02811	1						Assembly
3	Service Cover L Assy	XEK11936 B	E02812		1					Assembly
3	Service Cover L Assy	XEK11936 C	E02813			1				Assembly
3	Service Cover L Assy	XEK11936 D	E02814				1			Assembly
3	Service Cover L Assy	XEK11936 E	E02815					1		Assembly
3	Service Cover L Assy	XEK11936 F	E02816						1	Assembly
4	S Cover B	17B36514 A	P27002	1	1	1	1	1	1	Lower Service Cover
5	Protection Net L Assy	XEK24692 A	E01796	1	1	1	1	1	1	
6	Shroud L Unit	XEK22858 A	E02094	1	1	1	1	1	1	
6-1	Air Grille	17A17019 A	E02876	2	2	2	2	2	2	Air Grille
6-2	Shroud L	XEK00936 A	E01810	1	1	1	1	1	1	
7	Motor Clamp L Assy	XEK11948 A	E02817		1	1		1	1	
7	Motor Clamp L Assy	XEK11519 B	E01899	1			1			
8	Fan Motor	17B41808 C	E02818		1	1		1	1	MOF1: DC100W, 8P
9	Fan Motor	17B41808 D	E02819		1	1		1	1	MOF2: DC100W, 8P
8	Fan Motor	17A23156 A	P27040	1			1			MOF1: DC74W, 8P
9	Fan Motor	17A23156 C	E01825	1			1			MOF2: DC74W, 8P
10	Propeller Fan	17A17362 B	P27001	2	2	2	2	2	2	Ø544
11	B-Base Assy	XEK22864 A	E02096	1	1	1	1	1	1	
12	Compressor	17F02433 A	09931100	1	1	1				E400HHD-36A2
12	Compressor	17F04163 A	09931104				1	1	1	E400HHD-36D2
13	Oil Heater	17F02279 B	E02372	2	2	2	2	2	2	32W
14	Accoustical Cover	17F05305 A	E02374	1	1	1	1	1	1	
15	Vibration Absorber 1	17D49474 A	P17308	4	4	4	4	4	4	
16	Vibration Absorber 2	17D21207 A	P13109	2	2	2	2	2	2	

PRODUCT CODE	MODEL NAME
7E305021	RAS-6HVRNM2E, 1~ 230V 50Hz
7E305022	RAS-6HVRNM2E, 1~ 230V 50Hz
7E305120	RAS-4HRNM2E, 3~ 400V 50Hz
7E305121	RAS-5HRNM2E, 3~ 400V 50Hz
7E305122	RAS-6HRNM2E, 3~ 400V 50Hz

No.	DESCRIPTION	DWG No.	PART No.	Qty	Qty	Qty	Qty	Qty	Qty	REMARKS
17	Special Nut	17D49475 A	E02000	2	2	2	2	2	2	
18	Rubber Cap	17B29767 A	E01900	1	1	1	1	1	1	
19	Condenser	XEK01166 A	E02820	1			1			Assembly (Heat exchanger+ 19-1 + 19-2)
19	Condenser	XEK01163 A	E02821		1	1		1	1	Assembly (Heat exchanger+ 19-1 + 19-2)
19-1	Pipe L Assy	17C87709 A	E02376	1			1			Assembly
19-1	Pipe L Assy	XEK23986 A	E02822		1	1		1	1	Assembly
19-1-1	EVO Assy	17G84580 A	E02380	1			1			Assembly
19-1-1	EVO Assy	XEK36757 A	E02823		1	1		1	1	Assembly
19-1-1-1	Expansion Valve	17C73727 A	P24691	1	1	1	1	1	1	EVO
19-1-1-2	Strainer	17G62701 B	P25037	2	2	2	2	2	2	
19-2	Header G Assy	17C87480 A	E02378	1			1			Assembly
19-2	Header G Assy	17C87166 A	E02101		1	1		1	1	Assembly
20	Attaching Plate	17G57303 A	E02105	2	1	1	2	1	1	Not included in 19
21	End Plate Assy	17C87812 B	E02107	1	1	1	1	1	1	Not included in 19
22	Partition Plate	17C87968 C	E01896	1	1	1	1	1	1	
23	Accumulator Assy	XEK23885 B	E02447	1	1	1	1	1	1	Assembly
24	4-way valve assy	XEK11930 A	E02824	1			1			Assembly
24	4-way valve assy	XEK11935 A	E02825		1	1		1	1	Assembly
24-1	SVA Assy	17H03371 A	P28163	1	1	1	1	1	1	Assembly
24-1-1	Solenoid Valve	17C77098 A	P25246	1	1	1	1	1	1	SVA
24-2	Pressure Switch	XEK23681 A	E02386	1	1	1	1	1	1	PSC (Control)
24-3	Pressure Switch	XEK22551 A	P25043	1	1	1	1	1	1	PSH (High)
24-4	Check Valve	17C84659 A	P10777	1	1	1	1	1	1	
24-5	Silencer	17H05805 A	E02387	1	1	1	1	1	1	
24-6	4-way valve	17C73724 A	P24658	1			1			RVR
24-6	4-way valve	17C73725 A	P26337		1	1		1	1	RVR
24-7	Check Ja	17C75461 A	E01160	1	1	1	1	1	1	
24-8	Stop Valve	17C76024 A	P25046	1	1	1	1	1	1	For Gas Line (5/8)
24-9	Stop Valve	XEK22563 C	E02388	1	1	1	1	1	1	For Liquid Line (3/8)
25	Coil	17C64850 B	P25454	1	1	1	1	1	1	For SVA

No.	DESCRIPTION	DWG No.	PART No.	MODEL NAME						REMARKS	
				Qty	Qty	Qty	Qty	Qty	Qty		
				PRODUCT CODE							
				RAS-4HVRNM2E, 1~ 230V 50Hz	7E305020						
				RAS-5HVRNM2E, 1~ 230V 50Hz	7E305021						
				RAS-6HVRNM2E, 1~ 230V 50Hz	7E305022						
				RAS-4HRNM2E, 3~ 400V 50Hz	7E305120						
				RAS-5HRNM2E, 3~ 400V 50Hz	7E305121						
				RAS-6HRNM2E, 3~ 400V 50Hz	7E305122						
26	Coil	17C74970 A	P26678	1	1	1	1	1	1	For RVR	
27	Valve Stay	17G87748 A	E02389	1	1	1	1	1	1		
28	V-Stay	17G40832 A	E02112	1	1	1	1	1	1		
29	Thermistor	17C59663 E	E00692	1	1	1	1	1	1	TA	
30	Thermistor	17B24597 K	P23508	1	1	1	1	1	1	TD	
31	Thermistor	17C59664 D	P23504	1	1	1	1	1	1	TE	
32	TH-PLATE	XEK21470 A	E01901	1	1	1	1	1	1		
33	Coil	17C73728 B	P24656	1	1	1	1	1	1	For MV	
34	Strainer	17G55722 A	P24398	1	1	1	1	1	1		
35	Attaching Plate	17G84282 A	E02106		1	1		1	1	Not included in 19	
36	Condenser Support	17G85303 A	E02113		1	1		1	1		

CABINET AND CYCLE



No.	DESCRIPTION	DWG No.	PART No.	MODEL NAME							REMARKS
				Qty	Qty	Qty	Qty	Qty	Qty	Qty	
				PRODUCT CODE							
				RAS-4HRNM2E, 3~ 400V 50HZ	7E305120						
				RAS-5HRNM2E, 3~ 400V 50HZ	7E305121						
				RAS-6HRNM2E, 3~ 400V 50HZ	7E305122						
				RAS-4HRNS2E, 3~ 400V 50HZ	7E306107						
				RAS-5HRNS2E, 3~ 400V 50HZ	7E306108						
				RAS-6HRNS2E, 3~ 400V 50HZ	7E306109						
1	Electrical Box	XEK01095 A	E02853	1							Assembly (2+3+harness)
1	Electrical Box	XEK01095 D	E02854					1			Assembly (2+3+harness)
1	Electrical Box	XEK01095 E	E02855						1		Assembly (2+3+harness)
1	Electrical Box	XEK01095 F	E02856							1	Assembly (2+3+harness)
1	Electrical Box	XEK01095 G	E02857		1						Assembly (2+3+harness)
1	Electrical Box	XEK01095 H	E02858			1					Assembly (2+3+harness)
2	P-Plate Assy	XEK11854 A	E02859	1							Assembly (2-1~2-15)
2	P-Plate Assy	XEK11854 D	E02860		1						Assembly (2-1~2-15)
2	P-Plate Assy	XEK11854 E	E02861			1					Assembly (2-1~2-15)
2	P-Plate Assy	XEK11854 F	E02862				1				Assembly (2-1~2-15)
2	P-Plate Assy	XEK11854 G	E02863					1			Assembly (2-1~2-15)
2	P-Plate Assy	XEK11854 H	E02864						1		Assembly (2-1~2-15)
2-1	P-Plate Unit	XEK36292 A	E02431	1	1	1	1	1	1		
2-2	Transformer	17B34423 A	P26291	1	1	1	1	1	1		TF
2-3	Printed Circuit Board	17B41307 D	E02432	1	1	1	1	1	1		PO081 Assy
2-4	Noise Filter	17B36433 A	E01430	1	1	1	1	1	1		NF1
2-5	Fuse Holder	17C66740 A	E01015	2	2	2	2	2	2		
2-6	Fuse	XEK32373 D	E00810	2	2	2	2	2	2		20A
2-7	Spacer	XEK30992 B	P19112	4	4	4	4	4	4		For PCB1
2-11	Push Spacer	XEK31888 A	E00738	3	3	3	3	3	3		For PCB1
2-12	Spacer	XEK34315 A	E01789	6	6	6	6	6	6		For Noise Filter
2-13	Reactor	XEK36243 A	E03021	1	1	1	1	1	1		DCL
2-14	Mag. Contactor	17B28277 B	P24721	1	1	1	1	1	1		CMC1
2-15	Terminal Board	XEK20967 A	E00705	1	1	1	1	1	1		TB
3	Power Unit Assy	XEK23692 A	E02435	1	1	1	1	1	1		Assembly (3-1~3-11)
3-1	Power Stay Assy	XEK36266 A	E02437	1	1	1	1	1	1		
3-2	Inv. Fin Assy	17F04353 A	E02439	1	1	1	1	1	1		DIP-IPM (13A)
4	Upper Support	XEK36287 A	E02427		1	1			1	1	

ELECTRICAL PARTS

