

# ERSATZTEILE RAS-5-6FSXNH

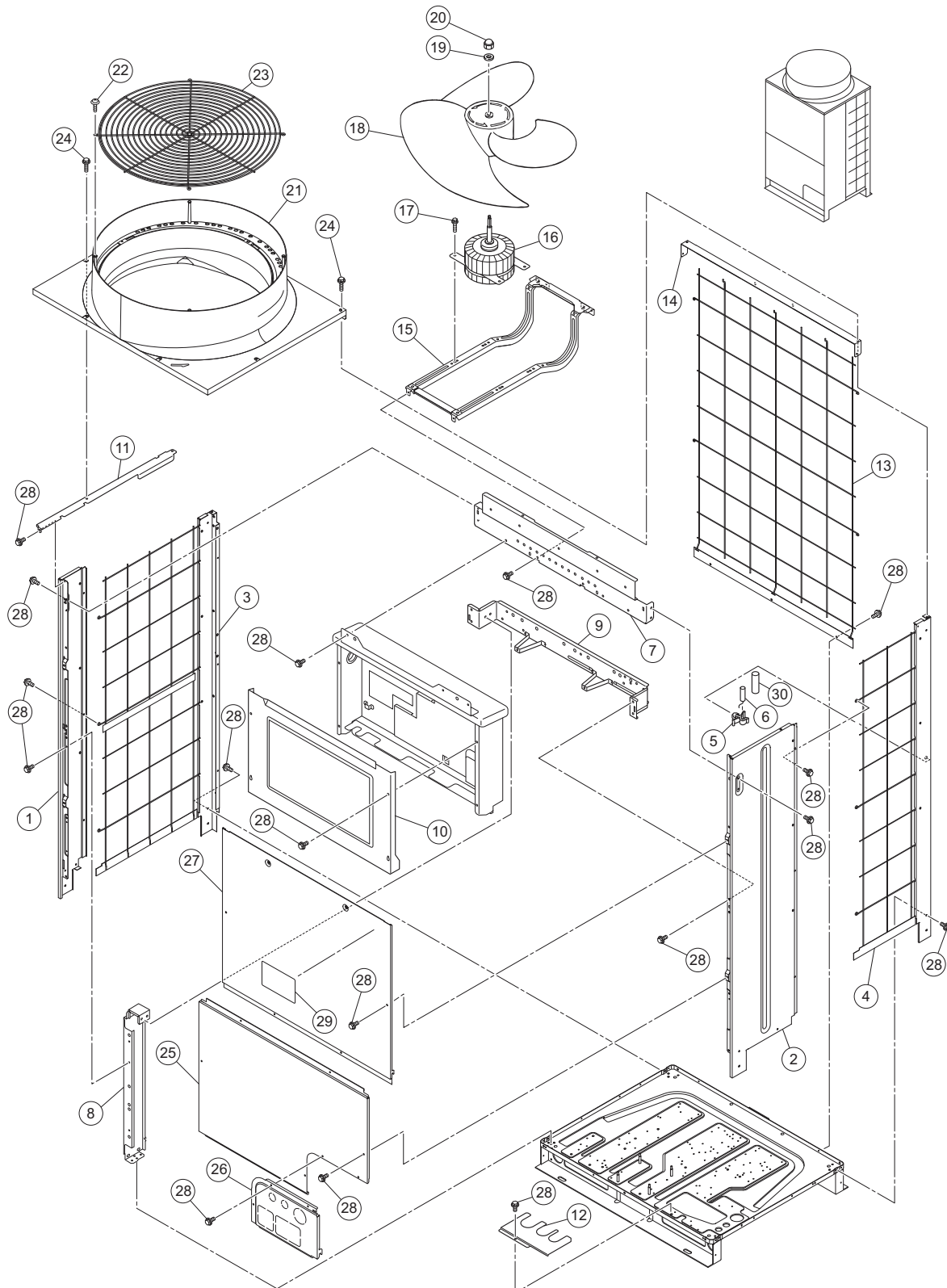


(P0135x-01)

Voltage
400V/50Hz

No.	Part Name	Replacement Part		Remarks	Q'ty Per Unit	
		Draw. No.	Order No.		RAS-5FSXNH	RAS-6FSXNH
1	Cabinet Panel	17B41356 A	P28528		1	1
2	Cabinet Panel	17B41355 A	P28527		1	1
3	Cabinet Panel	17F11469 A	P29574		1	1
4	Cabinet Panel	17F10149 A	P29349		1	1
5	TH Holder	17D55179 A		for Ta Thermistor	1	1
6	Thermistor	17C59663 A	P22520	THM7: for Ambient (Ta)	1	1
7	Stay	17F03717 A	P29747		1	1
8	Stay	17H16044 A			1	1
9	Stay	17F03697 A	P27748		1	1
10	E-Box Cover	17F11283 A			1	1
11	Stay	17F04003 A			1	1
12	Piping Cover	17H06168 A			1	1
13	Protection Net	17F10841 A	P29575		1	1
14	Stay	17H18662 A	P29577		1	1
15	Motor Clamp	17F03712 A	P28488		1	1
16	Fan Motor	17A21335 A	P28481	MOF1	1	1
17	Screw	17D30320 H	P29749	SUS, M6, for Fan Motor	4	4
18	Propeller Fan	17A21604 A	P28483	φ644	1	1
19	Washer	17E08525 E	P23249	SUS	1	1
20	Closing Nut	17D50034 D	P23248	SUS, M10	1	1
21	Cabinet Panel	17A15175 A	P26476		1	1
22	Screw	464M0416	P29372	SUS, M4	4	4
23	Air Grille	17C58631 B	P24215		1	1
24	Screw	17G84611 D	P27991	SUS, M5	6	6
25	Cabinet Panel	17B43544 A	P29268		1	1
26	Piping Cover	17F09247 A			1	1
27	Cabinet Panel	17F05788 A	P28490		1	1
28	Screw	17G84611 A	P25678	SUS, M5	29	29
29	HITACHI Label	17G93883 A			1	1
30	Vinyl Tube	17H12425 A	P28838	Thermistor Protection Tube (10m)	1	1

**NOTE:**  
 The parts without order number are the custom-ordered, and these are not mentioned in the price list.  
 When ordering them, the part name and the drawing number are required.  
 Contact your HITACHI distributor for the delivery date and price about them.



A	Truss Head Tapping Screw		F	Stud Bolt	
B	Round Head Screw		G	Nut	
C	Flat Head Screw		H	Washer	
D	Pan Head Tapping Screw		J	Spring Lock Washer	
E	Hexagon Head Bolt		K	Toothed Lock Washer	

**NOTE:**

The unchromated coating is applied to iron and steel material for the unspecified materials of the bolt and screw.

(P0135x-03)

					Voltage	
					400V/50Hz	
No.	Part Name	Replacement Part		Remarks	Q'ty Per Unit	
		Draw. No.	Order No.		RAS-5FSXNH	RAS-6FSXNH
1	Compressor	17F10550 A	06934904	MC1: DA50PHD-D1YE2	1	1
2	Vibration Absorber	17D21147 B	P28639		4	4
3	Vibration Absorber	17D21207 A	P13109		3	3
4	Nut	17D49475 A	P21245		3	3
5	Oil Heater	17F05909 A	P28538	CH1: 40.8W, Belt Heater	2	2
6	Rubber Cap	17B29767 A	P24397		1	1
7	Accumulator	17B43315 A	P29247		1	1
8	Piping Assy	17H16034 A			1	1
8-1	Check Joint	17C75461 D	P29350		1	1
9	Valve Stay	17F09346 A			1	1
10	D-Pipe Assy	17B43504 A			1	1
10-1	Oil Separator	17F08912 A	P29251		1	1
10-2	Check Valve	17C88669 A	P27310		1	1
10-3	Pressure Switch	17C83435 A	P26839	PSH1: Saginomiya, ACB-1UB34	1	1
10-4	Stay	17H06171 A			1	1
10-5	Saddle	29ZF0051			1	1
11	L -Pipe Assy	17B44332 A			1	1
11-1	Double Tube	17F05849 C			1	1
11-2	Strainer	17D55178 A	P16943		1	1
11-3	Expansion Valve	17C78465 A	P26007	MVB: Saginomiya, UKV-25D26	1	1
11-4	Coil	17C78180 C	P27606	MVB: Saginomiya, UKV-A035	1	1
11-5	Stop Valve(Liquid)	17F06326 A	P28918	3/8	1	1
11-6	Check Joint	17C75461 B	P25933		1	1
11-7	Stay	17H06172 A			1	1
11-8	Stopper	17E25685 A			1	1
11-9	Rubber Seat	17H10681 A			1	1
12	Reversing Valve Assy	17B43536 A			1	1
12-1	Reversing Valve	17F06923 A	P29253	RVR1, 2: Saginomiya, STF-H0712	1	1
12-2	Reversing Valve	17F06922 A	P29252	RVR1, 2: Saginomiya, STF-H0404	1	1
12-3	Coil	17F06925 A	P29697	RVR1, 2: Saginomiya, STF-H01A1870A1	2	2
12-4	Strainer	17G87733 B	P28508		1	1
12-5	Strainer	17G62701 A	P25036		3	3
12-6	Check Joint	17C75461 B	P25933		2	2
12-7	Check Joint	17C93010 A	P27887		2	2
12-8	Solenoid Valve	17C64849 A	P24511	SVA: Nichiden Kougyou, SR10PA	1	1
12-9	Solenoid Valve	17C77098 A	P25246	SVA: Nichiden Kougyou, SR10D	3	3
12-10	Coil	17C76434 A	P25307	SVA: Nichiden Kougyou, SR10PA	4	4
12-11	Stop Valve(Gas)	17F09233 A	P29260	7/8	2	2
12-12	Check Joint	17C75461 C	R4844		1	1
13	Piping Assy	17F09314 A	P29258	for Return Oil	1	1
13-1	Strainer	17D55178 A	P16943		1	1
14	Piping Assy	17H15756 A			1	1
15	Expansion Valve Assy	17H16037 A			1	1
15-1	Strainer	17G62700 A	P25041		1	1

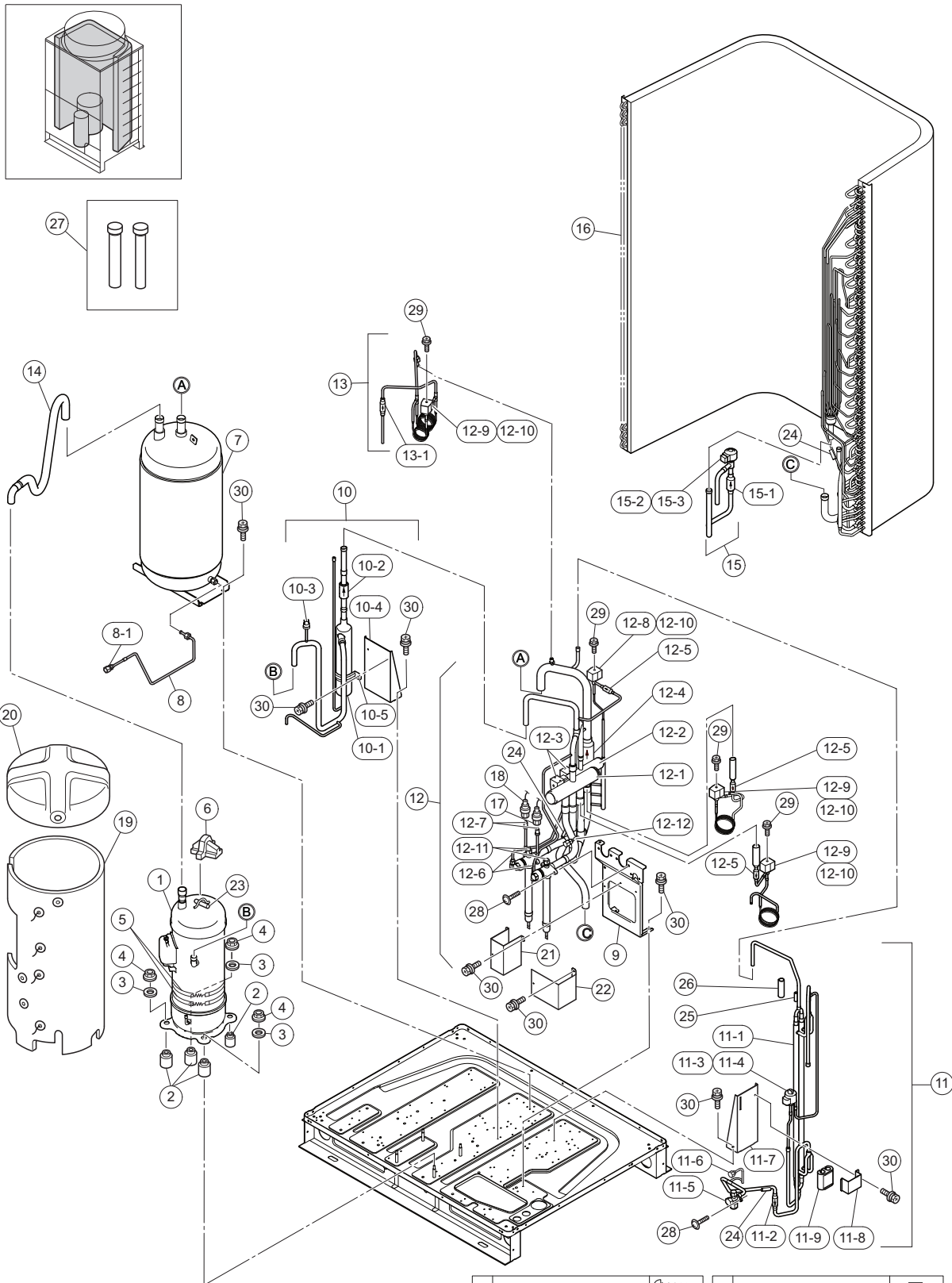
**NOTE:**

The parts without order number are the custom-ordered, and these are not mentioned in the price list.

When ordering them, the part name and the drawing number are required.

Contact your HITACHI distributor for the delivery date and price about them.





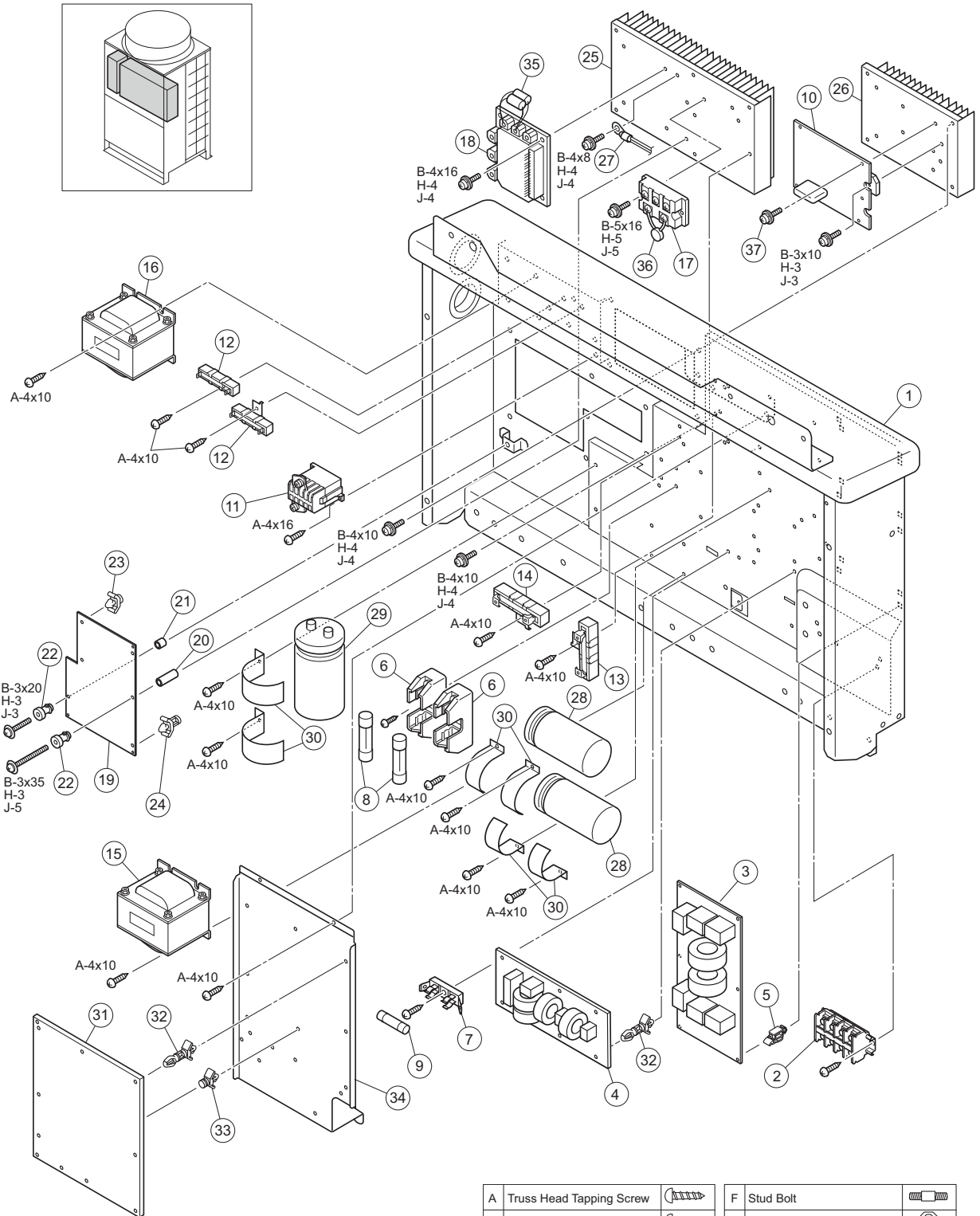
A	Truss Head Tapping Screw		F	Stud Bolt	
B	Round Head Screw		G	Nut	
C	Flat Head Screw		H	Washer	
D	Pan Head Tapping Screw		J	Spring Lock Washer	
E	Hexagon Head Bolt		K	Toothed Lock Washer	

**NOTE:**  
The uncoated coating is applied to iron and steel material for the unspecified materials of the bolt and screw.

(P0135x-05)

No.	Part Name	Replacement Part		Remarks	Voltage					
		Draw. No.	Order No.		400V/50Hz					
					Q'ty Per Unit					
					RAS-5FSXNH	RAS-6FSXNH	RAS-8FSXNH	RAS-10FSXNH	RAS-12FSXNH	
1	Electrical Box	17B41358 A			1	1	1	1	1	
2	Terminal Board	17P00842 C		TB1: 600V, 50A	1	1	1	1	1	
3	Noise Filter	17B41798 A	P28595	NF1: 4LFB-22930-2F	1	1	1	1	1	
4	Noise Filter	17B42008 A	P28596	NF2: LFB-14930-3MA	1	1	1	1	1	
5	Plastic Material	17G07802 A	P20985		6	6	6	6	6	
6	Fuse Holder	17C68732 A	P24729	EF1, 2 (for Inv. Comp.)	2	2	2	2	2	
7	Fuse Holder	17C68766 A	P24114	EF11 (for Fan)	1	1	1	1	1	
8	Fuse	17C89721 A	P27268	EF1, 2: 40A, Cartridge Fuse (for Inv. Comp.)	2	2	2	2	2	
9	Fuse	17F01759 G	P28602	EF11: 20A, Cartridge Fuse (for Fan)	1	1	1	1	1	
10	Fan Controller	17H07495 B	P28479	FANM: PV092	1	1	1	1	1	
11	Magnet Switch	17B28277 B	P24721	CMC1: Fuji Electric, FC-0/SP	1	1	1	1	1	
12	Resistor	17B33595 A	P26062	RS1, 2: 20SHT500JA187	2	2	2	2	2	
13	Resistor	17B41920 A	P28599	R1: 40SH, 6.3k $\Omega$	1	1	1	1	1	
14	Resistor	17B41920 B	P28600	R2: 40SH, 10.5k $\Omega$	1	1	1	1	1	
15	Reactor	17F05484 A	P28601	DCL2: 3.0mH, 10A (for Fan)	1	1	1	1	1	
16	Reactor	17B43206 A	P27217	DCL1: 1.0mH, 30A (for INV.)	1	1	1	1	1	
17	Diode Module	17G92900 K	P27779	DM: DF50AA160	1	1	1	1	1	
18	Transistor Module	17G92902 L	P27787	IPM: 6MBP50RA120-55	1	1	1	1	1	
19	PCB-S	17H07496 B	P28477	PCB2: PV093	1	1	1	1	1	
20	Plastic Material	17G15233 B	P20986		2	2	2	2	2	
21	Plastic Material	17G15233 C	P26099		1	1	1	1	1	
22	Plastic Material	17G15232 A	P20987		3	3	3	3	3	
23	Plastic Material	17G26059 D	P26472		1	1	1	1	1	
24	Plastic Material	17G26059 E	P26473		1	1	1	1	1	
25	Radiation Fin	17F03877 A			1	1	1	1	1	
26	Radiation Fin	17F03878 A			1	1	1	1	1	
27	Thermistor	17H07888 A	P28498	THM: for Inverter Fin	1	1	1	1	1	
28	Capacitor	17B37350 B	P28597	CB1, 2: 450V, 4700 $\mu$ F (for INV.)	2	2	2	2	2	
29	Capacitor	17B41966 B	P28598	CB3: 450V, 2700 $\mu$ F (for Fan)	1	1	1	1	1	
30	Saddle	17D52835 A			6	6	6	6	6	
31	PCB-S	17H14055 H	P29570	PCB1: PO113	1	1	1	1	1	
32	Plastic Material	17G26058 A	P21187		15	15	15	15	15	
33	Plastic Material	17G26059 A	P21189		2	2	2	2	2	
34	Plate	17F05519 A			1	1	1	1	1	
35	Capacitor	17G75514 C	P27998	CS1, CS2	1	1	1	1	1	
36	Noise Suppressor	17G85788 D		ZNR	1	1	1	1	1	
37	Screw	17H09678 A			5	5	5	5	5	

NOTE:  
 The parts without order number are the custom-ordered, and these are not mentioned in the price list.  
 When ordering them, the part name and the drawing number are required.  
 Contact your HITACHI distributor for the delivery date and price about them.



A	Truss Head Tapping Screw		F	Stud Bolt	
B	Round Head Screw		G	Nut	
C	Flat Head Screw		H	Washer	
D	Pan Head Tapping Screw		J	Spring Lock Washer	
E	Hexagon Head Bolt		K	Toothed Lock Washer	

**NOTE:**

The uncoated coating is applied to iron and steel material for the unspecified materials of the bolt and screw.