

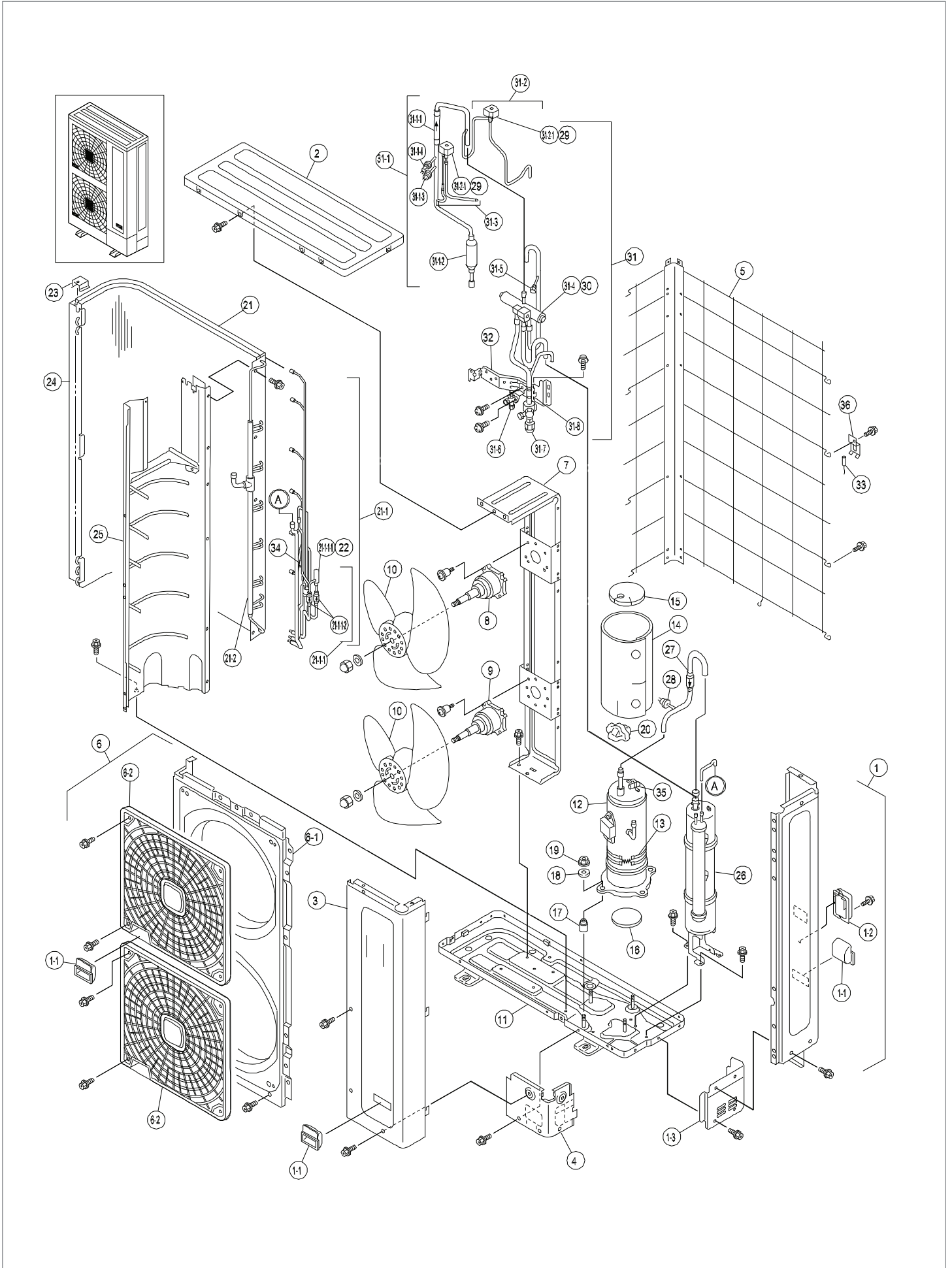
PRODUCT CODE	7E304020
	MODEL NAME
	RAS-4HVNP1E, 1~ 230V 50Hz
	RAS-5HVNP1E, 1~ 230V 50Hz
	RAS-6HVNP1E, 1~ 230V 50Hz
	RAS-4HNP1E, 3~ 400V 50Hz
	RAS-5HNP1E, 3~ 400V 50Hz
RAS-6HNP1E, 3~ 400V 50Hz	

No.	DESCRIPTION	DWG No.	PART No.	Qty	Qty	Qty	Qty	Qty	Qty	REMARKS
1	Rear Cover L Assy	XEK22859 B	E02365	1	1	1	1	1	1	Assembly
1-1	Handle	17C71740 A	E01897	3	3	3	3	3	3	
1-2	H Cover	17B27407 A	E01898	1	1	1	1	1	1	
1-3	Pipe Cover B	17C86251 A	P27003	1	1	1	1	1	1	
2	Upper Cover Assy	XEK22860 A	E01794	1	1	1	1	1	1	Assembly
3	Service Cover L Assy	XEK12318 A	E03894	1						Assembly
3	Service Cover L Assy	XEK12318 B	E03895		1					Assembly
3	Service Cover L Assy	XEK12318 C	E03896			1				Assembly
3	Service Cover L Assy	XEK12318 D	E03897				1			Assembly
3	Service Cover L Assy	XEK12318 E	E03898					1		Assembly
3	Service Cover L Assy	XEK12318 F	E03899						1	Assembly
4	S Cover B	17B36514 A	P27002	1	1	1	1	1	1	Lower Service Cover
5	Protector Net L Assy	XEK24692 A	E01796	1	1	1	1	1	1	
6	Shroud L Unit	XEK22858 A	E02094	1	1	1	1	1	1	Assembly
6-1	Shroud L	XEK00936 A	E01810	1	1	1	1	1	1	Shroud
6-2	Front Protector Net	17A17019 A	E02876	2	2	2	2	2	2	Air Outlet
7	Clamp L Assy	XEK11948 A	E02817	1	1	1	1	1	1	
8	Fan Motor	17B41808 A	P28608	1	1	1	1	1	1	MOF1, DC100W,8P
9	Fan Motor	17B41808 B	P28632	1	1	1	1	1	1	MOF2, DC100W,8P
10	Propeller Fan	17A17362 B	P27001	2	2	2	2	2	2	Ø544
11	B-Base Assy	XEK22864 A	E02096	1	1	1	1	1	1	Assembly
12	Compressor	17F07385 A	09931301	1	1	1				E402HHD-36A2
12	Compressor	17F09654 A	E03352				1	1	1	E402HHD-36D2
13	C Heater	17F05573 B	P29160	1	1	1	1	1	1	240V-52W
14	Acoustical Cover	17F07841 A	P28990	1	1	1	1	1	1	
15	Acoustical Cover	17H13075 A	P28991	1	1	1	1	1	1	Upper Cover
16	Acoustical Cover	17F05831 A	P28612	1	1	1	1	1	1	Lower Cover
17	Vibration Absorber	17D21147 B	P28639	4	4	4	4	4	4	

No.	DESCRIPTION	DWG No.	PART No.	MODEL NAME						REMARKS					
				Qty	Qty	Qty	Qty	Qty	Qty						
				PRODUCT CODE											
				RAS-4HVNP1E, 1~ 230V 50Hz	7E304020	RAS-5HVNP1E, 1~ 230V 50Hz	7E304021	RAS-6HVNP1E, 1~ 230V 50Hz	7E304022	RAS-4HNP1E, 3~ 400V 50Hz	7E304120	RAS-5HNP1E, 3~ 400V 50Hz	7E304121	RAS-6HNP1E, 3~ 400V 50Hz	7E304122
18	Vibration Absorber	17D21207 A	P13109	3	3	3	3	3	3						
19	Special Nut	17D49475 A	E02000	2	2	2	2	2	2						
20	Rubber Cap	17B29767 A	P24397	1	1	1	1	1	1						
21	Condenser	XEK01260 A	E03353	1	1	1	1	1	1	Assembly(Heat exchanger + 21-1+21-2)					
21-1	Header L Unit	XEK24465 A	E03355	1	1	1	1	1	1	Assembly					
21-1-1	EVO Assy	XEK37471 A	E03414	1	1	1	1	1	1	Assembly					
21-1-1-1	Expansion Valve	17F05654 A	P28614	1	1	1	1	1	1	EVO					
21-1-1-2	Strainer	17G62701 B	P25037	2	2	2	2	2	2						
21-2	Header G Unit	17F07363 A	E03354	1	1	1	1	1	1	Assembly					
22	EXPV Coil	17C78180 A	P26009	1	1	1	1	1	1	Coil for Expansion Valve					
23	Stay	17G57303 A	E02105	1	1	1	1	1	1						
24	End P Unit	17C87812 B	E02107	1	1	1	1	1	1						
25	Partition Assy	XEK22987 C	E01896	1	1	1	1	1	1						
26	Tank Assy	XEK24454 A	E03356	1	1	1	1	1	1	Assembly					
27	Strainer	17G55723 A	P24399	1	1	1	1	1	1						
28	Pressure SW	XEK24355 A	E03342	1	1	1	1	1	1	For Low Pressure					
29	Coil 20	17C64850 B	P25454	2	2	2	2	2	2	Coil for Solenoid Valve					
30	Coil	17F07262 A	P28921	1	1	1	1	1	1	Coil for 4-Way Valve					
31	4-Way Valve Assy	XEK12135 A	E03358	1	1	1	1	1	1	Assembly					
31-1	D Pipe Unit	XEK37451 A	E03425	1	1	1	1	1	1	Assembly					
31-1-1	Check Valve	17C84659 A	P10777	1	1	1	1	1	1						
31-1-2	Silencer	17H05922 A	P28629	1	1	1	1	1	1						
31-1-3	Pressure SW	XEK22551 A	P26839	1	1	1	1	1	1	PSH (High)					
31-1-4	P-Sensor	17B42440 A	P28917	1	1	1	1	1	1	PSC (Control)					
31-2	SVC Assy	17H08917 A	E03361	1	1	1	1	1	1						
31-2-1	Solenoid Valve	17C77098 A	P25246	2	2	2	2	2	2	SVA					
31-3	SVA Assy	17H12381 A	E03360	1	1	1	1	1	1	Assembly					
31-4	4 Way Valve	17C73725 A	P26337	1	1	1	1	1	1	RVR					

MODEL NAME	PRODUCT CODE
RAS-4HVNPIE, 1~ 230V 50Hz	7E304020
RAS-5HVNPIE, 1~ 230V 50Hz	7E304021
RAS-6HVNPIE, 1~ 230V 50Hz	7E304022
RAS-4HNP1E, 3~ 400V 50Hz	7E304120
RAS-5HNP1E, 3~ 400V 50Hz	7E304121
RAS-6HNP1E, 3~ 400V 50Hz	7E304122

No.	DESCRIPTION	DWG No.	PART No.	Qty	Qty	Qty	Qty	Qty	Qty	REMARKS
31-5	Check JA	17C75461 A	E01160	1	1	1	1	1	1	
31-6	Stop Valve	17F06326 A	P28918	1	1	1	1	1	1	For liquid line 3/8
31-7	Stop Valve	17F06815 A	P28924	1	1	1	1	1	1	For gas line 5/8
31-8	Valve Stay	17F07248 A	E03362	1	1	1	1	1	1	
32	V-Stay	17F07129 A	E03363	1	1	1	1	1	1	
33	Thermistor	17C59663 E	E00692	1	1	1	1	1	1	For Outdoor Temp., THM7
34	Thermistor	17C59664 D	P23504	1	1	1	1	1	1	For Pipe Temp., THM8
35	Thermistor	17B24597 A	P22521	1	1	1	1	1	1	For Discharge Gas Temp. THM9
36	TH-Plate	XEK21470 A	E01901	1	1	1	1	1	1	



MODEL NAME	PRODUCT CODE			
RAS-3HVNP1E, 1~ 230V 50Hz	7E304018			
RAS-4HVNP1E, 1~ 230V 50Hz	7E304020			
RAS-5HVNP1E, 1~ 230V 50Hz	7E304021			
RAS-6HVNP1E, 1~ 230V 50Hz	7E304022			

No.	DESCRIPTION	DWG No.	PART No.	Qty	Qty	Qty	Qty	REMARKS
1	Electrical Box	XEK01261 A	E03415	1				Assembly (2+3+Harness)
1	Electrical Box	XEK01262 A	E03416		1			Assembly (2+3+Harness)
1	Electrical Box	XEK01262 B	E03417			1		Assembly (2+3+Harness)
1	Electrical Box	XEK01262 C	E03418				1	Assembly (2+3+Harness)
2	P Plate Unit	XEK12138 A	E03364	1				Assembly (2-1~2-11)
2	P Plate Unit	XEK12138 B	E03365		1	1	1	Assembly (2-1~2-11)
2-1	P Plate Assy	XEK37454 A	E03366	1	1	1	1	Assembly
2-2	Printed Circuit Board	XEK38216 A	E03900	1	1	1	1	PCB1, PO101A Assy
2-3	Spacer	XEK30992 B	P19112	6	6	6	6	For PCB1
2-4	Push Spacer	XEK31888 A	E00738	2	2	2	2	For PCB1
2-5	Terminal Board	17C74177 A	E01818	1	1	1	1	TB
2-6	Noise Filter	17B42008 A	P28596	1	1	1	1	NF
2-7	Spacer	XEK34315 A	E01789	6	6	6	6	For Noise Filter
2-8	Fuse Holder	17C68732 A	P24729	1	1	1	1	
2-9	Fuse	XEK32372 B	P24776	1				40A
2-9	Fuse	XEK32372 C	P24728		1	1	1	50A
2-10	Reactor Unit	17G93177 A	E02419	1				
2-10	Reactor Unit	17G93177 B	E02468		1	1	1	
2-11	MG SW	17B28277 B	P24721	1	1	1	1	CMC1
3	Power Unit Assy	XEK24439 A	E03368	1				Assembly (3-1~3-2)
3	Power Unit Assy	XEK24440 A	E03369		1	1	1	Assembly (3-1~3-2)
3-1	Power Stay Assy	XEK36265 A	E02424	1	1	1	1	Assembly
3-2	Inv. Fin Assy	17C87472 J	E03370	1				
3-2	Inv. Fin Assy	17F07378 C	E03371		1	1	1	
4	Upper Support	17G84652 A	E02426	1	1	1	1	

