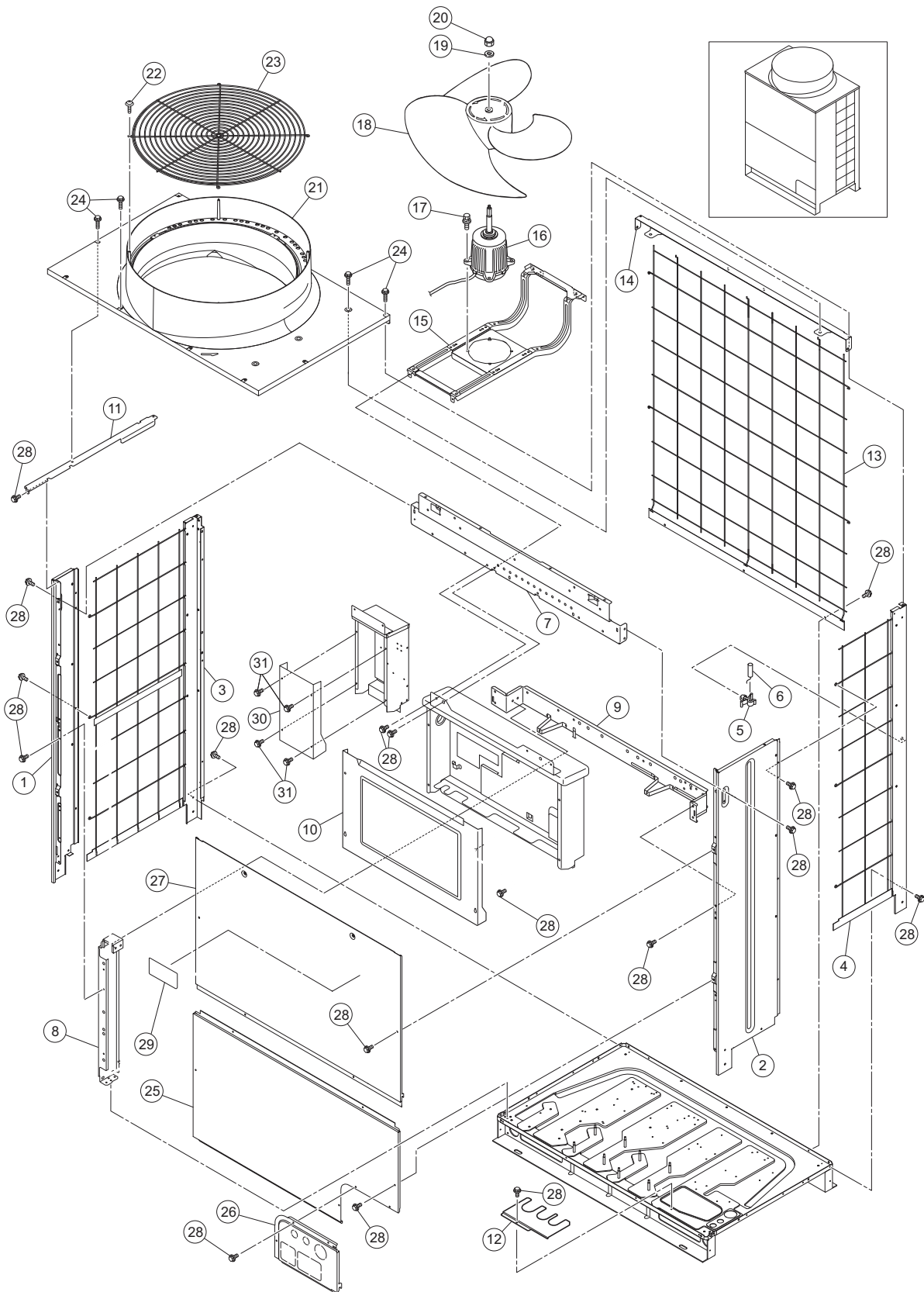
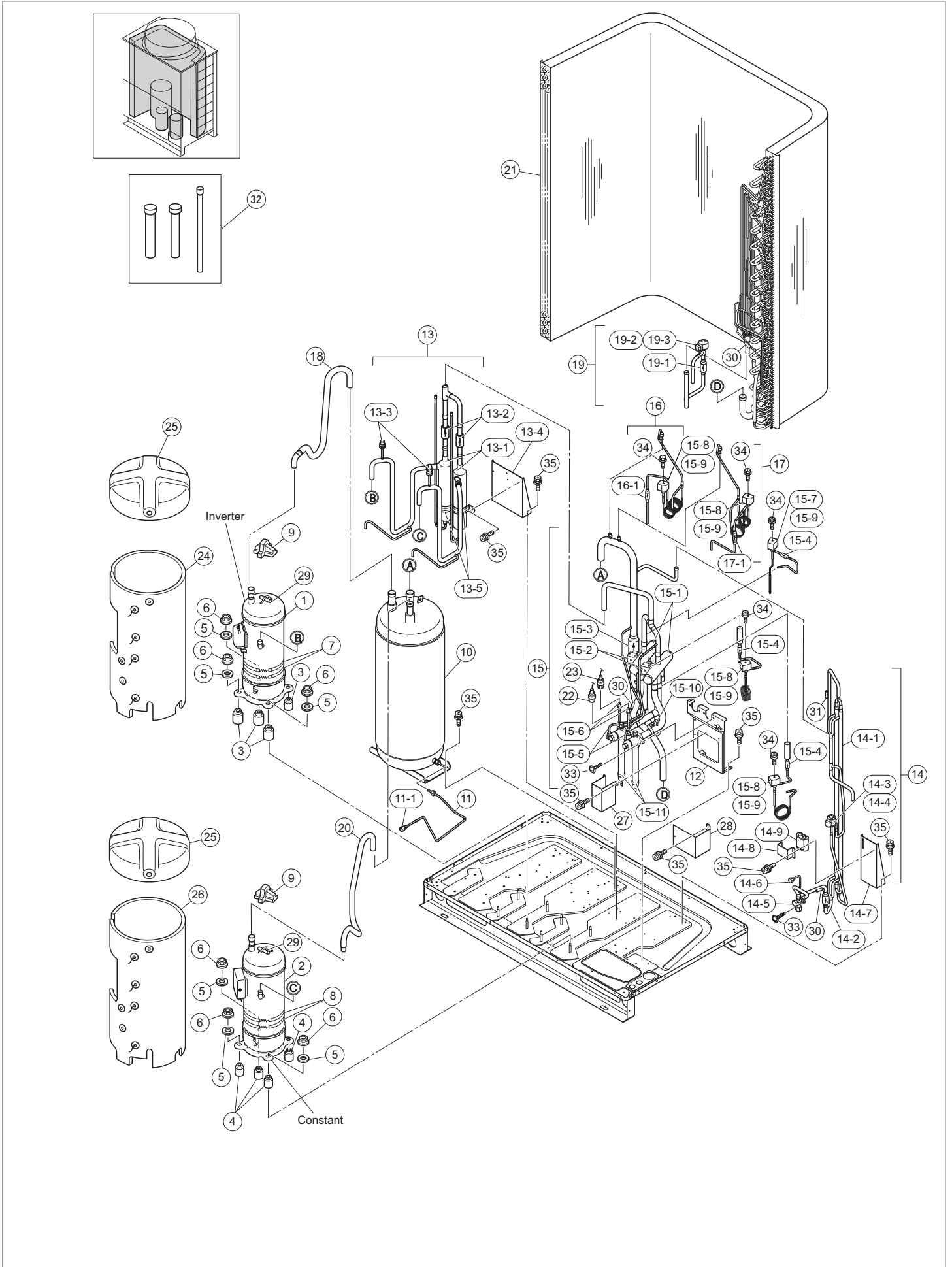


					Voltage	
					400V/50Hz	
No.	Part Name	Replacement Part		Remarks	Q'ty Per Unit	
		Draw. No.	Order No.		7E331130	7E331131
					RAS- 14FSXN1E	RAS- 16FSXN1E
1	Side Cover L	17B41356 A	P28528		1	1
2	Side Cover R	17B41355 A	P28527		1	1
3	Side Cover L2 Assy	XEK24767 A	E03902		1	1
4	Side Cover R2 Assy	XEK24766 A	E03903		1	1
5	TH Holder	17D55179 A	E03089	for Ta Thermistor	1	1
6	Thermistor	17C59663 A	P22520	THM7: for Ambient (Ta)	1	1
7	Front Stay L	17F03718 A	E03100		1	1
8	Support Stay Assy	17H16044 C	E03910		1	1
9	D Fix L Assy	XEK24255 A	E03101		1	1
10	E-Box Cover	XEK24212 B	E03905		1	1
11	Upper Stay L	17F04003 A	E03092		1	1
12	Piping Cover	17H06168 A	E03095		1	1
13	Protection Net	17F10842 A	P29576		1	1
14	Rear Stay Assy	17H18663 A	P29578		1	1
15	Clamp Unit	XEK24630 A	E04002		1	1
16	Fan Motor	17A22169 A	P28768	MOF1	1	1
17	Screw	17D30309 E	P26970	SUS, M5, for Fan Motor	4	4
18	Propeller Fan	17A21604 A	P28483	φ644	1	1
19	Washer	17E08525 E	P23249	SUS	1	1
20	Closing Nut	17D50034 D	P23248	SUS, M10	1	1
21	Upper Cover	17C79378 D	E04003		1	1
22	Screw	464M0416	E03098	SUS, M4	4	4
23	Air Grille	17C58631 B	P24215		1	1
24	Screw	17G84611 D	P27991	SUS, M5	14	14
25	Front Cover L2	XEK12298 A	E03912		1	1
26	Pipe Cover 2	XEK24747 A	E03907		1	1
27	Service Cover L	XEK12080 A	P28491		1	1
28	Screw	17H12637 A	P25678	SUS, M5	35	35
29	HITACHI Label	XEK34697 B	E03099		1	1
30	Sub E-Box Cover	17F05669 A	E03102		1	1
31	Screw	17H12637 A	P25678	For Sub E-Box Cover	4	4



No.	Part Name	Replacement Part		Remarks	Voltage	
					400V/50Hz	
					Q'ty Per Unit	
Draw. No.	Order No.	7E331130		7E331131		
		RAS-	14FSXN1E	RAS-	16FSXN1E	
1	Compressor (Inverter)	17F10551 A	06954904	MC1: DA65PHD-D1YE2	1	1
2	Compressor (Constant)	17C78332 A	06954520	MC2: E655DH-65D2Y	1	1
3	Vibration Proof Rubber	17D21147 B	P28639		4	4
4	Vibration Proof Rubber	17D49474 A	P17308		4	4
5	Vibration Proof Rubber	17D21207 A	E00699		6	6
6	Nut	17D49475 A	P21245		6	6
7	Oil Heater	17F05909 A	P28538	CH1: 40.8W, Belt Heater	2	2
8	Oil Heater	17F05909 B	P28539	CH2: 40.8W, Belt Heater	2	2
9	Rubber Cap	17B29767 A	P24397		2	2
10	Accumulator	XEK12232 A	E03928		1	1
11	Oil Pipe Assy	XEK37887 A	E03929		1	1
11-1	Check Joint	17C75461 D	P29350		1	1
12	Valve Stay	XEK24613 A	E03916		1	1
13	D Pipe Assy	XEK12234 A	E03931		1	1
13-1	Oil Separator	XEK24675 A	E03918		2	2
13-2	Check Valve	17C88669 A	P27310		2	2
13-3	High Pressure Switch	XEK22551 A	P25043	PSH1: Saginomiya, ACB-1UB42	2	2
13-4	Stay for Oil Separator	17H06170 A	E03142		1	1
13-5	Saddle	29ZF0051	E03109		2	2
14	L Pipe Assy	XEK12287 A	E03933		1	1
14-1	Double Tube Assy	XEK38011 A	E03934		1	1
14-2	Strainer	17G62700 A	P25041		1	1
14-3	Expansion Valve	17C78465 A	P26007	MVB: Saginomiya, UKV-25D26	1	1
14-4	Coil for Expansion Valve	17C78180 C	P27606	MVB: Saginomiya, UKV-A035	1	1
14-5	Stop Valve (Liquid)	17F06327 A	P28927	1/2	1	1
14-6	Check Joint	17C75461 B	P25044		1	1
14-7	Plate Stay	17H06172 A	E03115		1	1
14-8	Plate Support	17E25685 A	E03116		1	1
14-9	Rubber Sheet	17H10681 A	E03921		1	1
15	4-Way Valve Assy	XEK12235 A	E03936		1	1
15-1	4-Way Valve	17F06923 A	P29253	RVR1, 2: Saginomiya, STF-H0712	2	2
15-2	Coil for 4-Way Valve	17F06925 A	P29697	RVR1, 2: Saginomiya, STF-H01A1870A1	2	2
15-3	Strainer	17G87733 A	P27603		1	1
15-4	Strainer	17G62701 A	P25036		3	3
15-5	Check Joint	17C75461 B	P25044		2	2
15-6	PGC Joint	17C93010 B	P27887		2	2
15-7	Solenoid Valve	17C64849 A	P24511	SVA: Nichiden Kougyou, SR10PA	1	1
15-8	Solenoid Valve	17C77098 A	P25246	SVF, SVG: Nichiden Kougyou, SR10D	4	4
15-9	Coil for Solenoid Valve	17C76434 B	E03123	SVA, SVF, SVG: Nichiden Kougyou, SR10P	5	5
15-10	Check Joint	17C75461 C	E03124		1	1
15-11	Stop Valve (Gas)	17F09234 A	P29261	1/1	2	2
16	Oil Return Pipe Assy 1	17F09316 A	P29255	for Inverter Compressor	1	1
16-1	Strainer	17D55178 A	P16943		1	1
17	Oil Return Pipe Assy 2	17F09317 A	P29256	for Constant Compressor	1	1

					Voltage	
					400V/50Hz	
No.				Remarks		
		Draw. No.	Order No.			
17-1	Strainer	17D55178 A	P16943		1	1
18	Pipe S1 Assy	17H15766 A	E03937		1	1
19	Expansion Valve Assy	17H16037 A	E03925		1	1
19-1	Strainer	17G62700 A	P25041		1	1
19-2	Expansion Valve	17F07288 B	P29262	MV1: Saginomiya, PAM-BBOYGHS-1	1	1
19-3	Coil for Expansion Valve	17F07287 A	P29263	MV1: Saginomiya, PAM-MD12HS-7	1	1
20	S Pipe 2	17H15843 A	E03939		1	1
21	Condenser Assy	XEK12240 A	E03940		1	1
22	Pressure Sensor (High)	17B35964 A	P26013	PD: Saginomiya, NSK-BD050F-102	1	1
23	Pressure Sensor (Low)	17B35965 A	P26014	PS: Saginomiya, NSK-BD020F-102	1	1
24	Sound Proof Cover	17F09423 A	P29345		1	1
25	Top Sound Proof Cover	17F12203 B	P29803		2	2
26	Sound Proof Cover	17F12189 A	P29778		1	1
27	Cover Stay 1	17H06228 A	E03093		1	1
28	Cover Stay 2	17H06229 A	E03094		1	1
29	Thermistor	17B24597 K	P23508	THM8: for Compressor (Td1)	2	2
30	Thermistor	17C59664 D	P23504	THM17, 11, 10: for Piping (Te, Tg, Tchg)	3	3
31	Thermistor	17C59664 G	E00764	THM23: for Piping (TBg)	1	1
32	Accessory Pipe Unit	XEK37178 D	E03153		1	
		XEK37178 E	E03154			1
33	Screw	17D30320 F	P25673	SUS, M6	6	6
34	Screw	17E19003 B	E03135	for Coil	5	5
35	Screw	17H12637 A	P25678	SUS, M5	19	19



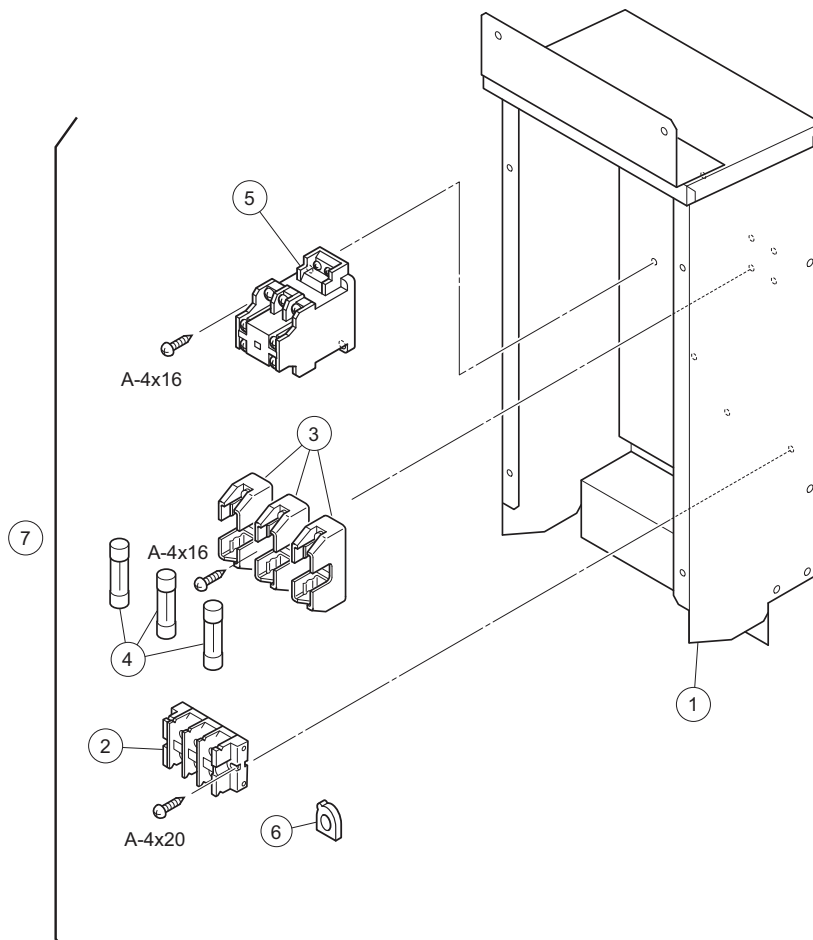
No.	Part Name	Replacement Part		Remarks	Voltage				
		Draw. No.	Order No.		400V/50Hz				
					Q'ty Per Unit				
					7E331110	7E331111	7E331112	7E331130	7E331131
					RAS-8FSXN1E	RAS-10FSXN1E	RAS-12FSXN1E	RAS-14FSXN1E	RAS-16FSXN1E
1	Electrical Box Plate	XEK12242 A	E03908	Steel Plate Only	1	1	1	1	1
2	Terminal Board	XEK34375 A	E02519	TB1: 600V, 50A	1	1	1		
2	Terminal Board	17P00843 C	E03158	TB1: 600V, 80A				1	1
3	Noise Filter	17B41798 A	P28595	NF1: 4LFB-22930-2F	1	1	1	1	1
4	Noise Filter	17B42008 A	P28596	NF2: LFB-14930-3MA	1	1	1	1	1
5	Holder	17G07802 A	P20985		6	6	6	6	6
6	Fuse Holder	17C68732 A	P24729	EF1, 2 (for Inv. Comp.)	2	2	2	2	2
7	Fuse Holder	17C68766 A	P24114	EF11 (for Fan)	1	1	1	1	1
8	Fuse	XEK32372 B	P24776	EF1, 2: 40A, Cartridge Fuse (for Inv. Comp.)	2	2	2	2	2
9	Fuse	17F01759 G	P28602	EF11: 20A, Cartridge Fuse (for Fan)	1	1	1	1	1
10	Fan Controller	17B41624 B	E03159	FANM: PV092	1	1	1	1	1
11	Magnet Switch	17B28277 B	P24721	CMC1: Fuji Electric, FC-0/SP	1	1	1	1	1
12	Resistor	17B33595 A	P26062	RS1, 2: 20SHT500JA187	2	2	2	2	2
13	Resistor	17B41920 A	P28599	R1: 40SH, 6.3kΩ	1	1	1	1	1
14	Resistor	17B41920 B	P28600	R2: 40SH, 10.5kΩ	1	1	1	1	1
15	Reactor	17F05484 A	P28601	DCL2: 3.0mH, 10A (for Fan)	1	1	1	1	1
16	Reactor	17B43206 A	P27217	DCL1: 1.0mH, 30A (for INV.)	1	1	1	1	1
17	Diode Module	17B40192 A	P27214	DM: PT50SN16	1	1	1	1	1
18	Transistor Module	17B37211 A	P27215	IPM: 6MBP50RA120-55	1	1	1	1	1
19	PCB for Inverter	17B41615 B	P29549	PCB2: PV093	1	1	1	1	1
20	Collar	17G15233 B	P20986		2	2	2	2	2
21	Collar	17G15233 C	P26099		1	1	1	1	1
22	Bush	17G15232 A	P20987		3	3	3	3	3
23	Spacer	XEK34316 B	E01617		1	1	1	1	1
24	Spacer	XEK34316 C	E01616		1	1	1	1	1
25	Radiation Fin 1	17F03877 A	E03161		1	1	1	1	1
26	Radiation Fin 2	17F03878 A	E03162		1	1	1	1	1
27	Thermistor	17H07888 A	P28498	THM: for Inverter Fin	1	1	1	1	1
28	Capacitor	17B37350 B	P28597	CB1, 2: 450V, 4700μF (for INV.)	2	2	2	2	2
29	Capacitor	17B41966 B	E03163	CB3: 450V, 2700μF (for Fan)	1	1	1	1	1
30	Saddle	XEK31179 C	E02059		6	6	6	6	6
31	Printed Circuit Board	17B43062 K	E03831	PCB1: PO113	1	1	1	1	1
32	Spacer	XEK30992 C	E03165		15	15	15	15	15
33	Spacer	XEK34316 A	P21189		2	2	2	2	2
34	PCB Plate	XEK24264 A	E03166		1	1	1	1	1
35	Capacitor	17H16964 A	E03474	CS1, CS2	1	1	1	1	1
36	Noise Suppressor	17G85788 D	E03909	ZNR	1	1	1	1	1
37	Screw	17H09678 A	E03168		5	5	5	5	5
38	Electrical Box	XEK01308 A	E03941	Components+Harness+Plates	1				
39	Electrical Box	XEK01308 B	E03942	Components+Harness+Plates		1			
40	Electrical Box	XEK01308 C	E03943	Components+Harness+Plates			1		
41	Electrical Box	XEK01309 A	E03944	Components+Harness+Plates				1	
42	Electrical Box	XEK01309 B	E03945	Components+Harness+Plates					1

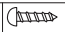

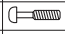

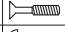







(P0137x-06(380-415))

No.	Part Name	Replacement Part		Remarks	Voltage	
		Draw. No.	Order No.		380-415V/50Hz	
					Q'ty Per Unit	
7E331130	7E331131					
1	E-Box Unit	XEK24284 A	E03169	Steel Plate Only	RAS-14FSXN1 1	RAS-16FSXN1 1
2	Terminal Board	17C83098 A	E03170		1	1
3	Fuse Holder	17C68732 A	P24729	EF3, 4, 5	3	3
4	Fuse	XEK32372 A	E00808	EF3, 4, 5: 32A, Cartridge Fuse(for Constant Comp.)	3	3
5	Magnet Switch	17B25840 D	P24774	CMC2: Fuji Electric, FC-2S	1	1
6	Current Sensor	17C46618 B	P20481	CT2	1	1
7	Sub Electrical Box	XEK24649 A	E03913	Components+Harness+Plates	1	1





A	Truss Head Tapping Screw		F	Stud Bolt	
B	Round Head Screw		G	Nut	
C	Flat Head Screw		H	Washer	
D	Pan Head Tapping Screw		J	Spring Lock Washer	
E	Hexagon Head Bolt		K	Toothed Lock Washer	

**NOTE:**

The unicromated coating is applied to iron and steel material for the unspecified materials of the bolt and screw.