

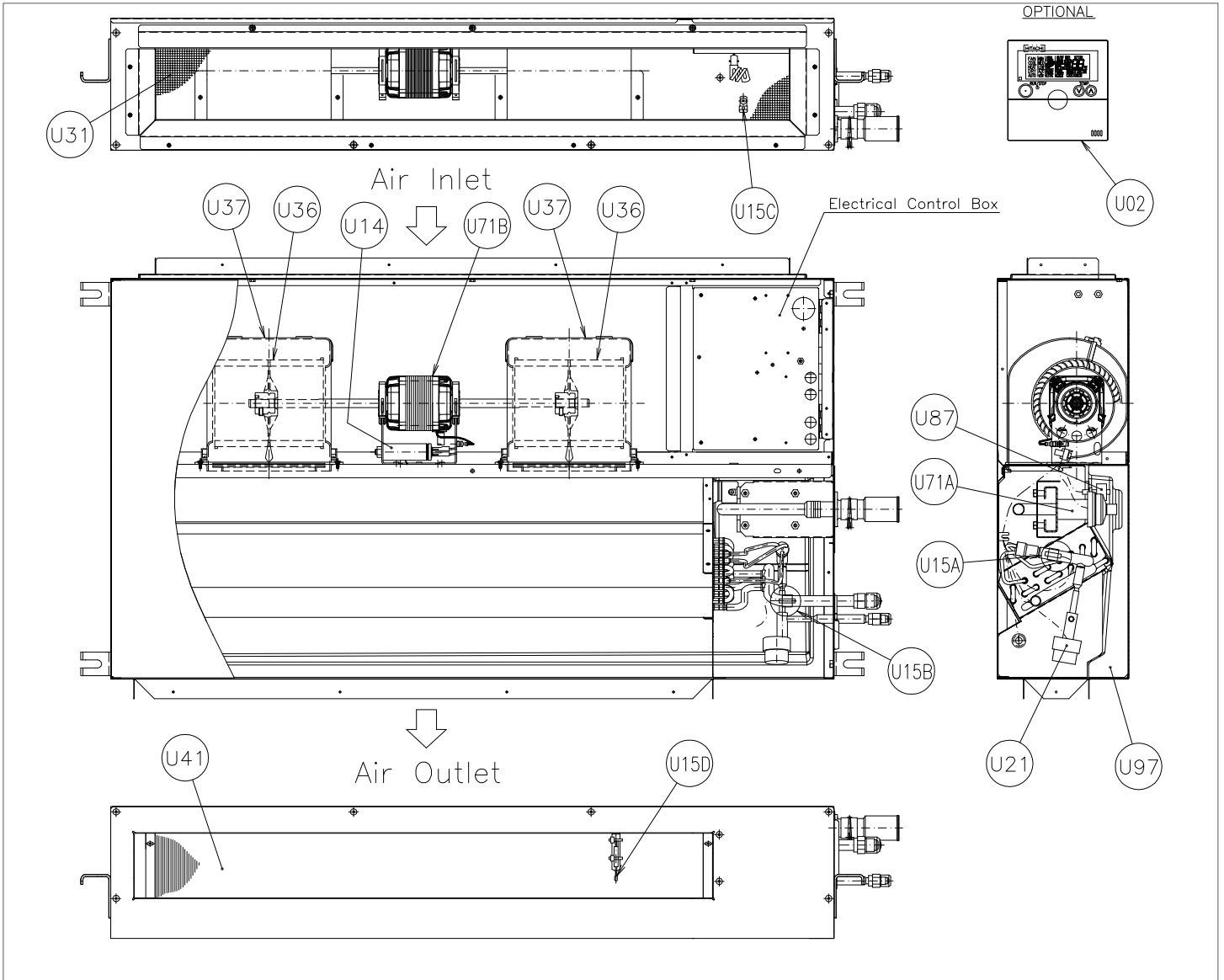
Model	Page Code		Applicable Manufacturing Number
	Spare Parts List	Location of Spare Parts	
RPI-0.8FSN2E 1~ 230V 50Hz	EPN-0806B-1A	EPN-0806B-1B	From the First Production
RPI-1.0FSN2E 1~ 230V 50Hz			
RPI-1.5FSN2E 1~ 230V 50Hz		EPN-0806B-2B	
RPIM-0.8FSN2E 1~ 230V 50Hz			
RPIM-1.0FSN2E 1~ 230V 50Hz			
RPIM-1.5FSN2E 1~ 230V 50Hz			
RPIM-0.8FSN2E-DU 1~ 230V 50Hz			
RPIM-1.0FSN2E-DU 1~ 230V 50Hz			
RPIM-1.5FSN2E-DU 1~ 230V 50Hz			
DU-M1E (DRAIN PUMP KIT)			
RPI-2.0FSN2E 1~ 230V 50Hz	EPN-0806B-2A	EPN-0806B-3B	
RPI-2.5FSN2E 1~ 230V 50Hz			
RPI-3.0FSN2E 1~ 230V 50Hz		EPN-0806B-4B	
RPI-4.0FSN2E 1~ 230V 50Hz			
RPI-5.0FSN2E 1~ 230V 50Hz			
RPI-6.0FSN2E 1~ 230V 50Hz			

PRODUCT CODE
MODEL NAME

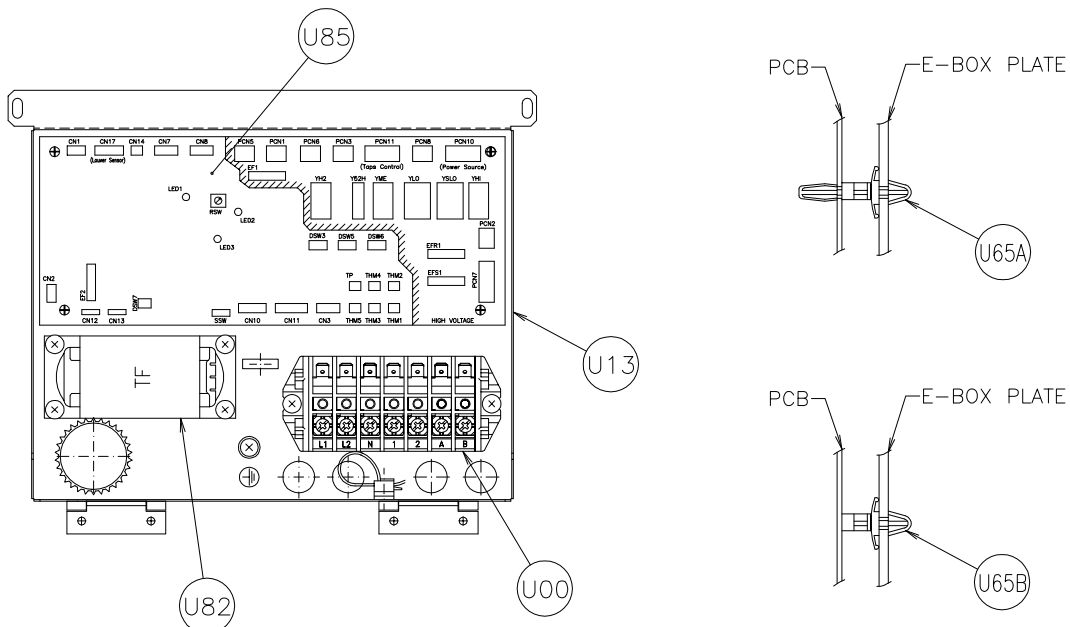
7E420000	RPI-0,8FSN2E 1 ~ 230V 50Hz
7E420001	RPI-1,0FSN2E 1 ~ 230V 50Hz
7E420002	RPI-1,5FSN2E 1 ~ 230V 50Hz
7E430000	RPIM-0,8FSN2E 1 ~ 230V 50Hz
7E430001	RPIM-1,0FSN2E 1 ~ 230V 50Hz
7E430002	RPIM-1,5FSN2E 1 ~ 230V 50Hz
7E431000	RPIM-0,8FSN2E-DU 1 ~ 230V 50Hz
7E431001	RPIM-1,0FSN2E-DU 1 ~ 230V 50Hz
7E431002	RPIM-1,5FSN2E-DU 1 ~ 230V 50Hz
7E897304	DU-M1E (Drain Pump Kit for RPI(M))

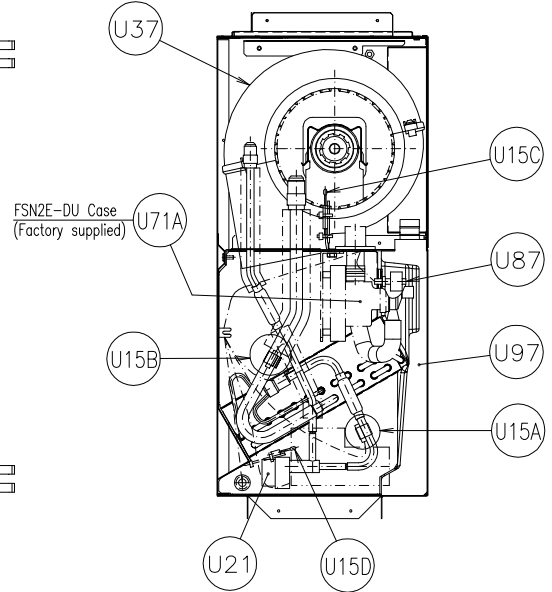
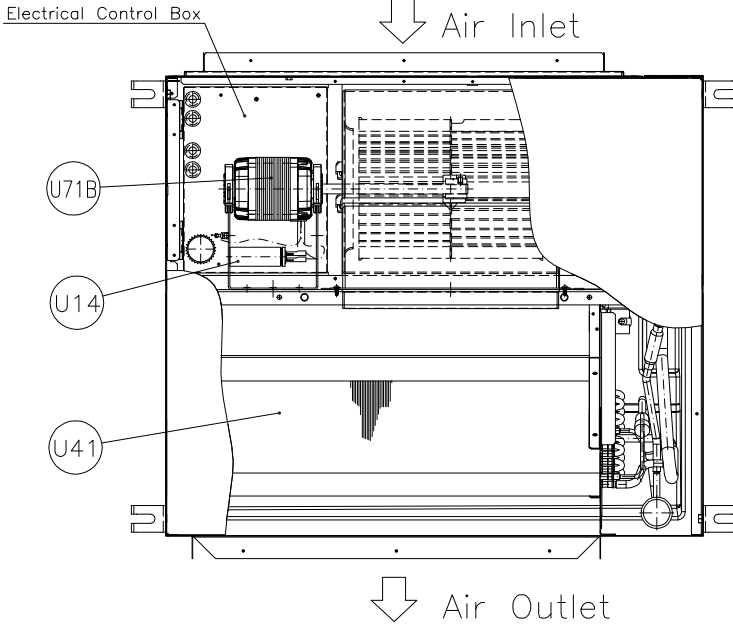
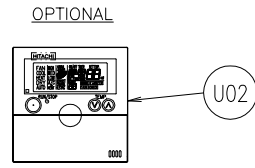
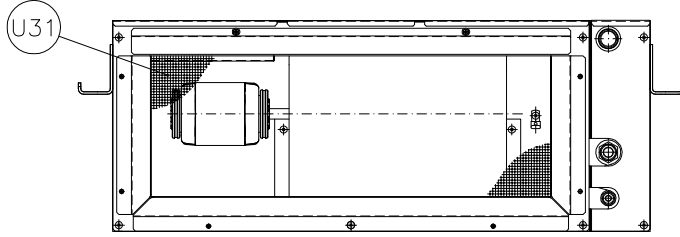
No.	DESCRIPTION	DWG No.	PART No.											REMARKS
U00	Terminal Board	XEK21159 A	E00750	1	1	1	1	1	1	1	1	1	1	
U02	Remote Control SW	7E899954	E01516	1	1	1	1	1	1	1	1	1	1	PC-P2HTE (Optional)
U02	Remote Control SW	70510000	E01693	1	1	1	1	1	1	1	1	1	1	PC-ART (Optional)
U13	Electrical Box	XEK00943 A	E01721	1	1	1								Assembly (Components + Harness)
U13	Electrical Box	XEK00944 A	E01722				1	1	1	1	1	1	1	Assembly (Components + Harness)
U14	Capacitor	XEK20633 C	E00157				1	1	1	1	1	1	1	2,5µF
U14	Capacitor	XEK20633 K	E00841	1	1									3,15µF
U14	Capacitor	XEK20633 A	E01702			1								4µF
U15A	Thermistor	17C74420 B	E00934	1	1	1								For liquid Pipe
U15A	Thermistor	17C74420 C	E01587				1	1	1	1	1	1	1	For liquid Pipe
U15B	Thermistor	17C74420 F	E00938	1	1	1								For Gas Pipe
U15B	Thermistor	17C74420 G	E01588				1	1	1	1	1	1	1	For Gas Pipe
U15C	Thermistor	XEK11209 B	E01235	1	1	1								For Inlet Air
U15C	Thermistor	XEK11209 F	E01238				1	1	1	1	1	1	1	For Inlet Air
U15D	Thermistor	XEK11209 H	E01239	1	1	1								For Outlet Air
U15D	Thermistor	XEK11209 K	E01586				1	1	1	1	1	1	1	For Outlet Air
U21	Expansion Valve	17C87881 B	E00580	1	1	1	1	1	1	1	1	1	1	
U31	Filter	XEK34696 A	E01703	1	1	1								
U31	Filter	XEK34157 A	E01570				1	1	1	1	1	1	1	
U36	Runner	17B08968 C	E00703	2	2	2								
U37	Fan Casing	17A11498 A	E00716	2	2	2								
U37	Fan Casing/Runner	XEK22366 A / XEK22367 A	E01437				1	1	1	1	1	1	1	Fan Casing + Runner
U41	Heat Exchanger	XEK11549 A	E01704	1	1									Assembly
U41	Heat Exchanger	XEK11550 A	E01705			1								Assembly
U41	Heat Exchanger	XEK11551 A	E01706				1	1		1	1			Assembly
U41	Heat Exchanger	XEK11552 A	E01707						1			1		Assembly
U65A	Spacer	XEK30992 B	P19112	4	4	4	4	4	4	4	4	4	4	For PCB Fixing
U65B	Push Spacer	XEK31888 A	E00738	2	2	2	2	2	2	2	2	2	2	For PCB Fixing
U71A	Drain Pump	17B30151 A	E01101	1	1	1				1	1	1	1	Discharge Mechanism
U71B	Fan Motor	XEK11608 A	E01712	1	1	1								
U71B	Fan Motor	XEK11607 A	E01713				1	1	1	1	1	1	1	
U82	Transformer	XEK22108 A	E01295	1	1	1	1	1	1	1	1	1	1	
U85	Printed Circuit Board	17B39483 A	E01687	1	1	1	1	1	1	1	1	1	1	PI073 (Main PCB)
U87	Float Switch	17B24618 C	E00726	1	1	1								
U87	Float Switch	17B24618 A	E01038				1	1	1	1	1	1	1	
U97	Drain Pan	XEK22895 A	E01714	1	1	1								Assembly
U97	Drain Pan	XEK22577 A	E01573				1	1	1	1	1	1	1	Assembly

No.	DESCRIPTION	DWG No.	PART No.	MODEL NAME						REMARKS
				RPI-2.0FSN2E 1~230V 50Hz	RPI-2.5FSN2E 1~230V 50Hz	RPI-3.0FSN2E 1~230V 50Hz	RPI-4.0FSN2E 1~230V 50Hz	RPI-5.0FSN2E 1~230V 50Hz	RPI-6.0FSN2E 1~230V 50Hz	
U00	Terminal Board	XEK21159 A	E00750	1	1	1	1	1	1	
U02	Remote Control SW	7E899954	E01516	1	1	1	1	1	1	PC-P2HTE (Optional)
U02	Remote Control SW	70510000	E01693	1	1	1	1	1	1	PC-ART (Optional)
U13	Electrical Box	XEK00945 A	E01723	1	1	1	1	1	1	Assembly (Components + Harness)
U14	Capacitor	XEK22969 A	E01697	1						2µF
U14	Capacitor	XEK22969 B	E01698		1					3,15µF
U14	Capacitor	XEK22969 C	E01699				1			5µF
U14	Capacitor	XEK22969 D	E01700			1		1		6,3µF
U14	Capacitor	XEK22969 E	E01701						1	8µF
U15A	Thermistor	17C74420 B	E00934	1	1	1	1	1	1	For liquid Pipe
U15B	Thermistor	17C74420 F	E00938	1	1	1	1	1	1	For Gas Pipe
U15C	Thermistor	XEK11209 A	E01203	1	1	1	1	1	1	For Inlet Air
U15D	Thermistor	XEK11209 H	E01239	1	1	1	1	1	1	For Outlet Air
U21	Expansion Valve	17C87881 B	E00580	1						
U21	Expansion Valve	17C87882 B	E00856		1	1	1			
U21	Expansion Valve	17C87883 B	E01716					1	1	
U31	Filter	XEK33880 A	E01434	1	1	1				
U31	Filter	XEK33881 A	E01435				1	1	1	
U37	Fan Casing/Runner	XEK22366 A / XEK22367 A	E01437	2	2	2	2	2	2	Fan Casing + Runner
U41	Heat Exchanger	XEK11553 A	E01708	1						Assembly
U41	Heat Exchanger	XEK11554 A	E01709		1	1				Assembly
U41	Heat Exchanger	XEK11555 A	E01710				1			Assembly
U41	Heat Exchanger	XEK11556 A	E01711					1	1	Assembly
U65A	Spacer	XEK30992 B	P19112	4	4	4	4	4	4	For PCB Fixing
U65B	Push Spacer	XEK31888 A	E00738	2	2	2	2	2	2	For PCB Fixing
U71A	Drain Pump	17B30151 A	E01101	1	1	1	1	1	1	Discharge Mechanism
U71B	Fan Motor	XEK11387 A	E01438	1	1					
U71B	Fan Motor	XEK11388 A	E01439			1				
U71B	Fan Motor	XEK11389 A	E01440				1	1		
U71B	Fan Motor	XEK11390 A	E01441						1	
U82	Transformer	XEK22108 A	E01295	1	1	1	1	1	1	
U85	Printed Circuit Board	17B39483 A	E01687	1	1	1	1	1	1	PI073 (Main PCB)
U87	Float Switch	17B24618 C	E00726	1	1	1	1	1	1	
U97	Drain Pan	XEK22895 A	E01714	1	1	1				Assembly
U97	Drain Pan	XEK22896 A	E01715				1	1	1	Assembly



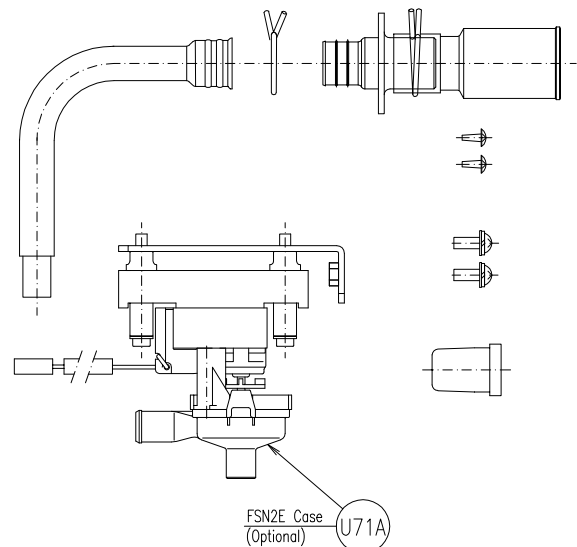
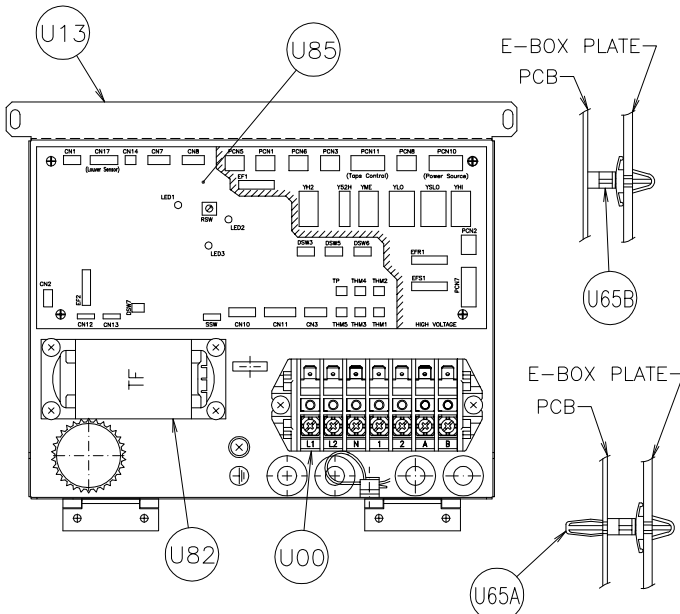
LOCATION OF ELECTRICAL EQUIPMENT IN THE ELECTRICAL BO

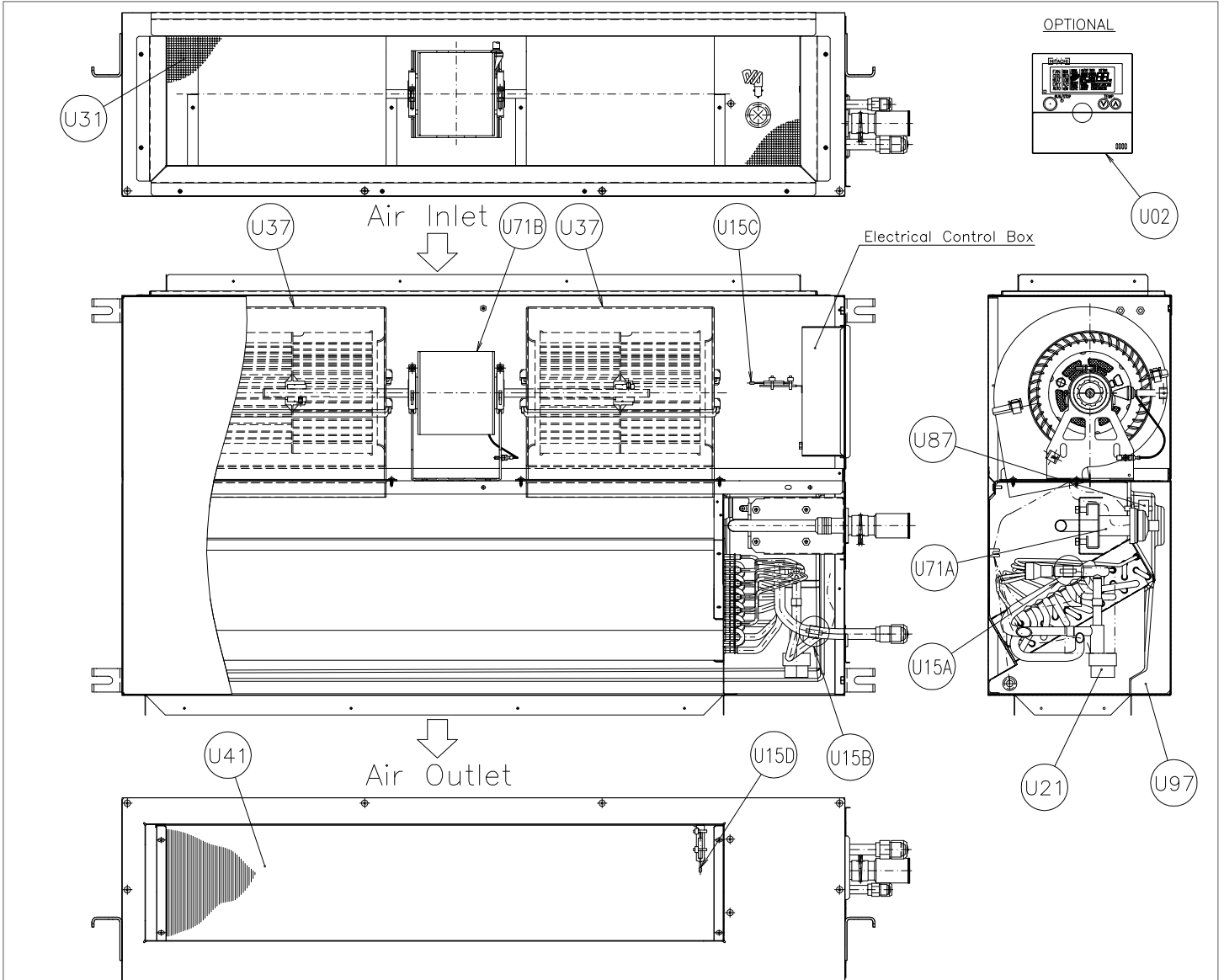




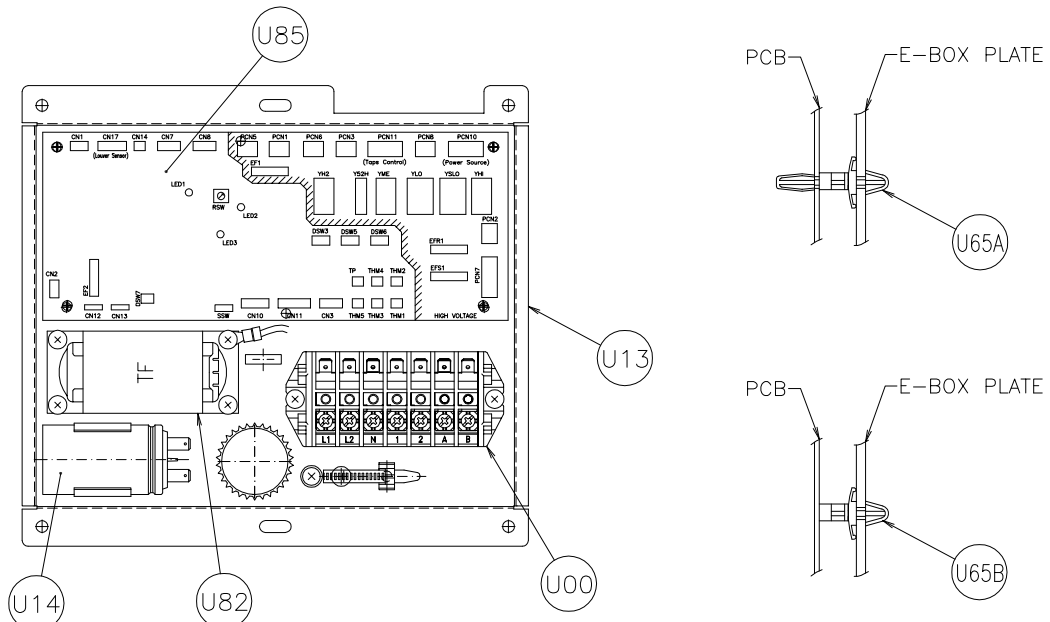
LOCATION OF ELECTRICAL EQUIPMEN IN THE ELECTRICAL BOX

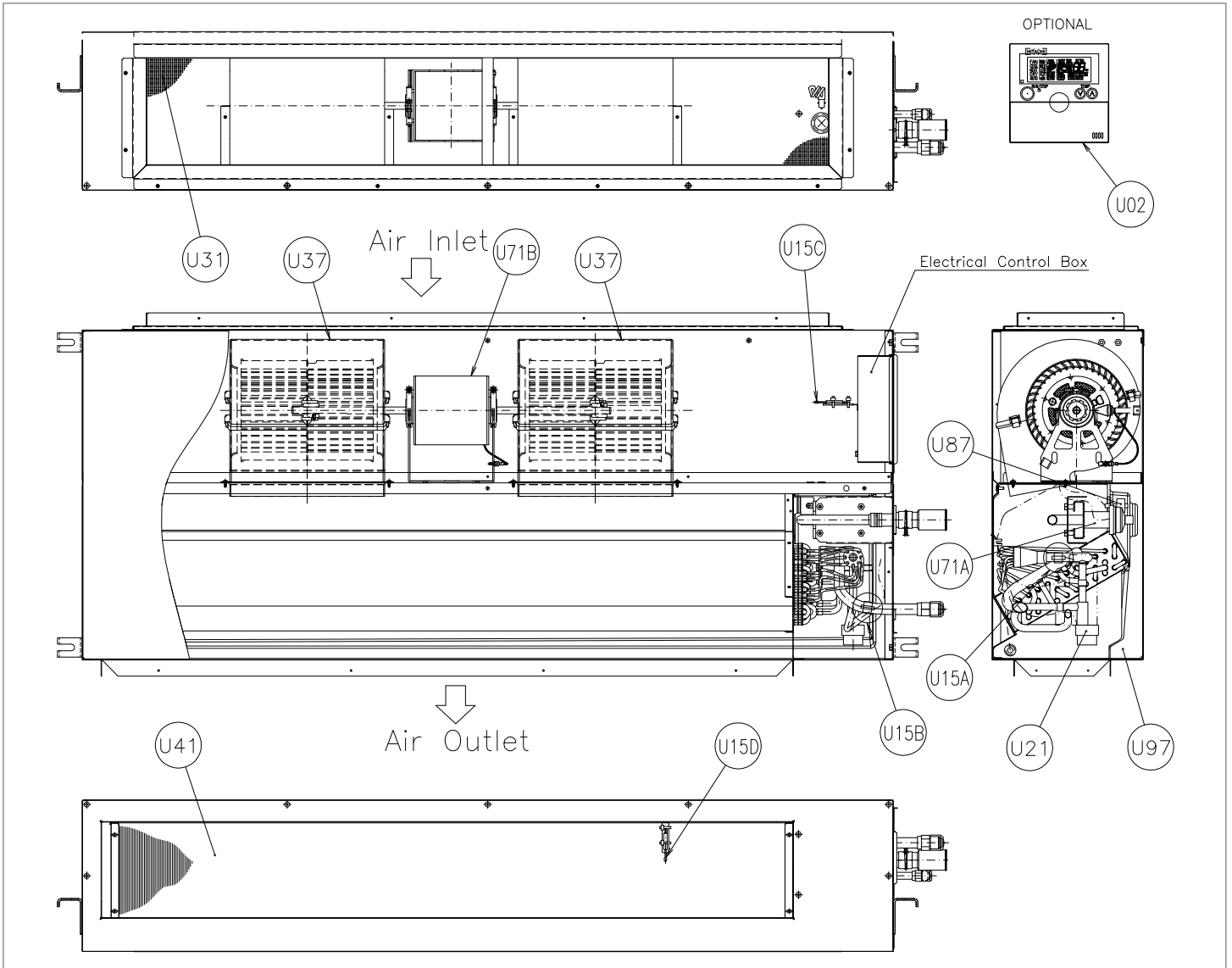
DRAIN PUMP KIT DU-M1E (OPTIONAL ACCESSORY FOR FSN2E MODELS)





LOCATION OF ELECTRICAL EQUIPMENT IN THE ELECTRICAL BO





LOCATION OF ELECTRICAL EQUIPMENT IN THE ELECTRICAL BO

