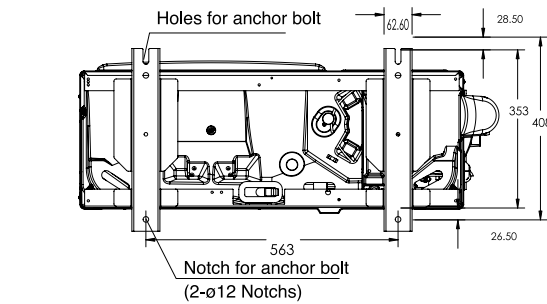
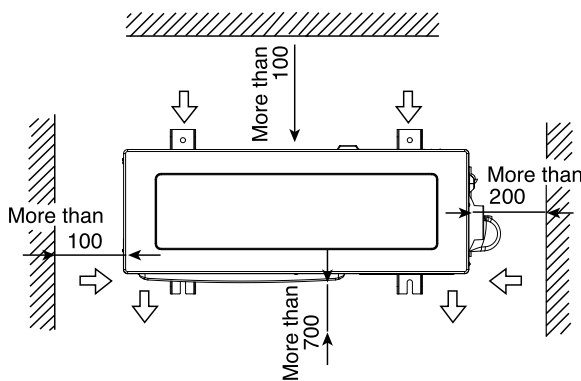


Air Outlet



Service space



Note:

1. Insulated pipes should be used for both small and large diameter pipes.
2. Piping length should be within 25m for one room and within 45m in total.
3. Height difference of piping between indoor unit and outdoor unit should be within 20m.
4. Overhead clearance of outdoor unit should be 200mm to allow servicing.
5. For electrical connection, please refer to the installation manual.